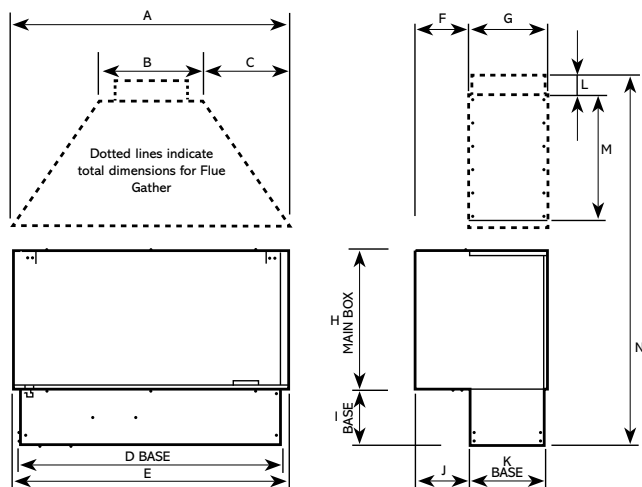


# Studio 1, 2 & 3 Fire Information

## Additional Information For Open Fronted Studio Fires (mm)

Appliance dimensions (mm)



Dimension		Studio 1	Studio 2	Studio 3
A	Gather width	664	864	1254
B	Gather top	250	250	325
C	Gather taper	207	307	465
D	Base width	635	835	1225
E**	Box width	660	860	1250
F	Max. lintel width	130	130	130
G	Gather depth	187	187	187
H**	Box height	334	334	334
I*	Base height	133	133	133
J	Base depth	130	130	130
K	Base	182	182	182
L	Spigot height	50	50	50
M	Gather height	300	300	700
N	Total height	817	817	1217

\* adjustable feet can increase base height by up to 235 mm

\*\* If installed with one of the Studio frames, a 5mm space must be left around the front edge of the appliance.

## CHIMNEY TYPES

Studio 1

- **Class 1 brick built flue**
  - Can be fitted without the optional flue gather if the chimney is sound.
  - If the optional gather is used, then it must be connected to a 7" flexible flue liner suitable for gas.
- **Pre-fabricated 7" twin wall flue system suitable for gas**
  - Must be fitted with the optional flue gather.

Studio 2 and 3

- **Class 1 brick built flue**
  - Must be fitted with the flue gather.
- **Pre-fabricated 7" twin wall flue system suitable for gas**
  - Must be fitted with the flue gather.

**Note:** it is possible to install the Studio 2 and 3 into a Class 1 brick flue. However, this type of installation should only be undertaken by chimney specialists. This is because it will require the front wall and structure of the chimney breast to be extensively cut away to allow enough width to fit the fire and also provide access to the top of the gather to allow either -

- Connection of a 7" flexible flue liner suitable for gas
- Creation of a smooth transition between the top of the gather and the flue

Please note that carbon/soot deposits may be visible on inner back wall of the Open Fronted Studio fires due to variances in performance of flue systems, particularly in different prevailing weather conditions

## Additional Information For Glass Fronted Studio Fires (mm)

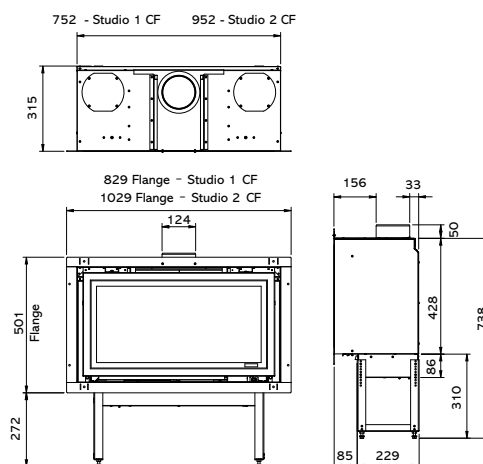
### Conventional Flue Installation

The conventionally flued Glass Fronted Studio has been designed with ease of installation in mind and can be installed two ways:

- 1) Direct connection to a 5" flue liner or 5" twin wall gas vent system
- 2) No additional fluing is needed when it is installed into an existing builders opening below a masonry chimney and sealed to the fireplace opening (assuming that the chimney is of sound construction).

\* For more Balanced Flue information and options please refer to our Concentric Flue System brochure which can be viewed or downloaded from the Gazco brochures page.

### Conventional Flue



### Balanced Flue\*

