

STOVAX

Fire Your Imagination

Classic Fireplaces



Cast Inserts, Tiled Inserts & Tiled Fronts

For use with Solid Fuel Grates and Gazco Gas Fires

Instructions for Use & Installation

IMPORTANT

THE OUTER CASING AND FRONT PANEL BECOME EXTREMELY HOT DURING OPERATION AND WILL RESULT IN SERIOUS INJURY AND BURNS IF TOUCHED. IT IS THEREFORE RECOMMENDED THAT A FIREGUARD COMPLYING WITH BS 8423 (LATEST EDITION) IS USED IN THE PRESENCE OF YOUNG CHILDREN, THE ELDERLY OR INFIRM.

Do not attempt to burn rubbish in this appliance.

Please read these Instructions carefully before installation or use.

Keep them in a safe place for future reference and when servicing the fire.

For Solid Fuel Installations:

The commissioning sheet found on page 3 of these instructions should be completed by the Installer.

For Gas Installations:

The commissioning sheet found on page 3 of the instructions supplied with the gas appliance and **MUST** be completed by the Installer.

Contents

Classic Fireplaces - Tiled Fronts & Cast Inserts

Covering the following models:

Tiled Fronts

Model		Fuel Type	Matt Black	Highlight Polished	Fully Polished
Victorian	Floral Hood	Solid Fuel	6920	6923	-
	Classical Hood		6921	6924	-
	Tiled Hood		6922	6925	-
Art Nouveau		Solid Fuel	6926	-	6927
		Gas			

Cast Inserts

Model		Fuel Type	Matt Black	Highlight Polished	Fully Polished
Victorian	Floral Hood	Solid Fuel	6910	6911	-
	Classical Hood		6912	6913	-
	Tiled Hood		6914	6915	-
Art Nouveau		Solid Fuel	6916	-	6917
		Gas	6918	-	6919
Adelaide		Solid Fuel/ Gas	4248	-	4250
Combination		Solid Fuel / Gas	4359	4360	-
Classical Arched		Solid Fuel / Gas	4386	4386HP	4387
Decorative Arched		Solid Fuel / Gas	4389	4389HP	4390

Installation Instructions4

Site Requirements4

Fireplace Dimensions8

Installation Instructions11

Commissioning15

User Instructions - Solid Fuel17

Maintenance & Servicing - Solid Fuel21

Appliance Commissioning Checklist

To assist us in any guarantee claim please complete the following information:-

Dealer appliance was purchased from:

Name: _____

Address: _____

Telephone number: _____

Essential information - MUST be completed:

Date Installed: _____

Model Description: _____

Serial Number: _____

Installation Engineer:

Company Name: _____

Address: _____

Telephone number: _____

Commissioning Checks - to be completed and signed:

Is flue system correct for the appliance:	YES <input type="checkbox"/>	NO <input type="checkbox"/>
Flue swept and soundness test complete:	YES <input type="checkbox"/>	NO <input type="checkbox"/>
Smoke test completed on installed appliance	YES <input type="checkbox"/>	NO <input type="checkbox"/>
Spillage test completed	YES <input type="checkbox"/>	NO <input type="checkbox"/>
Use of appliance and operation of controls explained	YES <input type="checkbox"/>	NO <input type="checkbox"/>
Clearance to combustible materials checked	YES <input type="checkbox"/>	NO <input type="checkbox"/>
Instruction book handed to customer	YES <input type="checkbox"/>	NO <input type="checkbox"/>
CO Alarm Fitted	YES <input type="checkbox"/>	NO <input type="checkbox"/>

Signature: Print Name:

Site Requirements

General

Before installation of this product please read these instructions fully.

It is very important to understand the requirements of the UK Building Regulations (England and Wales – Document J / Scotland - Part F), along with any local regulations, and working practices that may apply. Should any conflict occur between these instructions and these regulations then the regulations shall apply.

Your local Building Control Office would be happy to advise should questions arise, regarding the requirements of the regulations.

Any electrical connections made whilst fitting this fireplace should meet the requirements of UK Building Regulations (England and Wales – Document P / Scotland - Part N).

Any solid fuel appliance installation completed in conjunction with this fireplace should be fitted by a HETAS (GB only) registered installer, or approved by your local building control officer.

Any gas appliance installation completed in conjunction with this fireplace must be completed by a GAS SAFE registered gas engineer, in accordance with the manufactures installation instructions.

The completed installation and building works should comply with the responsibilities highlighted under the Health and Safety at Work Acts.

1. Flues

- 1.1 The entire length of the flue system, including the type and position of exit from the building, must meet the requirements of the Building Regulations and be suitable for the type of heating appliance to be installed.
- 1.2 Confirm any existing flue or chimney as suitable for the new intended use and must be inspected and swept if necessary by a NACS registered (UK only) chimney sweep.

Note: A guide containing general information on Chimneys and Flues is obtainable from: -
The British Flue & Chimney Manufacturers' Association, FETA

2 Waltham Court, Milley Lane,
Hare Hatch,
Reading,
Bucks ,
RG10 9TH
Tel : - 01189 403416 e-mail :- info@feta.co.uk

If any of these checks reveal problems do not proceed with the fitting of the fireplace until they have been rectified.

- 1.3 Where a hearth, fireplace, flue or chimney is provided or extended (including cases where a flue is provided as part of refurbishment work), information essential to the correct appliance and use of these should be permanently posted in the building, to meet Requirement J4 of the Building Regulations (England and Wales), F3.12 (Scotland).

2. Ventilation

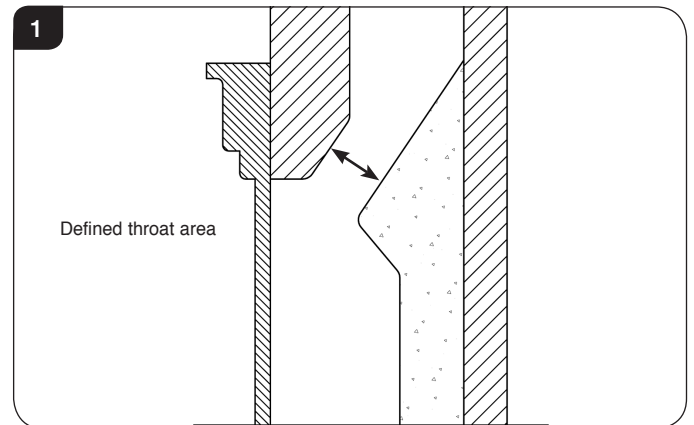
- 2.1 If the fireplace is to be used with a gas or solid fuel burning product, additional ventilation may be required. This should be of a size and type which meets the requirements of the Building Regulations for the type of fire to be fitted and the fuel to be used.

For Gas products consult the installation instructions provided.

For Solid Fuel products please read below.

- 2.2 To ensure safe combustion and effective flue performance all Stovax solid fuel Classic Fireplaces need additional ventilation to be provided for the room where the product is fitted.
- 2.3 An inadequate air supply can result in poor combustion and smoke entering the room which is potentially dangerous.
- 2.4 The amount of air required must comply with local building regulations and the rules in force.
- 2.5 If spillage is detected during commissioning then there may be insufficient ventilation, and additional air may be required.
- 2.6 Ventilation requirements in the UK are:

If the installed fireplace has a defined throat area: 50% of the throat area.

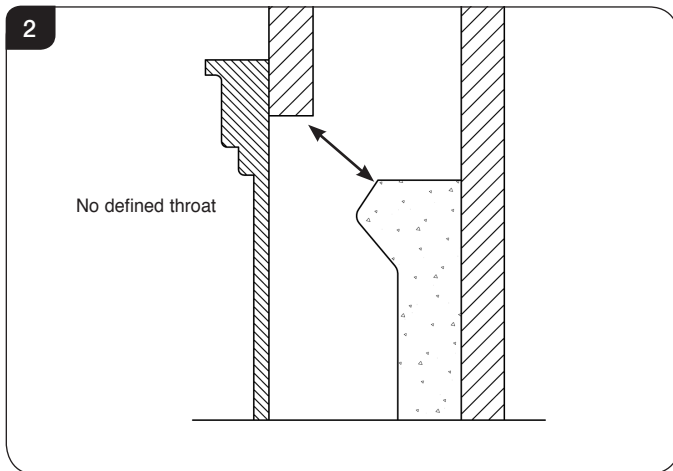


Example of a worked calculation to show the correct combustion air requirements

For a 400mm nominal width fireplace the average throat width will be	
$\frac{3}{4}$ of fireplace opening width	= $\frac{3}{4} \times 400 = 300\text{mm}$
Depth of throat	= $110\text{mm} \pm 10\text{mm}$
Therefore, area of throat	= average width x depth
	= 300×110
	= 33000mm^2
Air vent (free area)	= 50% of throat
	= $33000\text{mm}^2 / 2$
	= 16500mm^2 or 165cm^2

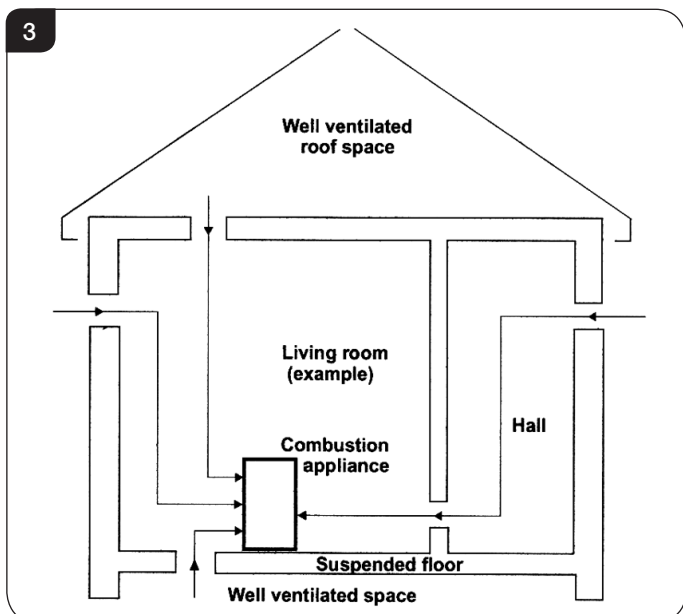
Site Requirements

If the installed fireplace does not have a defined throat area: 50% of the area of the flue.



Example of a worked calculation to show the correct combustion air requirement and vent size	
A fireplace 600mm wide x 1000mm high	
Fireplace area	= 1000 x 600 = 600,000mm ²
Therefore required flue area (of 15%)	= (600000 x 15) and ± 100 = 90000mm ²
For square flue	
Flue size	= √90000 = 300mm x 300mm
Vent size (free area)	= 50% of flue area = 90000 ÷ 2 = 45000mm ²
Therefore vent size	= 45000mm ² or 450cm ²

- 2.7 Permanent air vents should be non-adjustable and positioned where they are unlikely to become blocked.
- 2.8 If vents open into adjoining rooms or spaces there must be an air vent of at least the same size direct to the outside.
- 2.9 Site the vents where cold draught is unlikely to cause discomfort. This can be avoided by placing vents near ceilings or close to the appliance, see Diagram 3.



- 2.10 Extractor fans or cooker hoods must not be placed in the same room or space as this can cause the appliance to emit fumes into the room.
- 2.11 Increase air supply provisions where a room contains multiple appliances.
- 2.12 **If any checks reveal problems do not proceed with the fitting of the appliance until they have been rectified.**

3. Fireplace Opening

- 3.1 Fireplace recess and opening must be constructed entirely using suitable non-combustible materials.
- 3.2 The floor must have a suitable load-bearing capacity to support the hearth and appliance.

Consult a structural engineer for advice before proceeding.
- 3.3 When fitting into an existing fireplace check that the hearth complies with current construction regulations and is at least the minimum sizes shown.
- 3.4 If there is no existing fireplace or chimney it is possible to construct a suitable non-combustible housing and hearth setting. The flue must be installed in accordance with all local and national regulations and current rules in force.†

Check if adding a new chimney to your property requires planning permission.
- 3.5 Some houses are built using a timber frame construction with high levels of thermal insulation. Isolate the appliance from combustible materials, and provide sufficient ventilation to maintain the heating efficiency.
- 3.6 It is important to ensure that the fireplace opening is as flat as possible and can form a 90° angle to the hearth. Any bowing of the wall or lumps will make the fitting of the mantel difficult.
- 3.7 The surface of the fireplace opening must be clean, dry and its secure to support the weight of the mantel. **There must be no surface coatings which could peel away such as wall paper or paint.**

i † England and Wales – Document J / Scotland - Part F/Document J (Republic of Ireland only)
‡ the latest edition of BS 8303, BS EN 15287, BS 7566

Site Requirements

4. Builders Opening

If possible make the opening larger than the minimum requirements to ease installation. Please refer to the dimensions table.

- 4.1 Many fireplace openings have a supporting lintel. Remove the covering plaster to identify its position before starting any constructive work. Do not remove constructional lintels without making provision to support the remaining structure of the building.
The appliance must not form any part of the supporting structure.
- 4.2 The structure of the builders opening will reach high temperatures. Use insulating blockwork to reduce the heat transfer to the external walls, in particular the area of the chimney breast above the opening.
- 4.3 **Take care when finishing the chimney breast and surrounding area. The conducted and convected heat emitted by the appliance could be high enough to crack normal plaster. Use a high temperature plaster, or face the area with a suitable high temperature plasterboard. New plaster should be fully dried before the appliance is used or cracking could occur.**

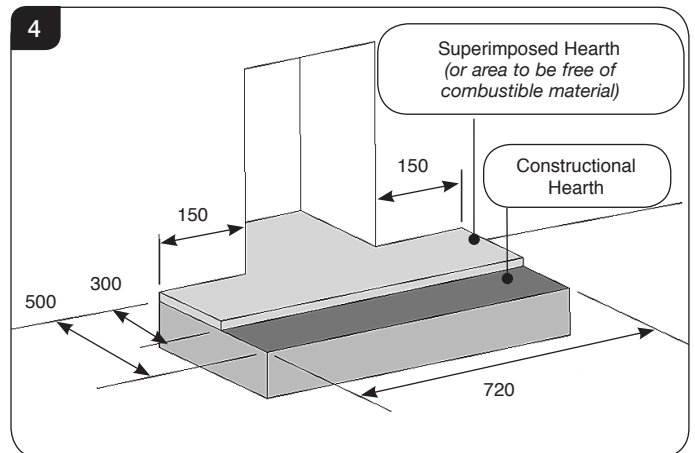
If in any doubt about the ability to produce a safe opening contact your Stovax retailer or installer* for professional advice.

5. Hearths - General

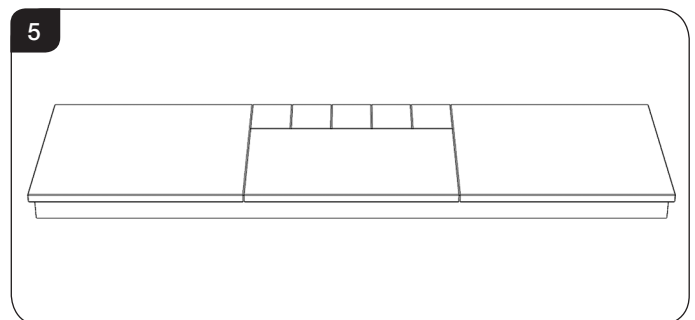
- 5.1 The hearth must meet the requirements of the Building Regulations and be suitable for the type of heating appliance to be installed.
- 5.2 One of the most important starting points for the successful installation of this mantel is to ensure that the hearth is as level as possible and forms a 90° angle to the fireplace opening.

5a. Hearths - Solid Fuel

- 5a.1 Solid fuel appliances require a constructional hearth (usually made from concrete) at least 125mm thick and extend in front of the fireplace opening by at least 500mm and extend wider than the fireplace opening by 150mm on each side.
- 5a.2 On top of the constructional hearth it is usual to fit a decorative superimposed hearth made from non-combustible materials. The superimposed hearth must extend in front of the fireplace opening by at least 300mm and extend wider than the fireplace opening by 150mm on each side. The periphery of the superimposed hearth must mark a change in level from the surrounding floor to provide a tactile barrier.



- 5a.3 For solid fuel fires the hearth must not be in one piece to reduce the risk of thermal shock fracture. It is recommended to have at least three pieces or preferably more, see Diagram 5.



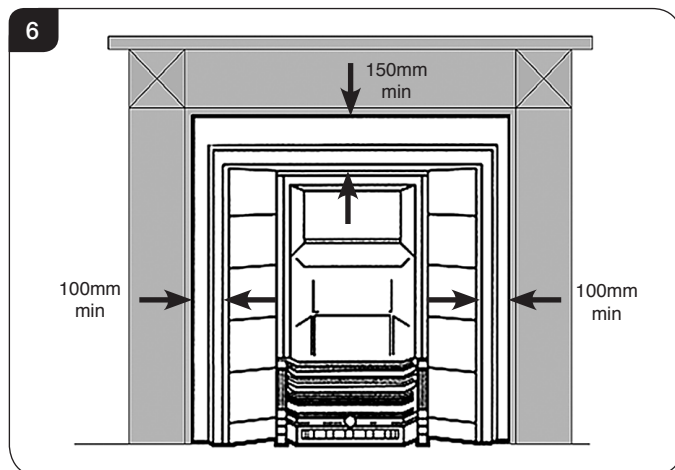
Use dark materials such as slate or granite for a solid fuel hearth as it is very difficult to keep light materials clean.

5b. Hearths - Gas

- 5b.1 Gas appliances only require a decorative hearth made from non-combustible materials at least 12mm thick and must extend in front of the fireplace opening by at least 300mm and extend wider than the fireplace opening by 150mm on each side.

6. Fire Surround Clearances

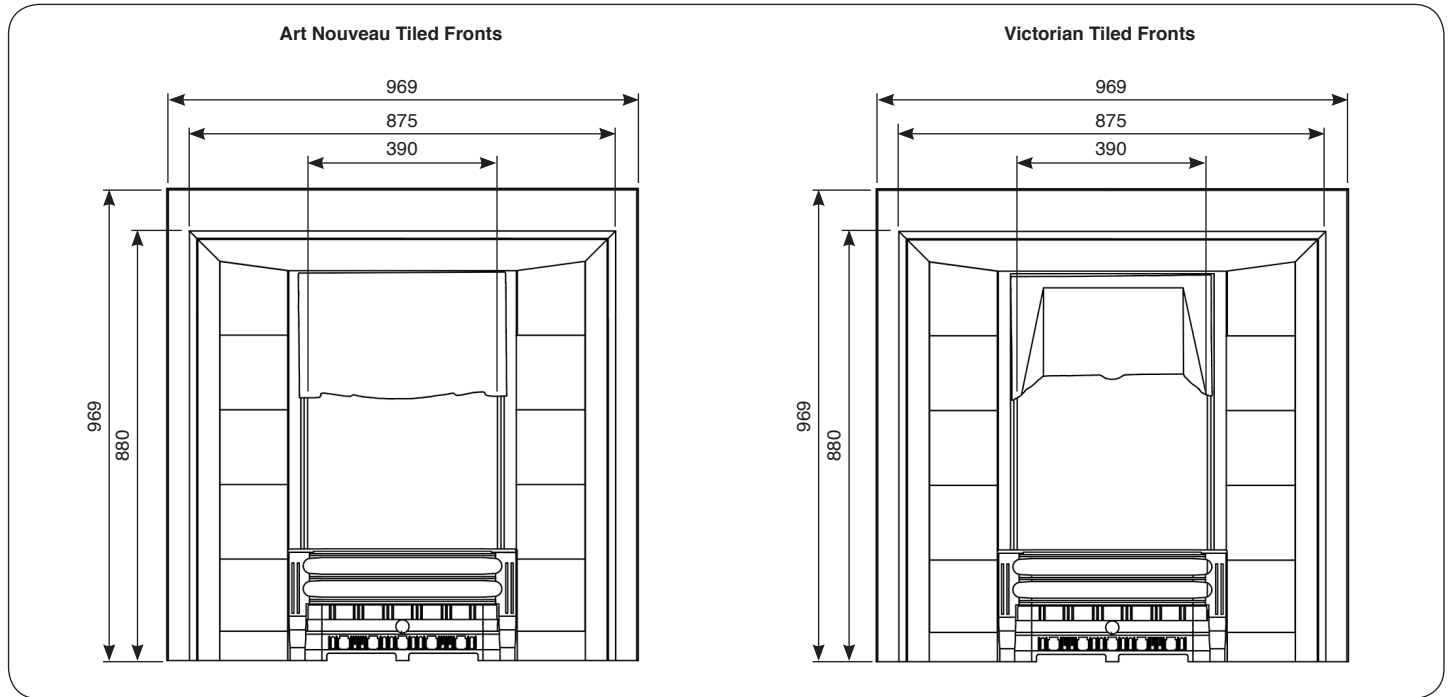
If the fireplace is to be fitted with a combustible (wooden) fire surround, in the absence of any specific manufacturers instructions, the surround must clear all decorative detail and fall beyond the **minimum** clearances from the fire opening as shown in Diagram 6, below. Insulation, e.g. ceramic tape, must be applied where the metal fireplace touches a metal surround. Stovax produce a selection of surrounds. Details can be obtained from your retailer or online at www.stovax.com.



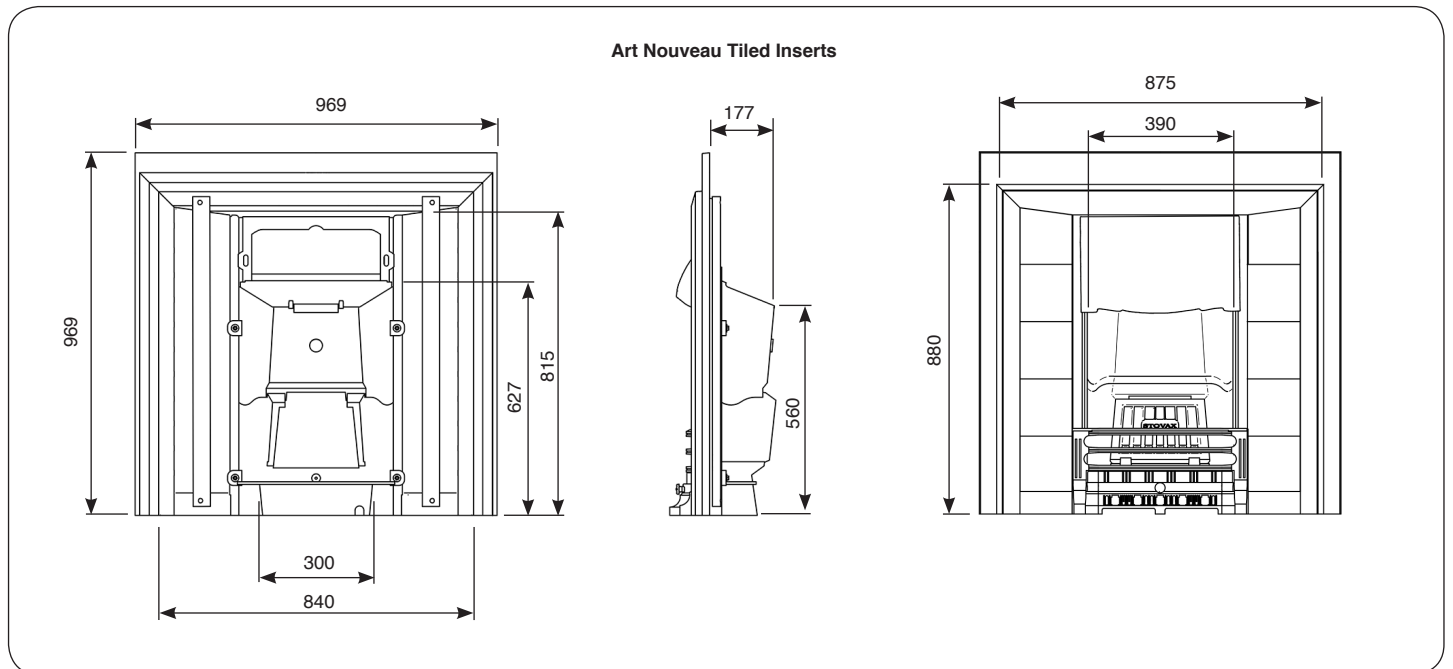
- 6.1 Some finishes may discolour with heat and some lower quality products may distort, or crack, when in use, if in doubt use larger clearances.
If stone / granite / marble or any other natural material is used to construct the fire surround, or any part of it, provision should be made for expansion and movement of the parts due to heating and cooling.
- If you are in any doubt about the installation requirements, or suitability of fire surrounds contact your Stovax retailer.**
- 6.2 All fire surrounds should be suitable for use with solid fuel heating products.

Technical Specification

1a. Dimensions - Tiled Fronts



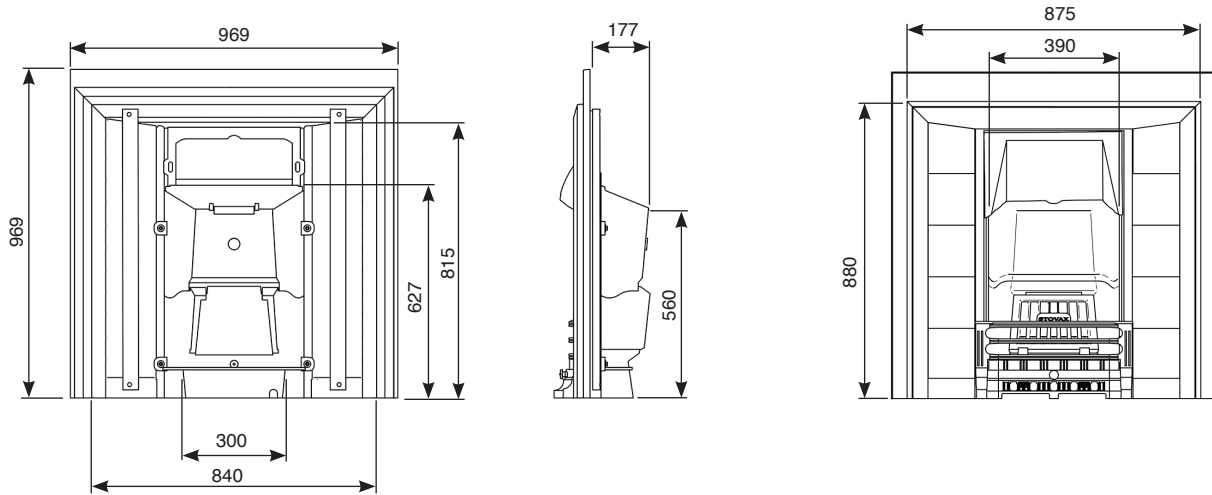
1b. Dimensions - Tiled and Cast Inserts



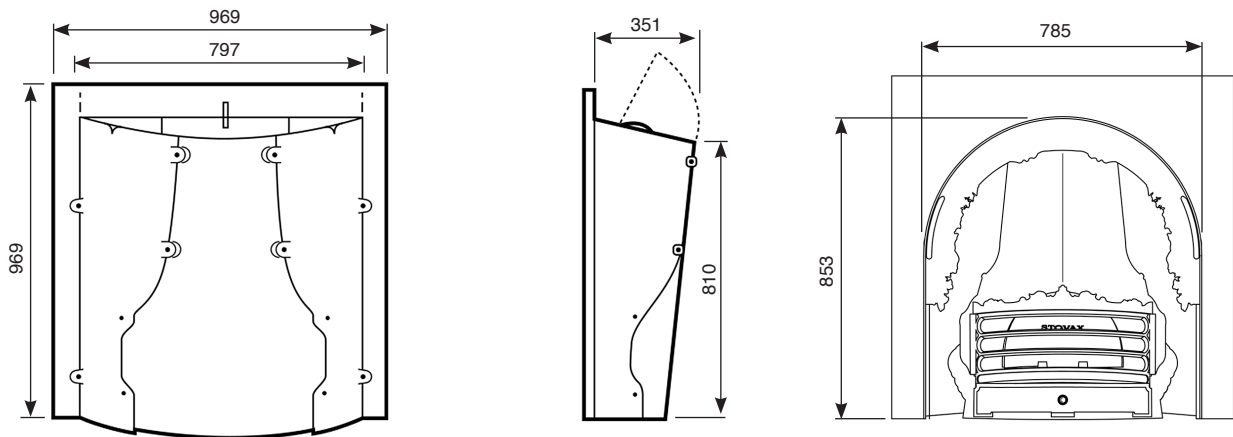
Technical Specification

1b. Dimensions - Tiled and Cast Inserts - Continued

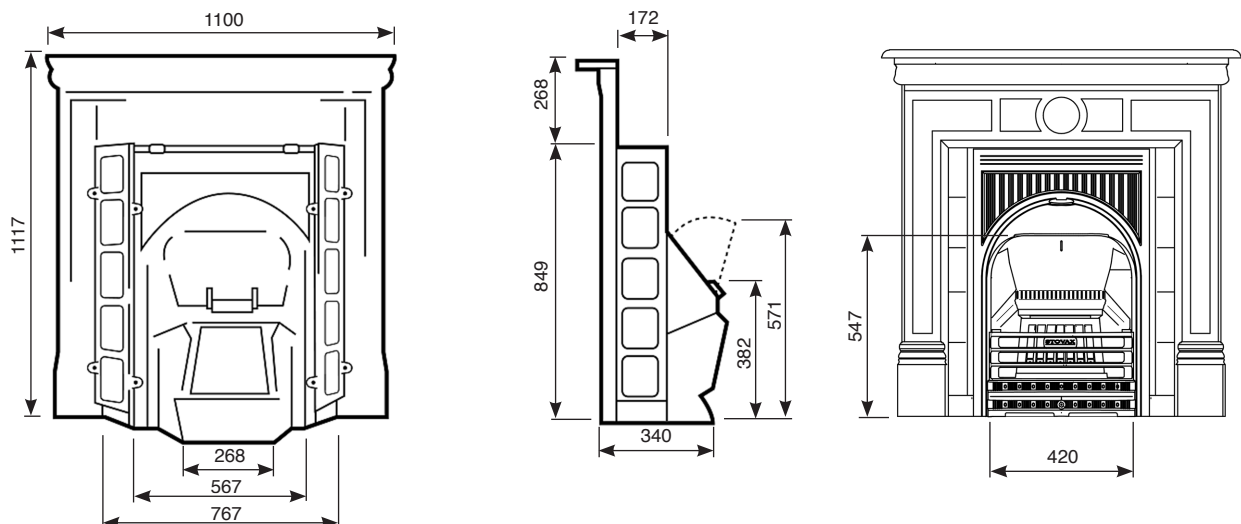
Victorian Tiled Inserts



Adelaide Inserts



Combination Tiled Inserts

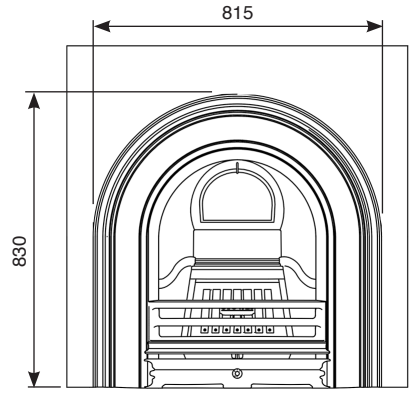
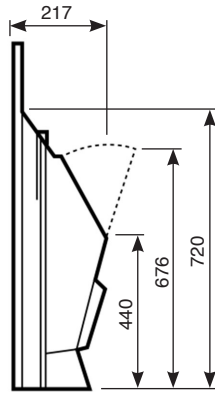
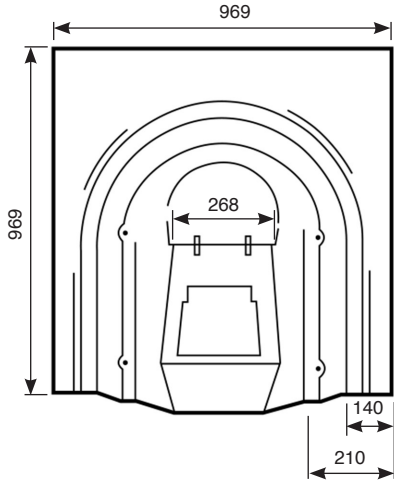


All dimensions are in mm (25.4mm = 1")

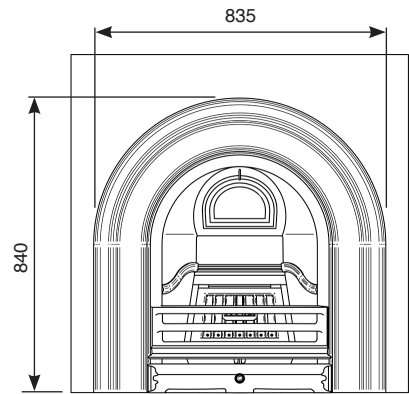
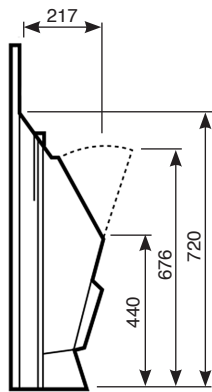
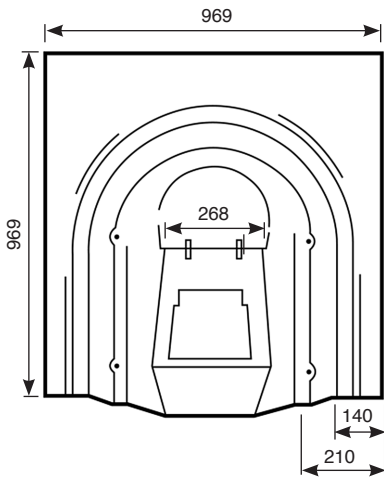
Technical Specification

1b. Dimensions - Tiled and Cast Inserts - Continued

Classical Arched Inserts



Decorative Arched Inserts



All dimensions are in mm (25.4mm = 1")

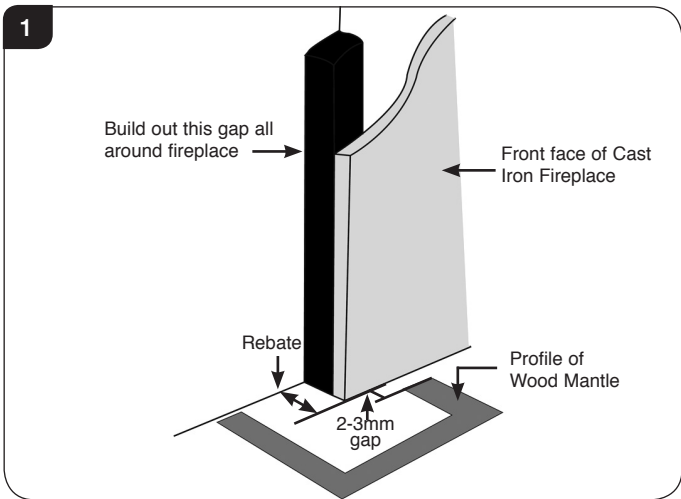
Installation Instructions

1. Installation Victorian & Art Nouveau Tiled Fronts (6920/ 6921/ 6922/ 6923/ 6924/ 6925/ 6926/ 6927)

Tiled Fronts can only be installed into a Milner Brick fireplace.

ENSURE THAT THE FLOOR OF THE FIREPLACE OPENING IS LEVEL WITH THE PROJECTING HEARTH SURFACE. IF A CEMENT INFILL IS REQUIRED TO ACHIEVE THIS, DO NOT PROCEED WITH THE INSTALLATION UNTIL THE CEMENT IS COMPLETELY DRY.

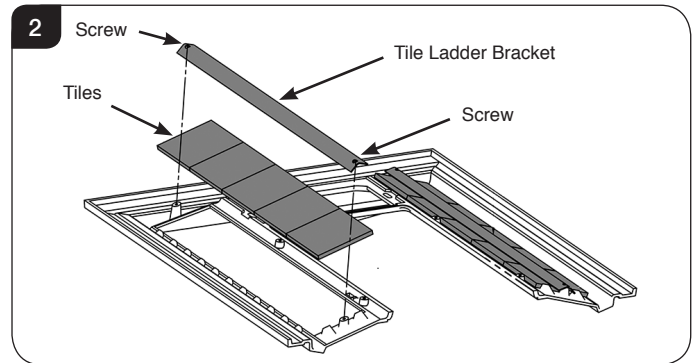
- 1.1 Protect the surface of the hearth before proceeding.
- 1.2 Measure the rebate of the mantel and the thickness of the cast iron where it will butt up to the mantel.
- 1.3 Build out the fireplace so the cast iron can be firmly fixed back leaving 2 – 3mm gap to the rebate of the mantel.



- 1.4 Build out the vertical sides of the fireplace opening using bricks or blocks cut to the right thickness.
- 1.5 Build out the top of the fireplace opening using a purpose made lintel or using metal sections.
- 1.6 If a Milner Brick is already fitted reduce the volume of the fireplace recess to within 50 – 75mm of the back face of the cast iron insert.
- 1.7 Drill holes in the edge of the cast iron front, ideally in the four corners, so that the fixings will not be seen when the mantel is in position. Drill corresponding holes in the wall.
- 1.8 Fit non-combustible/high temperature wall plugs in the wall in preparation for fitting.

To fit the tiles:

- 1.9 The tiles must be fitted to the Tiled Cast Front prior to being secured to the wall.
- 1.10 Carefully lay the Tiled Front Casting face down, on a soft, flat surface, to gain access to the rear.
- 1.11 Remove the top and bottom screws to remove the 2 tile ladder brackets, see Diagram 2.



- 1.12 Carefully position the tiles and replace the tile ladder brackets. Secure with the 2 screws, see Diagram 2.

Caution: Do not overtighten the tile bar as this may crack the tiles.

- 1.13 Position the Tiled Front Casting centrally in the fireplace opening against the wall. Place the surround (mantelpiece) in position and, holding the surround firmly against the wall, pull the Tiled Front Casting forward until it touches the rear of the surround. The Tiled Front Casting is now in the correct position. Mark the position and securely fix the panel to the wall. The surround can be removed while this is completed.
- 1.14 **Seal thoroughly around the entire perimeter of the fireplace with non-combustible material such as fibreglass rope seal or Stovax fire cement to form an air-tight seal to ensure no products of combustion can enter the room.**
- 1.15 Parge the top edge of the Tiled Front where it joins the fireplace opening with lime based mortar to improve the seal in this area.

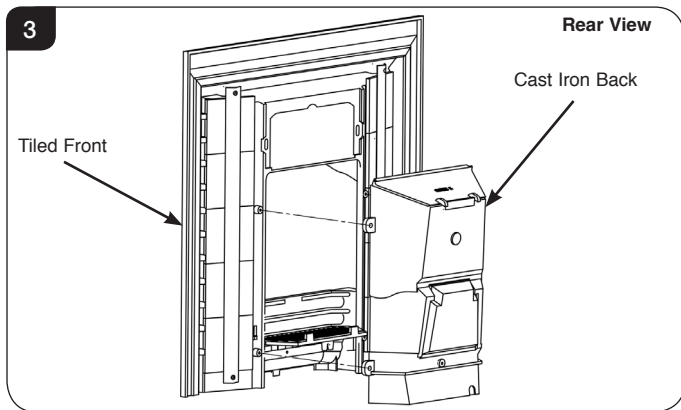
NOTE: Never use Portland cement mortar in chimneys and fireplaces. A lime based mortar will allow expansion and movement and reduce the risk of cracking.

Installation Instructions

Converting Tiled Front to Cast Insert

It is possible to convert the Victorian and Art Nouveau Tiled Fronts to Cast Inserts by fitting a Cast Iron Back Panel (Part No. 4444).

- 1.16 Position the Cast Iron Back behind the Tiled Front and secure with the screws supplied, see Diagram 3.



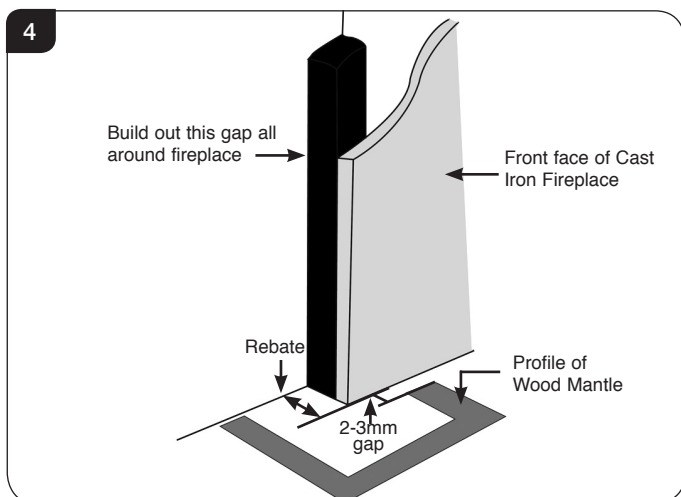
- 1.17 Install following method described in Installation Section 2.

2. Installation - Cast Inserts

Cast Inserts are complete fireplaces that should be installed into a builders opening complying with the site requirements on page 5.

ENSURE THAT THE FLOOR OF THE FIREPLACE OPENING IS LEVEL WITH THE PROJECTING HEARTH SURFACE. IF A CEMENT INFILL IS REQUIRED TO ACHIEVE THIS, DO NOT PROCEED WITH THE INSTALLATION UNTIL THE CEMENT IS COMPLETELY DRY.

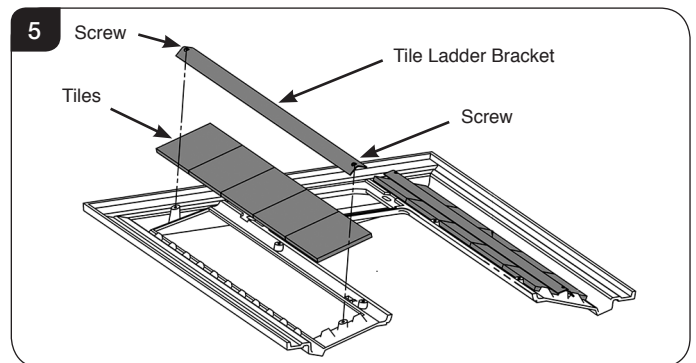
- 2.1 Protect the surface of the hearth before proceeding.
 2.2 Measure the rebate of the mantel and the thickness of the cast iron where it will butt up to the mantel.
 2.3 Build out the fireplace so the cast iron can be firmly fixed back leaving 2 – 3mm gap to the rebate of the mantel.



- 2.4 Build out the vertical sides of the fireplace opening using bricks or blocks cut to the right thickness.
 2.5 Build out the top of the fireplace opening using a purpose made lintel or using metal sections.
 2.6 Reduce the volume of the fireplace recess to within 50 – 75mm of the back face of the cast iron insert.
 2.7 Drill holes in the edge of the cast iron front, ideally in the four corners, so that the fixings will not be seen when the mantel is in position. Drill corresponding holes in the wall.
 2.8 Fit non-combustible/high temperature wall plugs in the wall in preparation for fitting.

To fit the tiles:

- 2.9 The tiles must be fitted to the Tiled Front Casting prior to the Front being secured to the wall.
 2.10 Carefully lay the Tiled Front Casting face down, on a soft, flat surface, to gain access to the rear.
 2.11 Remove the top and bottom screws to remove the 2 tile ladder brackets, see Diagram 5.



- 2.12 Carefully position the tiles and replace the tile ladder brackets. Secure with the 2 screws, see Diagram 5.

Caution: Do not overtighten the tile bar as this may crack the tiles.

- 2.13 Position the Tiled Front Casting centrally in the fireplace opening against the wall. Place the surround (mantelpiece) in position and, holding the surround firmly against the wall, pull the Tiled Front Casting forward until it touches the rear of the surround. The Tiled Front Casting is now in the correct position. Mark the position and securely fix the panel to the wall. The surround can be removed while this is completed.
 2.14 **Seal thoroughly around the entire perimeter of the fireplace with non-combustible material such as fibreglass rope seal or Stovax fire cement to form an air-tight seal to ensure no products of combustion can enter the room.**
 2.15 Fill the void behind the Cast Insert with a mixture of vermiculite and cement. Use enough cement to lightly coat the vermiculite and only enough water to hold the mixture together.

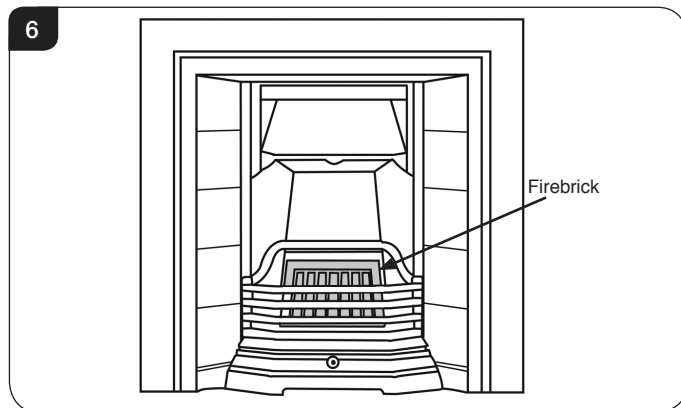
Installation Instructions

- 2.16 Flaunch the opening in and above the Cast Insert to form a smooth transition between the flue exit of the cast iron and the chimney itself.

NOTE: Never use Portland cement mortar in chimneys and fireplaces. A lime based mortar will allow expansion and movement and reduce the risk of cracking.

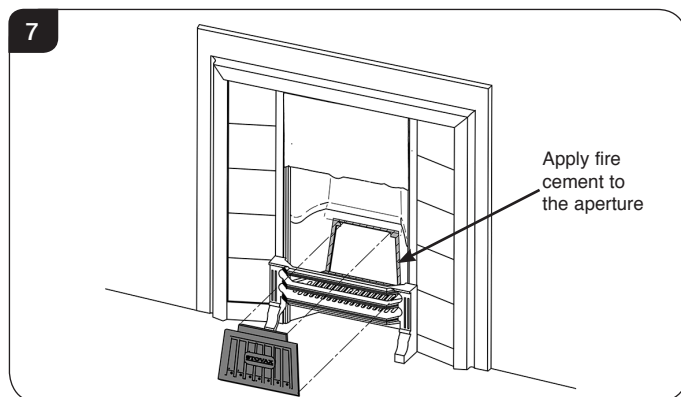
This should be at an angle not less than 45 degrees from the vertical.

- 2.17 Some Cast Inserts have a Firebrick immediately behind the Firegrate, see Diagram 6.



- 2.18 This Firebrick must be sealed in place using a good quality fire cement.

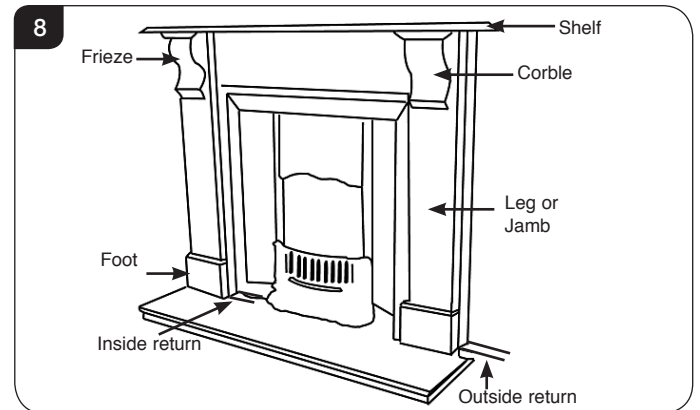
- 2.19 First apply a continuous bead of fire cement around the aperture where the Firebrick is to be fitted, see Diagram 7.



- 2.20 Fit the brick in position, pressing into the fire cement.
- 2.21 Fill the remaining gaps around the Firebrick with fire cement and finish neatly removing any excess material.
- 2.22 The seal must be complete around the entire perimeter of the Firebrick.

All Models

Wait until any cement or seals are dry before fitting a surround. If the surround is wooden, fix Stovax flat rope seal (Part No. 4953) to all surfaces that touch the Cast Iron Panel. Place the surround into position, ensuring that it is central, and secure to the wall using flat brass brackets (mirror plates).



With Solid fuel fires use only at a low fire for the first few hours of use to allow the castings to temper.

During this time the fireplace may give off some unpleasant odours, and we recommend that you keep the room well ventilated to avoid a build-up of fumes.

3. Installing a Gas Appliance

When installing a Cast Iron Insert with a gas appliance it is essential that the product is installed in accordance with these instructions whilst making provision for the gas supply and requirements of the appliance.

Read both instructions thoroughly before installation to understand the requirements for each component.

Once the Cast Iron Insert has been fitted install the gas appliance as detailed in the Instructions for Use & Installation provided.

Installation Instructions

4. Post Installation Treatment

Stovax Classic Fireplaces are coated with a layer of Grease to prevent rust prior to installation. This will need to be removed once the product has been fitted.

To continue to protect against any rust that may result from atmospheric conditions such as damp, apply a thin coat of olive oil to the face of the front.

5. CO Alarms

All open flued appliances can be affected by temporary atmospheric conditions which may allow fumes to enter the house. **Building regulations require that whenever a new or replacement fixed solid fuel or wood/biomass appliance is installed in a dwelling a carbon monoxide alarm must be fitted in the same room as the appliance. Further guidance on the installation of the carbon monoxide alarm is available in the latest edition of BS EN50292 and from the alarm manufacturer's instructions.**

HETAS recommend the unit is permanently fixed in accordance with the manufacturer's installation instructions or with the guidance contained in Approved Document J where no other information is available.

Provision of an alarm must not be considered a substitute for either installing the appliance correctly or ensuring regular servicing and maintenance of the appliance and chimney system.

Commissioning

Commissioning a Solid Fuel Fireplace

1.1 To commission:

- Check the soundness of the seal between the cast iron edge and the fireplace.

1.2 Now carry out a final smoke draw test:

- First warm the flue with a blowlamp, or similar, for about 10 minutes.
- Place a smoke pellet on the centre of the grate with the damper open where applicable.

Smoke should now be drawn up the flue and be seen to exit from the flue terminal.

- Complete test with all doors and windows closed in the room where the appliance is fitted.
- If there are any extractor fans in adjacent rooms, the test must be repeated with the fans running on maximum and interconnecting doors open.
- Check the effect of ceiling fans during the test.

If the test fails, re-check the suitability of the flue system and ventilation. An inadequate air supply to the room is potentially dangerous.

- Light the appliance and slowly increase the temperature to operating levels.
- Ensure no combustion products enter the room.
- When the appliance reaches operating condition carry out a spillage test with a smoke match or pellet around the opening.

1.3 If excessive spillage occurs:

- Allow the appliance to cool and re-check the flue system and ventilation.

1.4 **Finally:**

- **Explain the safe operation of the appliance to the user and the importance of only using suitable fuels.**
- **Explain the requirement to use a suitable fireguard when children, elderly or infirm persons are near the appliance.**
- **Explain the cleaning and routine maintenance requirements to the user.**
- **Explain the requirement to use a suitable fireguard when children, elderly or infirm persons are near the appliance.**
- **Record retailer/supplier and installer details in the Appliance Commissioning Checklist on page 3 of this manual.**
- **Give the copy of the Instructions to the customer.**

Commissioning a Gas Appliance

NOTE - If a gas appliance has been installed please carry out commissioning as detailed in the manual supplied with the gas appliance.

Certificate Of Compliance

It is a requirement under the Building Regulations that the Local Area Building Control is notified of the installation within 30 days of completion. A HETAS registered competent person can certify the installation work by issuing a Certificate of Compliance (an example of a certificate is shown below). Not notifying the installation is illegal and could potentially affect your building insurance and future sale of the property.

HETAS LTD - CERTIFICATE OF COMPLIANCE

PLEASE TICK APPROPRIATE BOXES OR ENTER DETAILS IN BOXES BELOW



Record ID (HETAS Use Only)	<input type="text"/>	(*indicates that this data must be given)
Customer Name	*	
Installation Address	*	
Installation Address		
Installation Address		
Installation Address		
Town	*	
Postcode	*	Work Completion Date *
Local Authority Name (*Must be given if no postcode available)		
Installing Company Name	*	Company's HETAS Reg. No. *
Installing Engineer's Name	*	Engineer's HETAS Reg. No. *

Description of Work

Location:
 Lounge Dining Room Kitchen Utility Room Bedroom Other, Specify

Appliance: Dry Open Fire Open Fire with Boiler Dry Cooker Cooker with Boiler
 Dry Roomheater/Stove Roomheater/Stove with Boiler Independent Boiler
 Make Model Heat Output kW

System: New Heating and Hot Water System Updated Existing Heating and Hot Water System Dry System Only

If Wet System: Is the Hot Water System Unvented? Y / N

Chimney: New Insulated Factory Made Chimney System Installed

Relining of existing chimney: Twin Wall Flexible Liner (for Class 1 Appliance) Cast In-situ Liner
 Rigid Sectional Liner Metal Rigid Sectional Liner Other

Hearth: New Hearth/Surround fitted Existing Hearth Surround Updated

Additional Information

Connecting fluepipe: Diameter mm Socket joints upward and gas tight

Provision for sweeping chimney/fluepipe: Yes No Chimney Data Plate Location

Air supply: Has a permanently open air vent been fitted: Yes No
 Is vent opening at least 50% of cross sectional area of throat/flue or State total free area of air vent mm²

Confirm an approved Carbon Monoxide alarm has been fitted

Testing & Commissioning to Approved J Appendix E

Confirm you have commissioned and tested the appliance & associated work for safe and efficient operation

Declaration of completion As the competent person responsible for the work described above, I confirm that the appliance and associated work has been installed in accordance with the HETAS rules of registration, and that the work complies with Regulations 4 and 7 of the Building Regulations, and Approved Documents J, G & L as applicable.

Signed: _____ Print name: _____ Date: _____

COPIES OF THIS COMPLETED CERTIFICATE MUST BE (WHITE COPY) SENT TO HETAS LTD AT THE ADDRESS GIVEN BELOW (PINK COPY) GIVEN TO THE CUSTOMER FOR RETENTION (YELLOW COPY) RETAINED BY THE INSTALLING COMPANY

**THIS CERTIFICATE SHOULD BE RETAINED BY THE PROPERTY OWNER
WHO MAY BE REQUIRED TO PRODUCE IT IN ANY FUTURE SALE OF THE PROPERTY.**

User Instructions - Solid Fuel

For gas appliances please refer to the User Instructions in the manual supplied with the gas appliance.

Welcome

Congratulations on purchasing your Front/ Fireplace, if installed correctly Stovax hope it will give you many years of warmth and pleasure for which it was designed.

The purpose of this manual is to familiarise you with your appliance, and give guidelines for its installation, operation and maintenance. If, after reading, you need further information, please do not hesitate to contact your Stovax retailer.

1. General Points

- 1.1 Before installation and/or use of this appliance please read these instructions fully and carefully to ensure that you have fully understood their requirements.

The appliance must be fitted by a registered installer*, or approved by your local building control officer.

- 1.2 All local regulations, including those referring to national and European Standards need to be complied with when installing the appliance.
- 1.3 Only use for domestic heating in accordance with these operating instructions.
- 1.4 Burn only approved fuels. Do not use with liquid fuels or as an incinerator.
- 1.5 If the installation is in a Smoke Control Zone only approved smokeless fuels must be used.
- 1.6 Appliance surfaces become very hot when in use. Use a suitable fireguard* if young children, elderly or infirm persons are present.
Stovax offer firescreens, sparkguards and hearthgate systems for protection. Your Stovax dealer can advise you about these products.
- 1.7 Do not place photographs, TV's, paintings, porcelain or other combustible items on the wall or near the appliance. Exposure to hot temperatures will cause damage. Do not place furniture or other items such as drying clothing closer than 1m from the front of this appliance.
- WARNING:** Extra fuel should not be stored on or next to the appliance. Only keep enough fuel for immediate use nearby and never leave the appliance unattended for long periods with any combustible material in close proximity.
- 1.8 Extractor fans or cooker hoods must not be placed in the same room or space as this can cause appliance to emit fumes into the room.
- 1.9 Do not obstruct inside or outside ventilation required for the safe use of this appliance.
- 1.10 Do not make unauthorised changes to the appliance.
- 1.11 The chimney must be swept at least once a year. See Section 9.
- 1.12 Do not connect, or share, the same flue or chimney system with another appliance.

WARNING



Properly installed, operated and maintained, this appliance will not emit fumes into the room. Occasional fumes from de-ashing and refuelling may occur.

Persistent fume emission is potentially dangerous and must not be tolerated.

If fume emission does persist:

- Open doors and windows to ventilate the room.
- Leave the room.
- Allow fire to burn out and safely dispose of fuel from the appliance.
- Check for chimney blockage and clean if required.
- Do not attempt to relight until the cause of the emission has been identified and corrected
- If necessary seek expert advice.
- All open flued appliances can be affected by temporary atmospheric conditions which may allow fumes to enter the house. Because of this an electronic carbon monoxide detector conforming to the latest edition of BSEN50292 must be fitted in the same room as the appliance. The existence of an alarm must not be considered a substitute for ensuring regular servicing and maintenance of the appliance and chimney system.

IF THE ALARM SOUNDS FOLLOW THE INSTRUCTIONS GIVEN ABOVE.

2. Using the Appliance for the First Time

- 2.1 To allow the appliance to settle, and fixing glues and paint to fully cure, operate the appliance at a low temperature for first few days.
- 2.2 Do not touch any painted surfaces during the first period of use.
- 2.3 During this time the appliance may give off some unpleasant odours. Keep the room well ventilated to avoid a build-up of fumes.



‡In the U.K. these products must conform to the latest edition of BS 8423, Fireguards for use with solid fuel appliances.

If appliance is operating unattended they must conform to the latest edition of BS 3248

***Registered on the Competent Persons Scheme (GB only see page 20/ INFO (Republic of Ireland)).**

User Instructions - Solid Fuel

3. Recommended Fuels

3.1 Wood Logs:

Burn only seasoned timber with a moisture content of less than 20%. To ensure this allow cut wood to dry for 12 to 18 months.

Poor quality timber:

- Causes low combustion efficiency.
- Produces harmful condensation.
- Reduces effectiveness of the airwash and life of the appliance.

Do not burn construction timber, painted, impregnated / treated wood, manufactured board products or pallet wood.

3.2 Solid fuel:

Burn only anthracite or manufactured briquette smokeless fuels listed as suitable for use with open heating appliances.

Do not burn bituminous coal, 'petro-coke' or other petroleum based fuels as this will invalidate the product guarantee.

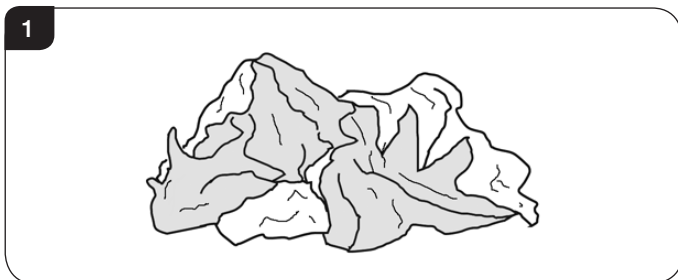
4. Lighting the Appliance

4.1 Whether using wood or solid fuel the process for lighting the appliance is the same.

4.2 To light the appliance:

- Remove the ashpan cover (where fitted).

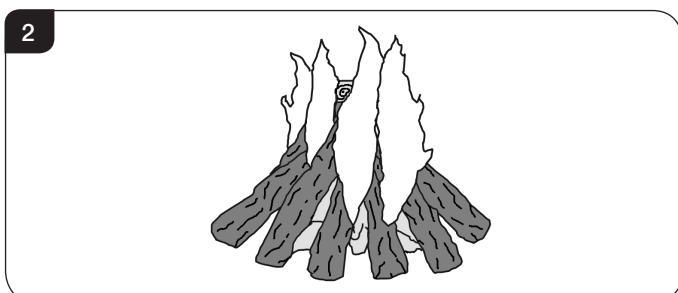
4.3 Place newspaper screwed up into loose balls on the grate, see Diagram 1.



4.4 Lay pieces of kindling wood on top of the newspaper in different directions.

A successful fire initially requires plenty of kindling to establish a hot firebox and warm the chimney to aid flue performance.

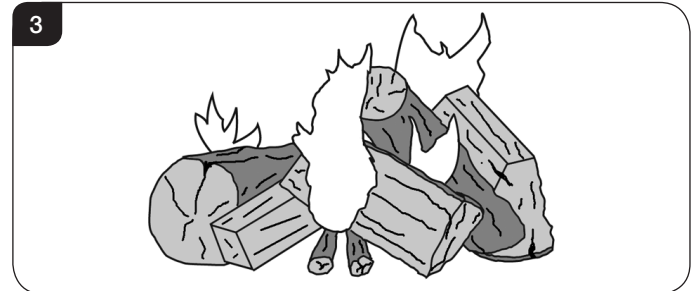
4.5 Light the paper, see Diagram 2.



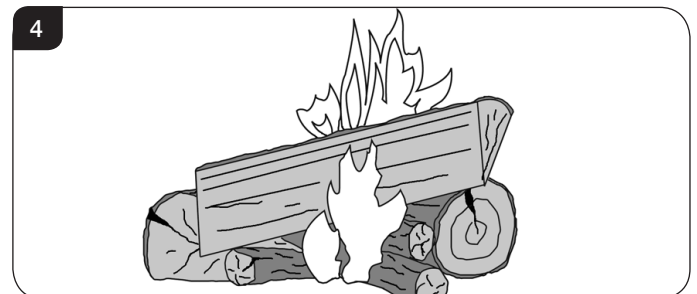
Burning Wood

4.6 Add larger pieces of wood once the kindling wood has caught alight and the fire is established, see Diagram 3.

Do not use full sized logs at this stage, build up gradually in size. Too many logs may smother the fire.

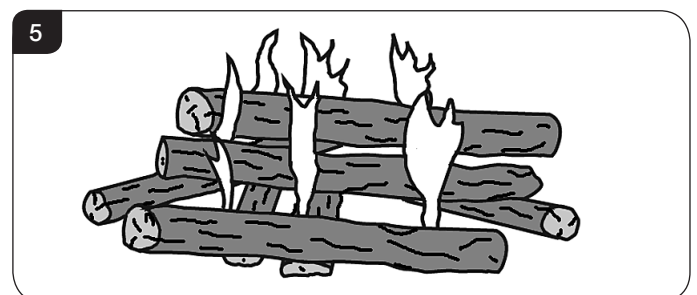


4.7 Refuel little and often for clean, efficient burning, see Diagram 4.

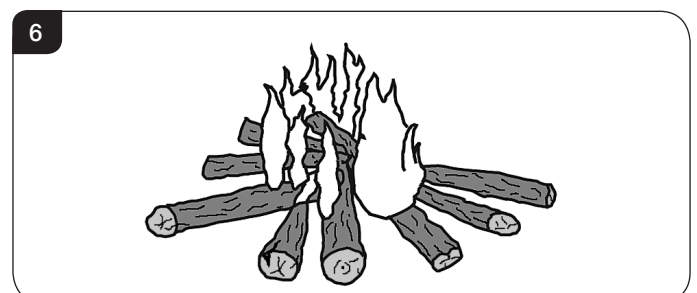


Burning Solid Fuel

4.8 Add small pieces of wood to establish a strong burning fire, see Diagram 5.

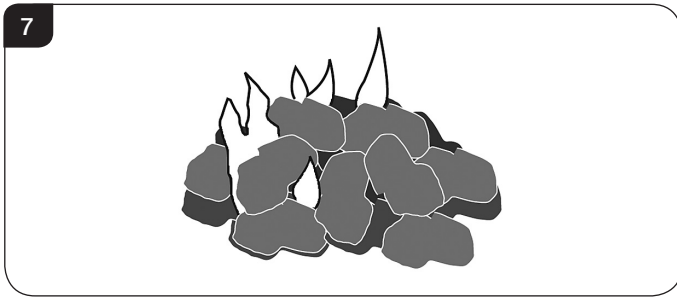


4.9 Allow wood to burn through, see Diagram 6.

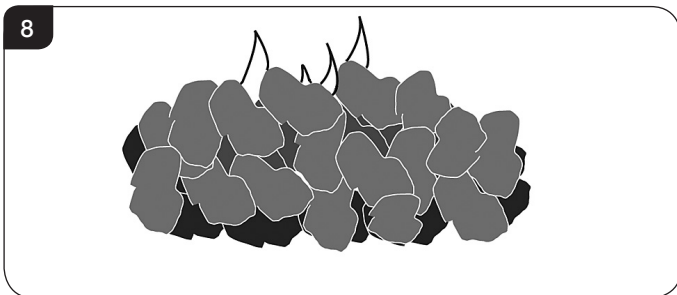


User Instructions - Solid Fuel

4.10 Add solid fuel to wood, see Diagram 7.



4.11 Once the solid fuel has started to burn add more to establish a strong fire, see Diagram 8.



4.12 Frequently riddle the fire with a poker when using solid fuel to keep it free of ash.

4.13 Empty the ashpan (if applicable) regularly.

5. Ash Removal

Do not allow ash to build up as it may cause damage and adversely effect the performance of the appliance. Warning: Ash can remain hot long after appliance has been in use.

5.1 Leave a layer of ash to start the new fire on. Wood burns best on a bed of ash (approx. 25mm (1") deep).

- Remove ash with a small shovel and place into a Stovax Ash Caddy (Stovax Part No. 4227) or other suitable container.

Do not place hot ash in any container made from plastic or any other combustible material.

- De-ash at least once a week.

6. Over-Firing

6.1 Do not over-fill with fuel or run at high temperatures for long periods or over-firing can occur.

6.2 **Over-firing can cause permanent damage to the appliance and invalidate the product warranty.**

7. Chimney fire

7.1 **If a chimney fire occurs:**

- Shut all air controls immediately.
- Evacuate the building.
- Call the fire brigade.
- Do not re-enter the building until it is confirmed safe.

7.2 **Do not use the appliance after a chimney fire until:**

a) **It has been inspected by a registered installer*, confirming the appliance is safe to use.**

b) The chimney system has been inspected and swept by a chimney sweep, confirming the system is structurally sound and free from obstruction*.

c) **It is repaired as required before re-use.** Use only genuine Stovax replacement parts to keep your appliance in safe, efficient working order.

8. General Cleaning

8.1 Clean and inspect the appliance regularly, especially in periods of heavy use. Regular cleaning and maintenance will help give many years of safe use.

8.2 **Allow appliance to cool thoroughly to avoid risk of burns.**

8.3 Clean regularly, according to level of use.

Remove the ash completely see User Instructions, Section 5.

8.4 Check internal components for damage and for obvious build up of soot, ash or debris above the firebox. Use a torch if necessary.

8.5 If there are any signs of a build up of debris above the appliance either:

- Arrange for the chimney to be swept.
- Clear the debris.

8.6 **Do not use aerosol sprays near an operating appliance. Do not use abrasive cleaner or cleaning pads.**



*Registered on the Competent Persons Scheme (GB only see page 20/ INFO (Republic of Ireland)).

User Instructions - Solid Fuel

9. Chimney Sweeping

- 9.1 To maintain safe and efficient use of the appliance, the chimney/flue must be inspected and swept at least once a year by a qualified chimney sweep*.
- If the appliance is used continuously throughout the year, or it is used to burn wood, more frequent sweeping is recommended.
- The best time to have the chimney swept is at the start of the heating season.
- 9.2 The chimney, any connecting flue pipe and the appliance flue ways, if incorporated, must be regularly cleaned.
- 9.3 Ensure adequate access for cleaning where it is not possible to sweep through the chimney.
- 9.4 If the chimney is believed to have previously served an open fire it must be swept a second time within a month of regular use after installation.

10. Care of Fireplace

Stovax has a range of cleaning and maintenance products and accessories to keep your appliance in good working order. Your Stovax retailer can advise you on suitable items for your stove and provide genuine spare parts. View the extensive range at www.stovax.com by clicking on *Accessories*. In addition, an annual service by a competent engineer is recommended to keep your stove in the best possible condition.



11. Seasonal Use

- 11.1 Clean and service the appliance if not used during the warmer months, as detailed in the Maintenance and Servicing section.
- 11.2 If applicable set the air controls to 50% to keep the appliance ventilated and stop the build-up of any moisture inside.
- 11.3 Before re-lighting the appliance:
- Clear any debris that may have accumulated.
 - Check the flue is clear of any blockages.

i *Registered on the Competent Persons Scheme (GB only see page 20/ INFO (Republic of Ireland).

i **Organisations authorised to certify competence in the installation of domestic solid fuel appliances (Competent Persons Scheme):**

APHC - Association of Plumbing and Heating Contractors (Certification) Ltd.
www.aphc.co.uk

BESCA - Building Engineering Services Competence Accreditation Ltd.
www.besca.org.uk

HETAS - Heating Equipment Testing and Approval Scheme Ltd.
www.hetas.co.uk

NAPIT - National Association of Professional Inspectors and Testers Ltd.
www.napit.org.uk

NICEIC - NICEIC Group Ltd.
www.niceic.org.uk

HETAS Approved Chimney Sweeps:

NACS - The National Association of Chimney Sweeps
www.chimneyworks.co.uk

APICS - The Association of Master Chimney Sweeps Ltd.
www.apics.org

The Guild of Master Chimney Sweeps -
guildofmasterchimneysweeps.co.uk

Maintenance & Servicing - Solid Fuel Appliances

For a complete list of spare parts and accessories contact your Stovax or call 01392 474011. If a Gas appliance has been installed please refer to the servicing requirements section of the manual supplied with the appliance.

Only genuine Stovax replacement parts are to be used to keep your fireplace in safe and efficient working order.

For fully polished fireplaces, Stovax Steel Cleaner (Part No.2037) is recommended to keep them clean and rust free. If a fire is not to be lit for an extended period, it is advisable to coat it with a light oil to prevent moisture in the air causing surface rust and pitting of the cast iron. This is important when plastering or other decorating work is being done.

Post Installation Treatment

Stovax Classic Fireplaces are coated with a layer of Grease to prevent rust prior to installation. This will need to be removed once the product has been fitted.

To continue to protect against any rust that may result from atmospheric conditions such as damp, apply a thin coat of olive oil to the face of the front.

1. Annual Service

1.1 Before the start of the heating season strip, inspect and clean the fireplace as detailed:

- Allow fireplace to cool.
- Sweep the chimney at this point if it is required.
- Vacuum clean any remaining ash and debris from the inside of the fireplace.

Stovax offer a filter/collection attachment for your vacuum cleaner to protect it from fire ash. Ash Clean (Stovax Part No. 2091).

- Clean the internal surfaces of the fireplace using a wire brush and scraper as required. Vacuum and brush the resulting debris from the fireplace.
- Clean the grate parts with a wire brush, and check the parts for any damage.
- Replace any damaged parts.
- Re-fit cleaned internal parts.
- Lightly oil any operating mechanisms.
- To refresh painted finishes a touch up spray is available.

Contact your Stovax retailer quoting the serial number found on the appliance data badge.

1.2 Use genuine Stovax replacement parts to keep your fireplace in safe and efficient working order. Your local Stovax retailer can provide you with the parts you require.

This is a list of the maintenance products you may need to use:

Task	Product name
Preventing build-up of creosote in flue	Protector (15 sachets)
	Protector (1kg tub)
Sealing flue pipe joints	Fire Cement (500g tub)
	Fire Cement (600g cartridge)
Re-painting	Touch Up Paint (150ml aerosol)
Cleaning matt black appliances	Colloidal Black (85ml)
Protecting your hands	Heat Resistant Leather Gloves
Ash Clean	Vacuum Cleaner Attachment
Cleaning stainless steel surfaces	Stovax Steel Cleaner

These products, available online at www.stovax.com or from your local Stovax Retailer, along with regular maintenance and use of correct fuels, will keep the appliance in the best possible condition.

1.3 For more information about the Stovax Group products please visit our web site at www.stovax.com

1.4 Burn at a low temperature for the first day of use after any maintenance. This allows the seals, fixing glues and paint to fully cure.

1.5 During this time the appliance may give off some unpleasant odours. Keep the room well ventilated to avoid a build-up of fumes.

1.6 It is necessary to regularly clean polished surfaces.

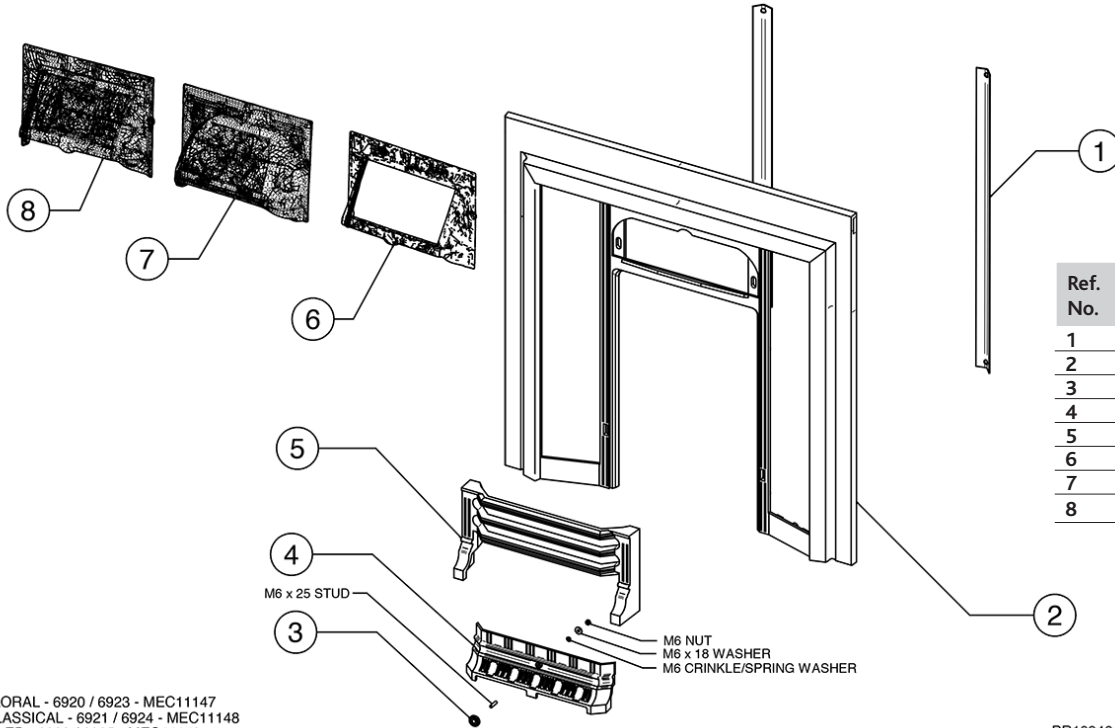
Cast fronts with Gas inserts are particularly susceptible to rust.

- Clean and coat all types with lacquer regularly after removing rust with a fine grade wire wool.
- Take extra care when redecorating, especially re plastering or stripping of wall paper.

1.7 Your Stovax Retailer can carry out service and maintenance.

Exploded Diagrams

TILED FRONT - VICTORIAN

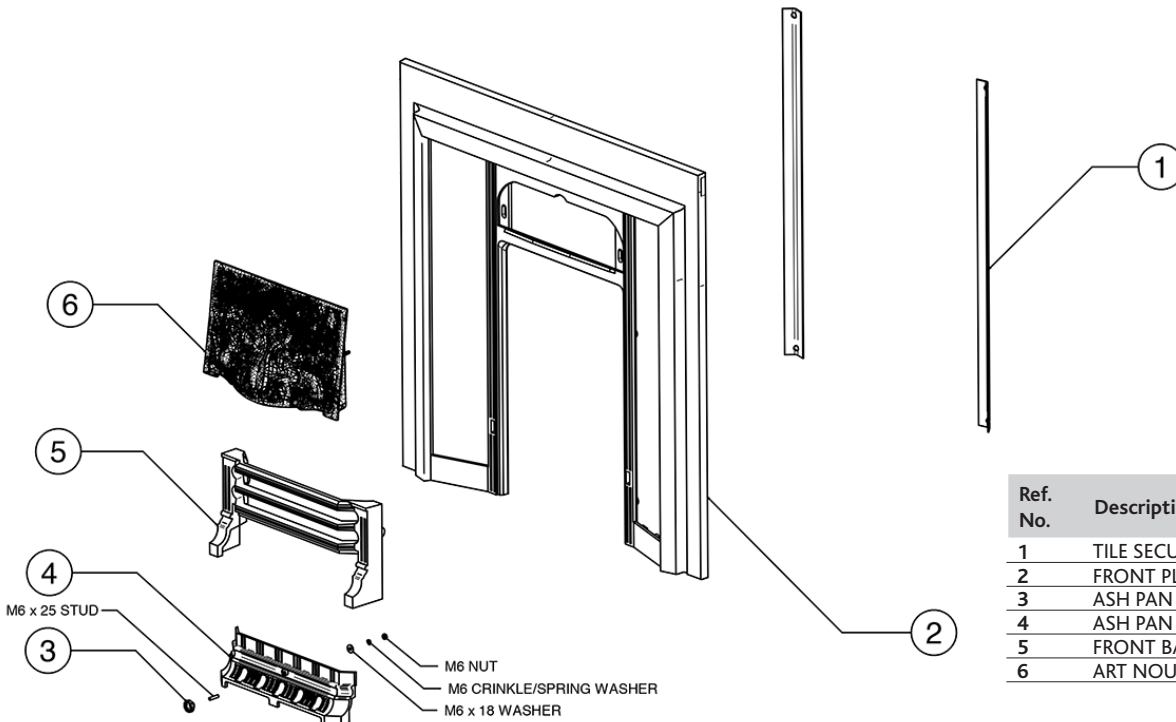


Ref. No.	Description
1	TILE SECURING BAR
2	FRONT PLATE
3	ASH PAN COVER KNOB
4	ASH PAN COVER ASSEMBLY
5	FRONT BARS
6	TILED HOOD
7	CLASSICAL HOOD
8	FLORAL HOOD

FLORAL - 6920 / 6923 - MEC11147
CLASSICAL - 6921 / 6924 - MEC11148
TILED - 6922 / 6925 - MEC11149

PR10946-1

TILED FRONT - ART NOUVEAU



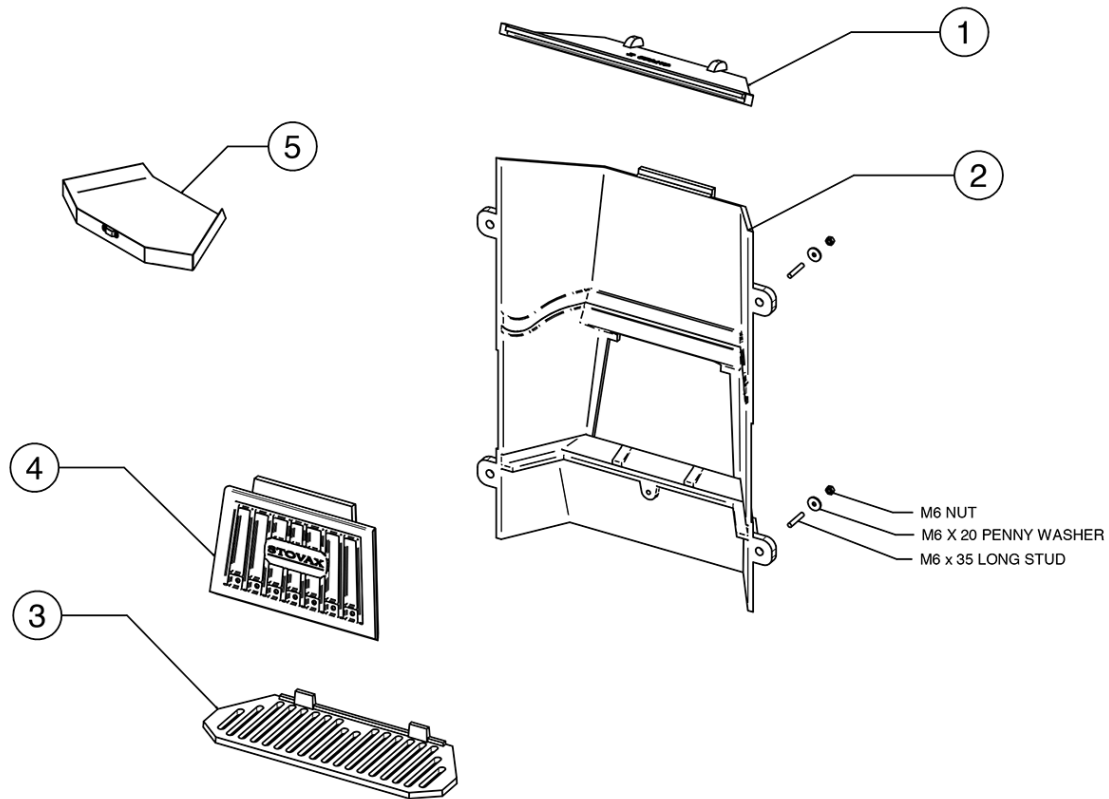
Ref. No.	Description
1	TILE SECURING BAR
2	FRONT PLATE
3	ASH PAN COVER KNOB
4	ASH PAN COVER ASSEMBLY
5	FRONT BARS
6	ART NOUVEAU HOOD

6926 / 6927
MEC11142

PR10945-1

Exploded Diagrams

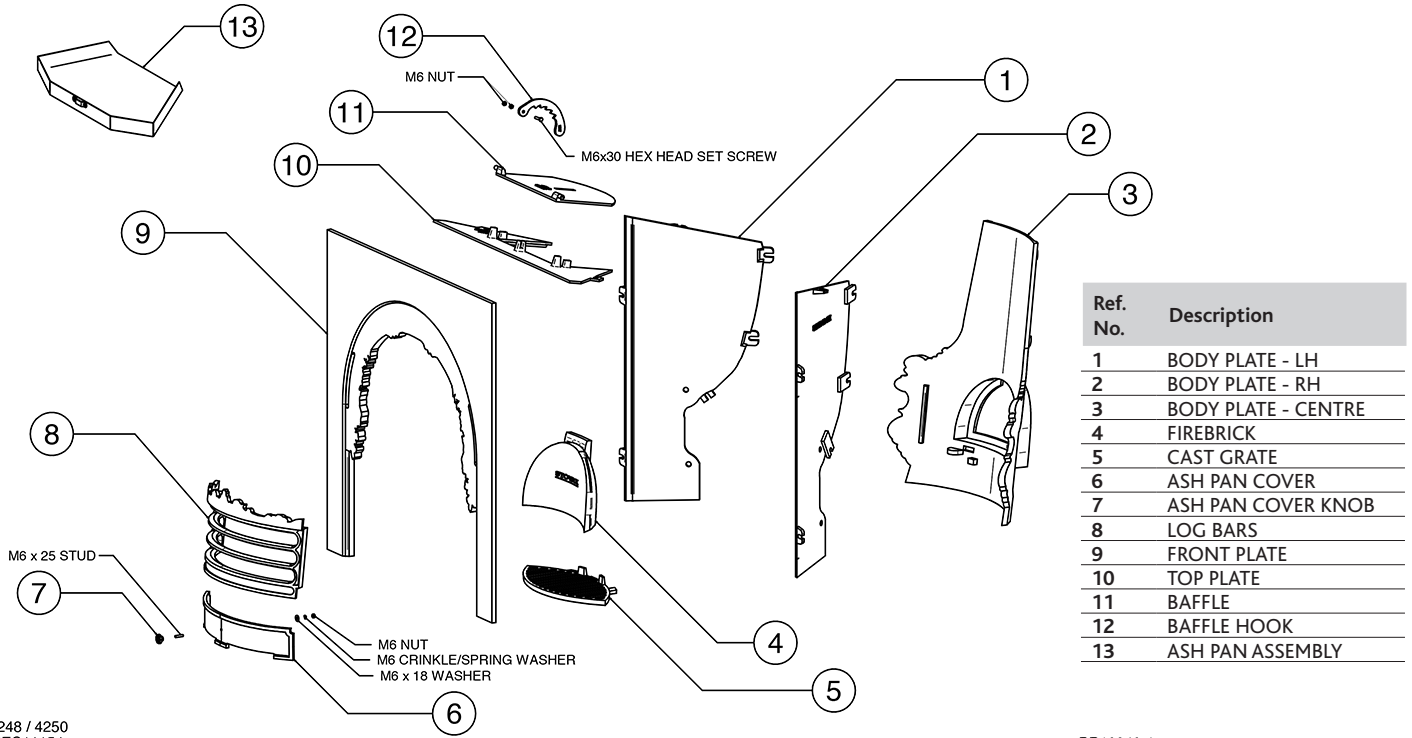
TILED INSERT - ART NOUVEAU & VICTORIAN CAST IRON BACK



Ref. No.	Description
1	BOTTOM BAFFLE
2	CAST BACK BODY
3	CAST GRATE
4	VICTORIAN V1 FIREBRICK
5	ASH PAN ASSEMBLY

Exploded Diagrams

CAST INSERT - ADELAIDE

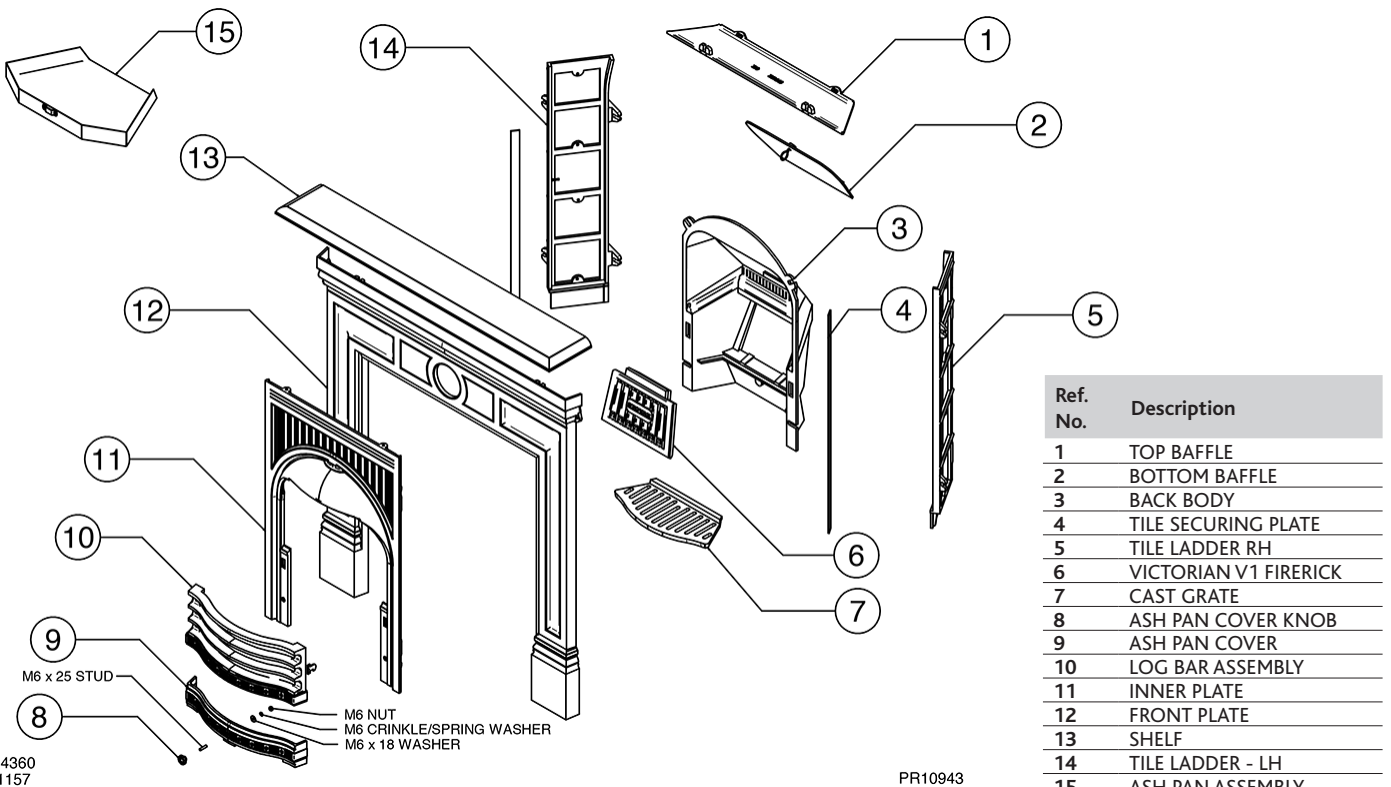


Ref. No.	Description
1	BODY PLATE - LH
2	BODY PLATE - RH
3	BODY PLATE - CENTRE
4	FIREBRICK
5	CAST GRATE
6	ASH PAN COVER
7	ASH PAN COVER KNOB
8	LOG BARS
9	FRONT PLATE
10	TOP PLATE
11	BAFFLE
12	BAFFLE HOOK
13	ASH PAN ASSEMBLY

4248 / 4250
MEC11154

PR10940-1

TILED INSERT - COMBINATION



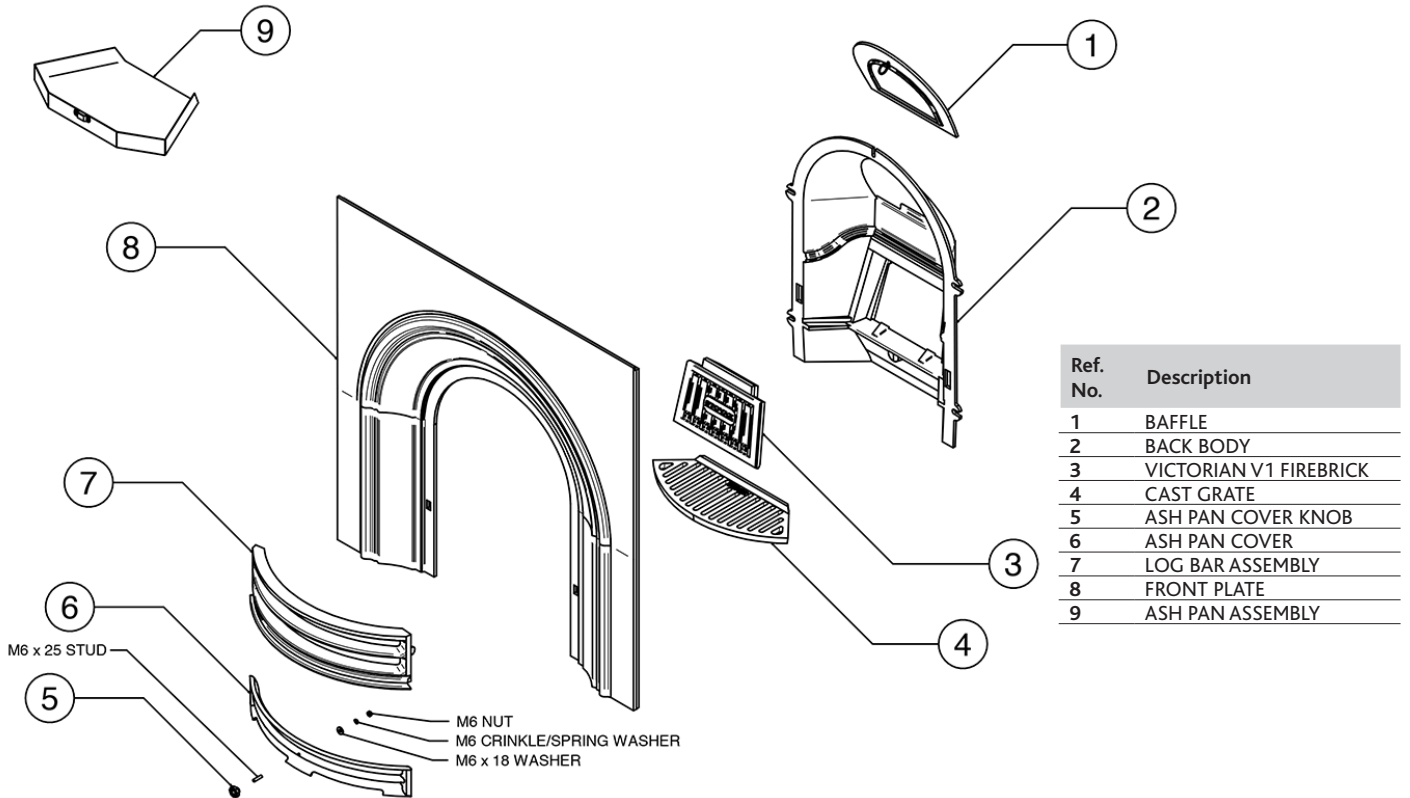
Ref. No.	Description
1	TOP BAFFLE
2	BOTTOM BAFFLE
3	BACK BODY
4	TILE SECURING PLATE
5	TILE LADDER RH
6	VICTORIAN V1 FIRERICK
7	CAST GRATE
8	ASH PAN COVER KNOB
9	ASH PAN COVER
10	LOG BAR ASSEMBLY
11	INNER PLATE
12	FRONT PLATE
13	SHELF
14	TILE LADDER - LH
15	ASH PAN ASSEMBLY

4359 / 4360
MEC11157

PR10943

Exploded Diagrams

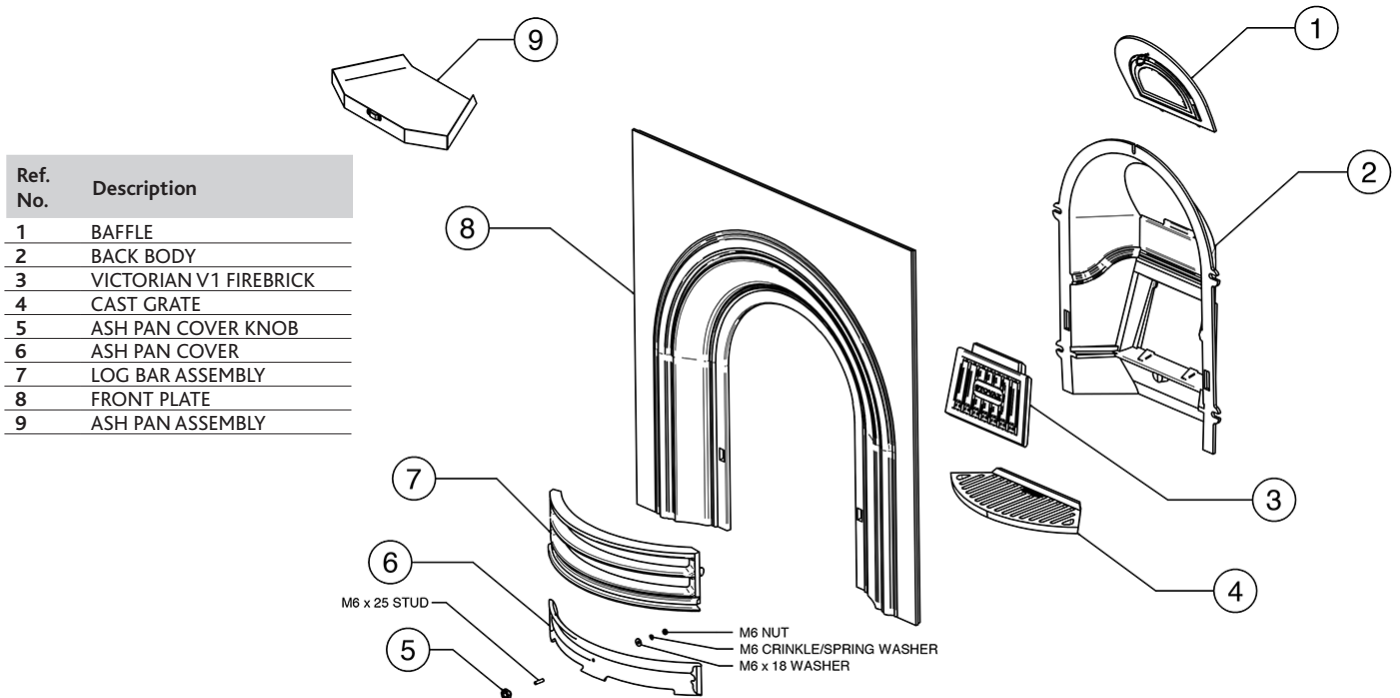
CAST INSERT - CLASSICAL ARCHED



4386 / 4386HP / 4387
MEC11155

PR10941-1

CAST INSERT - DECORATIVE ARCHED



4389 / 4389HP / 4390
MEC11156

PR1094

STOVAX

Stovax Ltd, Falcon Road, Sowton Industrial Estate, Exeter, Devon, England EX2 7LF
Tel: (01392) 474011 Fax: (01392) 219932 E-mail: info@stovax.com www.stovax.com

E & O E