



Studio Slimline Range

Monaco Modular Suite



Instructions for Use and Installation

For use in GB, IE (Great Britain and Republic of Ireland)

IMPORTANT

Before installing the surround, please read these instructions carefully and in conjunction with the instructions supplied with the appliance. These Instructions must be left with the appliance for future maintenance.

THE GRANITE TOP BECOMES HOT DURING OPERATION.
IT IS NOT ADVISABLE TO PLACE ANY ITEM ON TOP OF THIS INSTALLATION DURING USE.

PR2269.04.08.22

GENERAL INFORMATION

Covering the following components:

| STUDIO 1 SLIMLINE MODULE | STUDIO 1 SLIMLINE MODULE EXTENSION PIECE |
|--------------------------|---|
| 923-089 | 923-114 |



CAUTION - These materials are heavy. It is recommended to use suitable lifting equipment when moving the packed surround and 2 people to lift each part during unpacking and assembly.

Gazco surrounds are all made of non-combustible materials. All our appliances are tested according to the latest European requirements and also to the Norwegian SINTEF standard, which includes particle tests.

For your own and other's safety, you must install this appliance according to local and national codes of practice. Failure to install the appliance correctly could lead to prosecution. **Read these instructions before installing and using this appliance.**

Pay special attention to the following:

- Distance from firebox to combustible material.
- Insulation material requirements between the surround and the back wall.
- Hearth requirements.
- Flue pipe connections.
- Insulation where a flue pipe passes through a combustible wall.



IMPORTANT NOTICE: When handling the stone surrounds, take care to lift carefully and hold in the middle of the pieces to avoid putting unnecessary strain on the joins prior to installation.

Adjustment

It is recommended to first stack the surround without fixing the flue to adjust the appliance before making the chimney connection. Use a spirit level to ensure that the surround is mounted straight. The Studio Slimline will expand with heat so it must not support the surround - there must be a gap of 3-5mm above the appliance.

Acrylic Glue

Assemble the surround without gluing to ensure the correct orientation and position before fixing permanently using the acrylic glue provided.

Ensure all surfaces are clean and free of dust before use.

See page 10 for information on safe usage and suitable working conditions.

Minor Damage

The surround can sustain minor damage during transport and handling.

This can be repaired with the acrylic filler provided. For perfect results you can fill and sand with a suitable filler. Minor damage and uneven surfaces can be filled. If the damage is deep or in the event of significant damage it is recommended to fill repeatedly with tile adhesive or cement putty to avoid sinking.

Smooth off with a damp sponge or a float.

See page 10 for information on safe usage and suitable working conditions.

Fine Fissures

The building material around the fireplace can move.

In new houses in particular, it is common for building materials to settle substantially in the early years. In addition, all concrete elements shrink to a decreasing extent for up to 15 years.

The result is that small cracks may appear in the concrete/masonry.

Use the fireplace for a few months. If cracks appear, scrape them out with a screwdriver or similar to provide more space for acrylic joint filler.

Vacuum the surfaces to remove any dust.

Inject acrylic joint filler and even it out with a spatula or a finger wetted with soapy water. The joint can be painted after a couple of days.

Painting

When the fireplace has been filled/sanded and the glued joints are dry, the fireplace is ready to be painted.

Use only water based emulsion paints on this product.

Cleaning

Clean Granite top with mild soapy water and remove any residue of spilled glue.

Never use acid/abrasive materials, as this will damage the surface and polishing. It is important to use detergent/sealant that is approved for cleaning and sealing.

Scratches can be filled and then coloured.

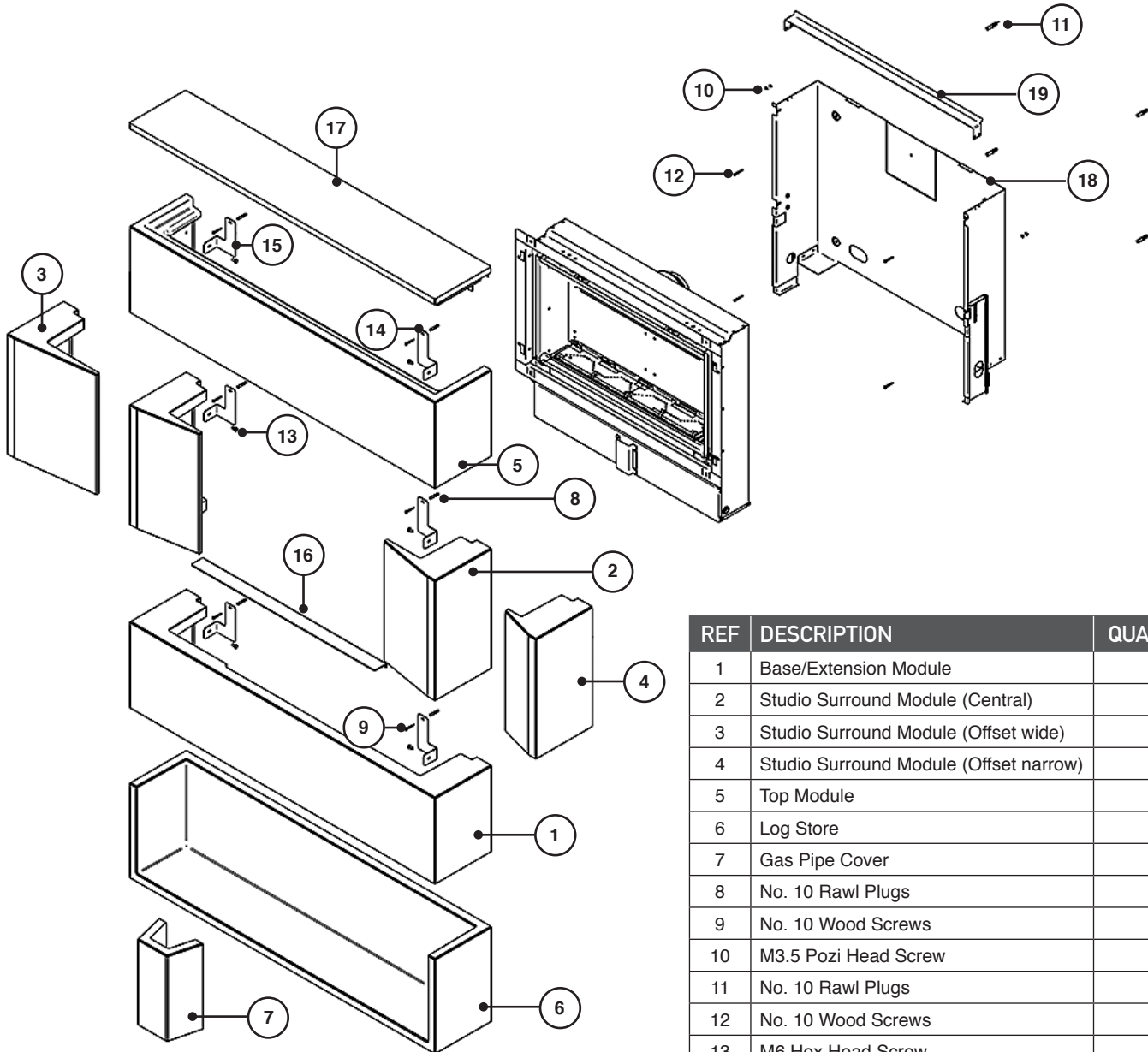
A professional stone centre can help you with different products for surface treatment of the stone.

For your own safety, comply with the assembly instructions. All safety distances are minimum distances.

Installation of the appliance must comply with the rules and regulations of the country where installed.

TECHNICAL SPECIFICATION

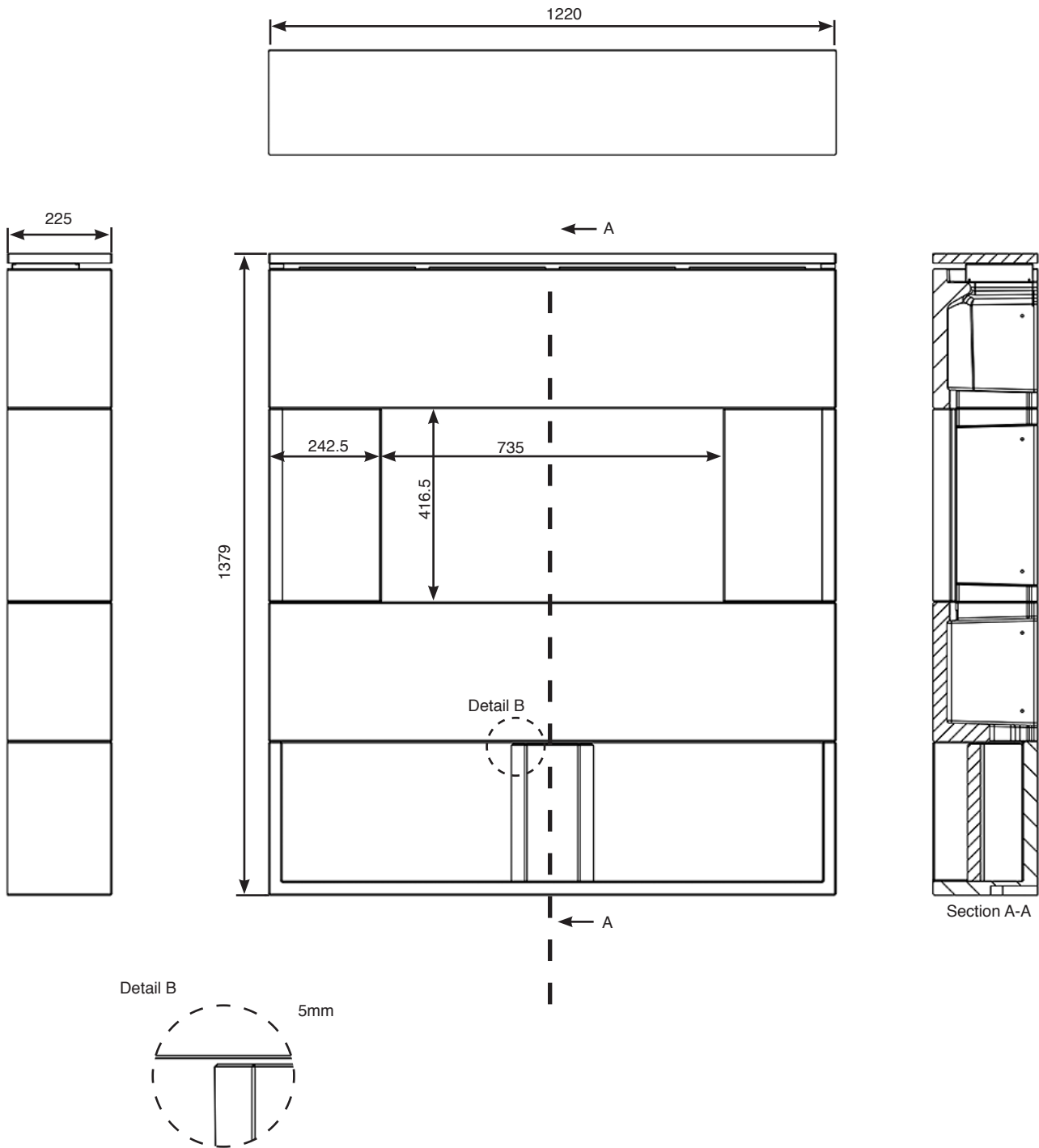
This appliance has been certified for use in countries other than those stated. To install this appliance in these countries, it is essential to obtain the translated instructions and in some cases the appliance will require modification. Contact Gazco for further information.



| REF | DESCRIPTION | QUANTITY |
|-----|--|----------|
| 1 | Base/Extension Module | 1 |
| 2 | Studio Surround Module (Central) | 2 |
| 3 | Studio Surround Module (Offset wide) | 1 |
| 4 | Studio Surround Module (Offset narrow) | 1 |
| 5 | Top Module | 1 |
| 6 | Log Store | 1 |
| 7 | Gas Pipe Cover | 1 |
| 8 | No. 10 Rawl Plugs | 6 |
| 9 | No. 10 Wood Screws | 6 |
| 10 | M3.5 Pozzi Head Screw | 4 |
| 11 | No. 10 Rawl Plugs | 4 |
| 12 | No. 10 Wood Screws | 4 |
| 13 | M6 Hex Head Screw | 6 |
| 14 | Wall Fixing Bracket RHS | 3 |
| 15 | Wall Fixing Bracket LHS | 3 |
| 16 | Decorative Steel Shelf | 1 |
| 17 | Lid Assembly | 1 |
| 18 | Studio Wall Fixing Plate | 1 |
| 19 | Wall Plate Strap | 1 |

i PLEASE NOTE: Each module comes supplied with a choice of Central and Offset modules (No. 2, 3 & 4). Only one set can be used per installation.

DIMENSIONS



SITE REQUIREMENTS

CLEARANCE TO COMBUSTIBLES

Ensure that the safety distances comply with any local and national rules in force.

The distance from the glass in the door to a lateral wall, measured diagonally, must be of at least 570 mm.

The distance between the top of the convection air outlet and roof of inflammable material must be at least 380 mm.

Do not place curtains above the appliance:

You must have 300mm (1') clearance between the appliance and any curtains at either side.

No furnishings or other objects should be placed within 1 metre of the front of the appliance.

If a shelf is fitted, a distance of 400mm above the appliance is required.

Flue Hole Clearances

Ensure that all clearances, including ones specified for the flue hole, are observed. See Studio Slimline Installation Instructions, Site Requirements.

VENTILATION

This appliance requires no additional ventilation.

Note: DO NOT seal the void containing the appliance.

GAS SUPPLY

THIS APPLIANCE IS INTENDED FOR USE ON A GAS INSTALLATION WITH A GOVERNED METER.

Before installation, ensure that the local distribution conditions (identification of the type of gas and pressure) and the adjustment of the appliance are compatible.

Ensure the gas supply delivers the required amount of gas and is in accordance with the rules in force.

Soft copper tubing can be used on the installation and soft soldered joints outside the appliance.

If it is intended to conceal the gas supply within the wall cavity, there must be no joints in any part of the supply that are not readily accessible when the appliance has been installed.

A factory fitted isolation device is part of the inlet connection; no further isolation device is required.

All supply gas pipes must be purged of any debris that may have entered prior to connection to the appliance.

The gas supply enters through the silicone panel located on the LEFT-HAND rear or base of the outer box. Slit with a sharp knife before passing the supply pipe through.

The gas supply must be installed in a way that does not restrict the removal of the appliance for servicing and inspection.

The supply pipe may be installed in several ways:

1) By drilling a hole straight through the outside wall. There is a cutout in the back panel of the appliance to allow the pipe to be concealed within the appliance.

2) The gas pipe can be concealed by cutting a channel in the wall. All current regulations must be adhered to and no pipe joint must be concealed in the wall.

LOCATING APPLIANCE BATTERIES



IMPORTANT NOTICE:

When installing with the Monaco surround it is not necessary to cut a wallbox into the masonry/studwork enclosure to house the appliance battery pack.

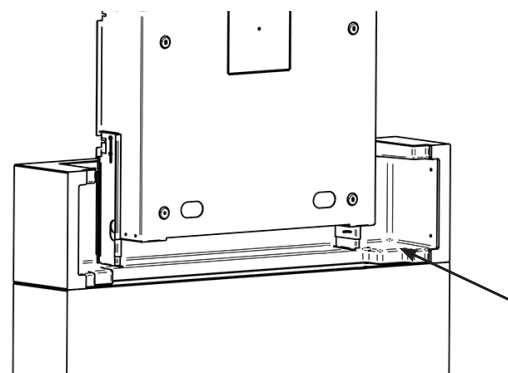
The battery pack from the Studio Slimline (see Installation Section of PR2015) does not require the installation of a wall box.

The battery pack can be positioned subtly within the Monaco surround for ease of access.

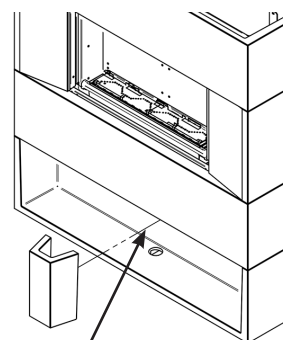
Here are two examples of positions where the battery pack can be placed:

1. On the Base module.

There is a corner shelf below the appliance that the Battery Pack can be placed on. This is accessible from below.



2. The cable and Battery Pack can hang down below the appliance alongside the gas supply and covered by the Gas Pipe Cover.



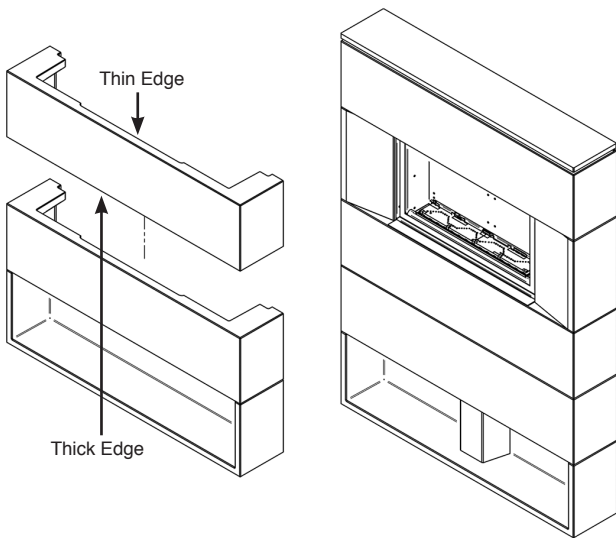
ADDITIONAL CONFIGURATIONS

The Studio Slimline Stone Suite can be customised to suit individual aesthetic requirements. Extension pieces are available and can be added above or below the appliance and alternative side pieces are supplied to create an offset effect.

i **IMPORTANT:** All installation methods are the same but it is important for the installer to take note of the orientation of the extension pieces as described below to ensure the right piece fits against the appliance.

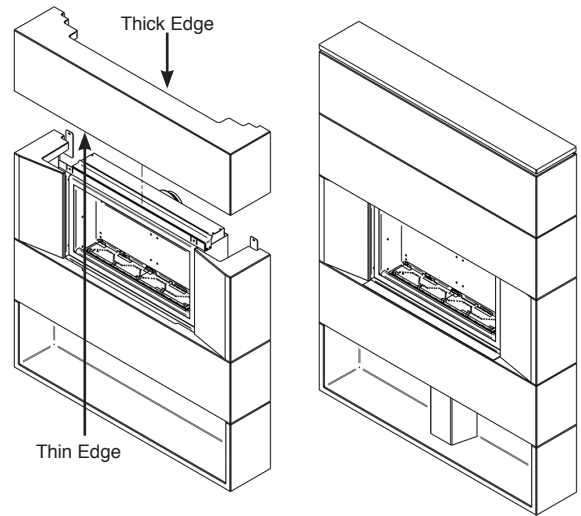
ADDITIONAL EXTENSIONS (OPTIONAL EXTRA)

Below Appliance



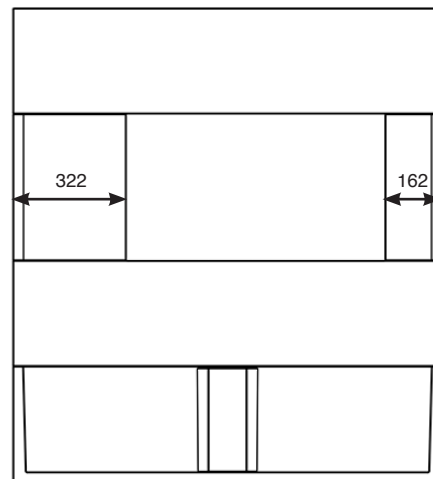
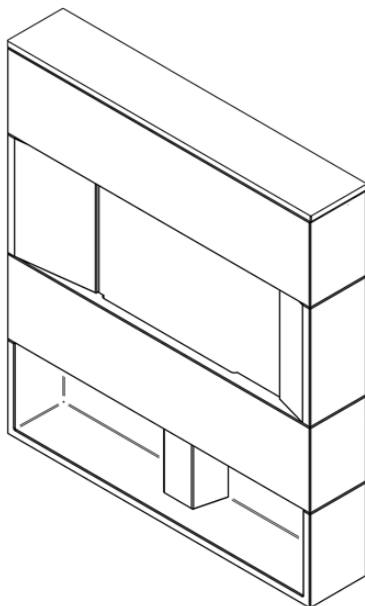
Installation method:
Thin edge against appliance, thick edge on the underside

Above Appliance



Installation method:
Thin edge against appliance, thick edge at the top of installation

OFFSET (SUPPLIED)



INSTALLATION INSTRUCTIONS

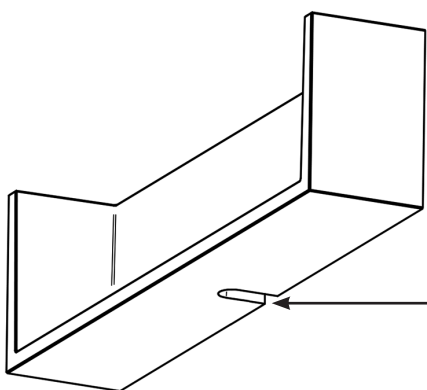
CAUTION: Stone surrounds are extremely heavy and must be properly secured.



Failure to secure this mantel firmly to a wall could result in parts of this surround falling. This can lead to serious injuries or even fatalities.

Do not attempt to fix the fire surround to a wall with adhesive alone. This product must be firmly secured to a solid wall with substantial stainless steel fixings.

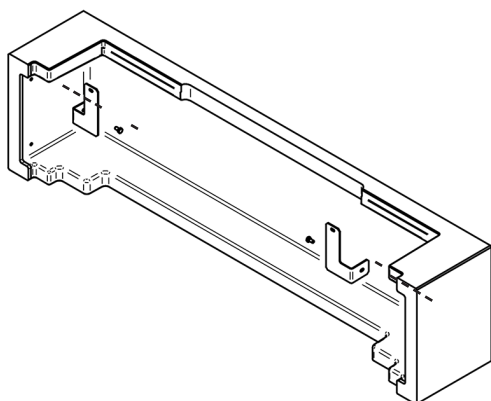
Carefully knock through the cut out on the underside of the log store using a hammer to create an opening for the gas supply (if using a base exit).



Fasten wall fixing brackets to the Base and any Extension modules using the screws supplied. These locate in the threaded insert cast into the concrete.



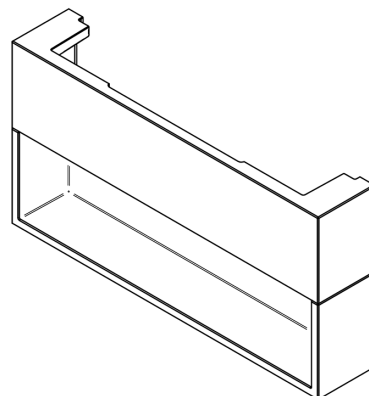
IMPORTANT: Ensure the cut out is located against the appliance.



NOTE: The same fixing brackets need to be attached to all other concrete components using the same method.

Position the Log Store and place the Base/Extension module on top.

Do not fix with adhesive at this stage.



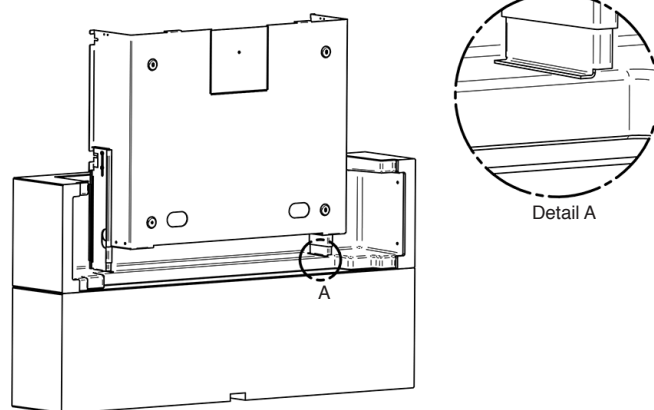
Locate the Wall Fixing Plate against the wall and rest the base of the Fixing Plate against the top of the concrete Base/Extension module in order to determine the height.



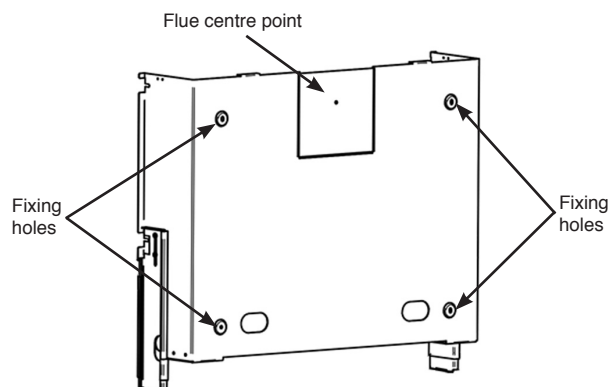
NOTE: If using the extension module below fire, this needs to be assembled before positioning the Wall Fixing Plate.

Adjust the position of the Wall Fixing Plate so that it is located centrally on the concrete Base/Extension module.

NOTE: Optional Extension piece not shown



Once in position, mark the centre of the flue hole and the position of the four fixing holes for the Wall Fixing Plate.



Remove all components to access the wall.

A 152mm (6") diameter hole is required to install the flue.

This can be achieved by either:

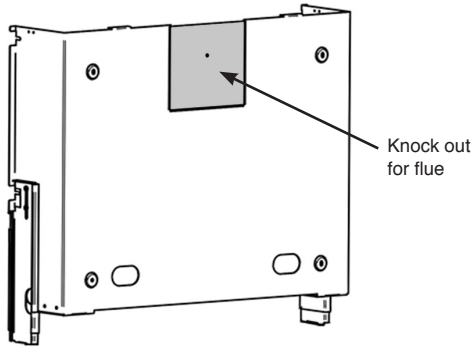
- a) Core drill
- b) Hammer and chisel

It is advisable to drill small holes around the circumference when using method b. Knock out the centre and make good both ends of the hole.

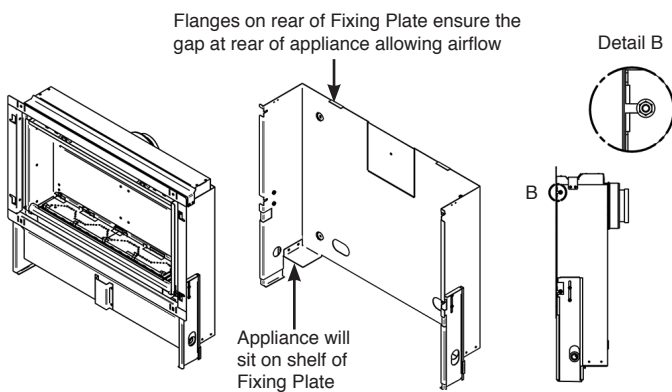
It is also possible to cut a hole for provision of the gas supply at this point if required.

When the hole for the flue has been completed, drill the fixing holes and insert the four supplied rawl plugs.

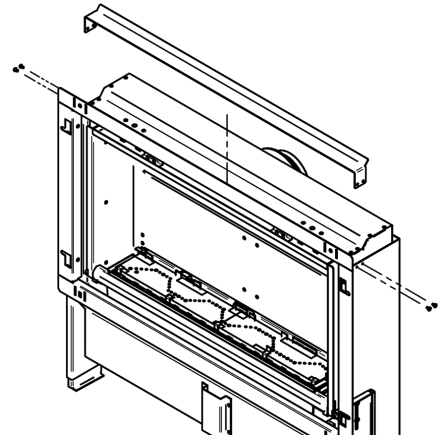
Remove the square section of the Wall Fixing Plate to allow the flue to pass through and secure plate to the wall using the fixings supplied.



Loosen 4 x M5 flange nuts (Detail B) on Wall Fixing Plate and locate appliance in position.

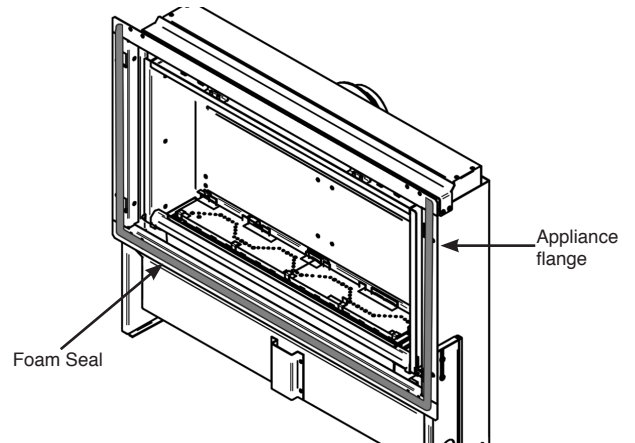


Secure with Wall Plate Strap using 4 x 3.5 Pozi head screws and tighten fixing nuts.



Apply the supplied foam seal to the base and sides of the front flange of the appliance.

NOTE: The foam seal is contained in the Studio Slimline installation kit.



Loosen nuts on the two slider plates either side of the appliance.

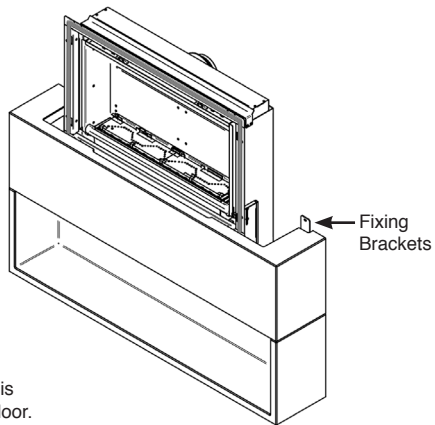
Place the Log Store and Base/Extension piece in position around the appliance. Make sure the appliance is central prior to fixing.

Mark hole locations in Fixing Brackets, remove Base/Extension piece. Drill holes and apply rawl plugs.

Apply adhesive.

i **IMPORTANT: Check fit of steel shelf between appliance and base / extension piece.**

Reposition Base/Extension module and screw into position.

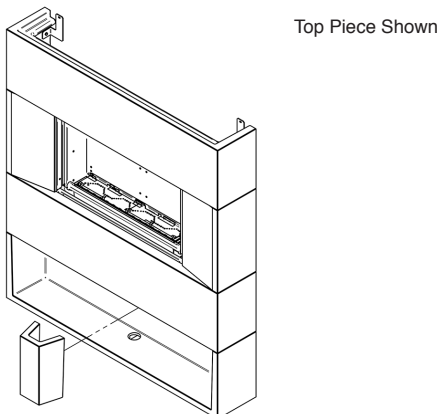


Note: Log Store is not fixed to the floor.

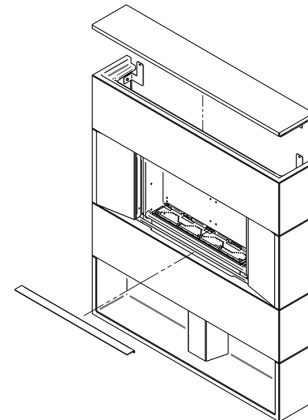
Lower sliders into position on the concrete block. Tighten to ensure the front edge of the appliance is supported.


Assemble all other concrete components using the same wall fixing brackets and same method as Base/Extension piece (see page 7).

Position Gas Pipe Cover after Gas has been connected.
Note: The Cover does not fix in place.



Place Lid Assembly and Shelf in position with the baffle edge to the rear.
These components are not mechanically fixed.



 **The Granite top becomes hot during operation. It is not advisable to place any item on top of this installation during use.**

SAFETY PRECAUTIONS FOR HANDLING ADHESIVES

A GUIDE TO SAFE WORKING PRACTICES

The Acrylic glue and filler provided for this surround should be handled carefully to safe guard the user.

Please observe the following working conditions and actions:

PRECAUTIONARY STATEMENTS

Keep out of reach of children when in use and during storage.
Read labels before usage.

Avoid breathing dust/fumes/gas/vapours.

Dispose of contents/container in accordance with local/national regulations

DETAFFIRE ACRYL (FIXING GLUE)

This product is not classified as toxic, however it is advised to:

1. Use in a well ventilated area.
2. Wear gloves and safety glasses during use.
3. Do not eat or drink during usage.
4. Do not smoke.
5. Ensure a good hygiene regime is followed after use.

FIRST AID MEASURES

| | |
|--------------------|--|
| After Inhalation | Provide fresh air supply |
| After Skin Contact | Wash immediately with plenty of soap and water. |
| After Eye Contact | Rinse immediately with plenty of water. Seek medical attention if ill effect or irritation develops |
| After Ingestion | Rinse mouth thoroughly. |

BOTAMENT (ACRYLIC FILLER)

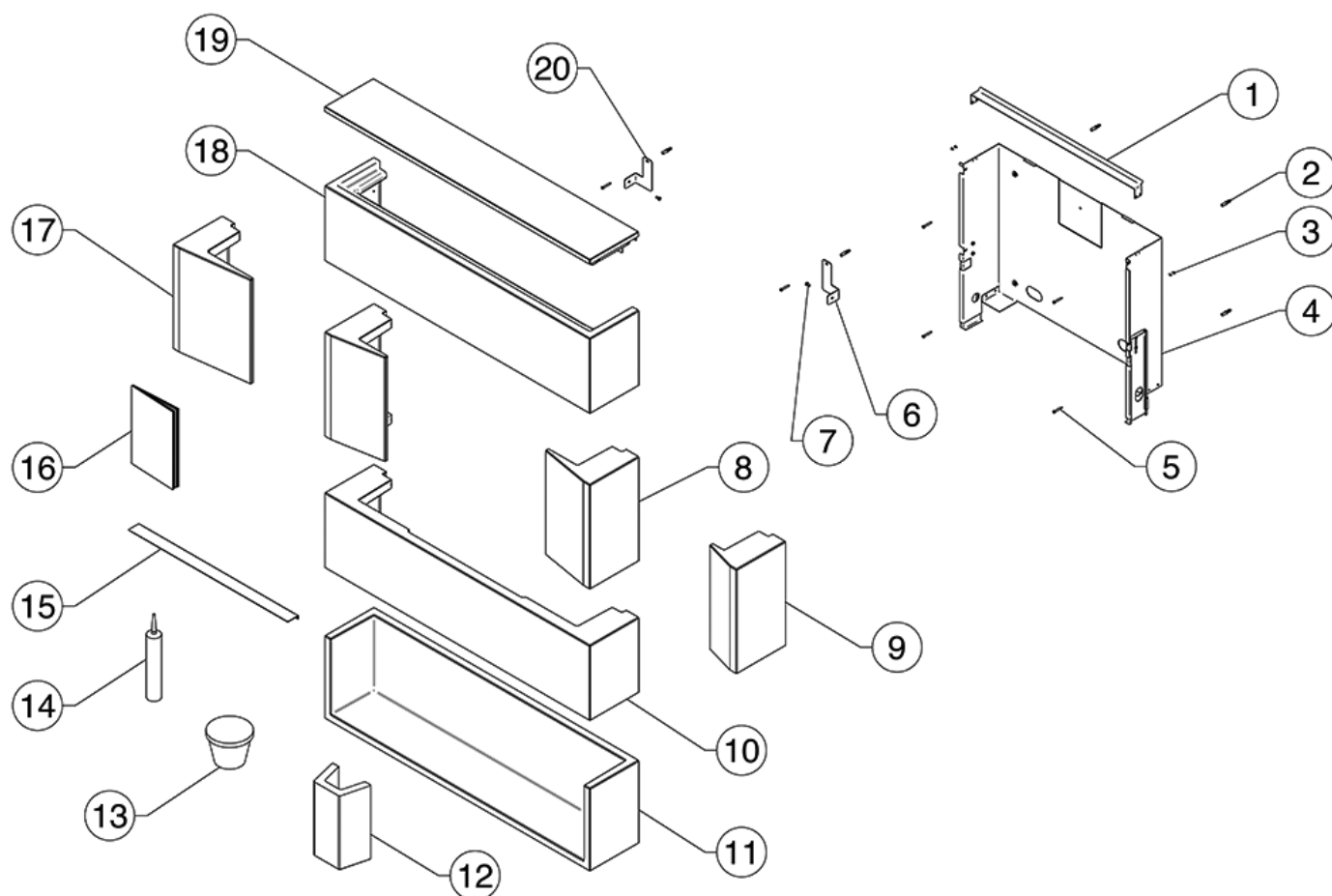
This product can pose a risk to the Eyes, skin and respiratory system so observe following:

1. Use a breathing mask during use and ensure the area is well ventilated whilst the product cures.
2. Wear tightly sealed safety glasses during use - danger of severe eye injury.
3. Neoprene or suitable gloves to be worn when handling.
4. Wear a suitable cover all - dispose of after use.
5. Do not eat or drink during usage.
6. Do not smoke.
7. Ensure a good hygiene regime is followed after use.
8. Do not dispose of waste with household rubbish.

FIRST AID MEASURES

| | |
|--------------------|---|
| After Inhalation | Provide fresh air supply |
| After Skin Contact | Wash immediately with plenty of soap and water. |
| After Eye Contact | Rinse open eye immediately with plenty of water for several minutes. Seek medical attention. |
| After Ingestion | Rinse mouth thoroughly, then drink plenty of water. Seek medical attention. |

SPARE PARTS LIST



| DIAGRAM NO. | PART CODE | DESCRIPTION | QUANTITY |
|-------------|------------|--|----------|
| 1 | GZ12986 | Wall Plate Strap | 1 |
| 2 | FA0387 | No. 10 Plastic Rawl Plug | 10 |
| 3 | FA0051 | M3.5 Pozzi Head Screw | 4 |
| 4 | GZ12987 | Studio Wall Fixing Plate Assembly | 1 |
| 5 | FA0677 | No. 10 Dome Woodscrew | 10 |
| 6 | GZ12981 | Wall Fixing Bracket RHS | 3 |
| 7 | D2140-1612 | M6 X 12 Hex Head Screw | 6 |
| 8 | CE1581 | Studio Surround Module (Central) | 2 |
| 9 | CE1586 | Studio Surround Module (Offset Narrow) | 1 |
| 10 | CE1578 | Base / Extension Module | 1 |

| DIAGRAM NO. | PART CODE | DESCRIPTION | QUANTITY |
|-------------|-----------|--------------------------------------|----------|
| 11 | CE1575 | Log Store | 1 |
| 12 | CE1576 | Gas Pipe Cover | 1 |
| 13 | FA0728 | Repair Cement | 1 |
| 14 | FA0729 | Acrylic Tube | 1 |
| 15 | GZ12976 | Decorative Steel Shelf | 1 |
| 16 | PR2269 | Installation Instructions | 1 |
| 17 | CE1584 | Studio Surround Module (Offset Wide) | 1 |
| 18 | CE1588 | Top Module | 1 |
| 19 | GZ12977 | Lid Assembly | 1 |
| 20 | GZ12982 | Wall Fixing Bracket LHS | 3 |

Due to continual technical improvements please check online at www.gazcospare.com or with your Gazco retailer for the most up to date parts lists.

FOR ENQUIRIES IN THE U.K (EXCLUDING NI):

Gazco Limited, Spitfire Avenue, Skypark, Clyst Honiton, Exeter, Devon, England EX5 2FR

Tel: (01392) 474011 E-mail: info@gazco.com

FOR ENQUIRIES IN EUROPE (INCLUDING NI):

Stovax Heating Group (NI) Ltd (Comp reg NI675194), 40 Linenhall Street, Belfast, BT2 8BA

DX 400 NR Belfast Tel: +44 (0)1392 261990 E-mail: northernireland@gazco.com

