

Glass, Steel, Verve, Expression, Bauhaus & Profil Frames

For use with the Studio 1, 2, 3, 22, Duplex & Slimline



Instructions for Use and Installation
For use in GB, IE (Great Britain and Republic of Ireland)

Installation Instructions

Covering the following models:

Studio 1,2 & 3 Open. Studio 1,2 & 3 Glass Fronted, Studio 22, Studio Duplex & Studio Slimline

Open Fronted Studio

Model	Studio 1	Studio 2	Studio 3
Steel 2 - Graphite	923-486	923-738	923-154
Steel 2 - Iridium	923-063	923-109	923-286
Glass - Black	923-022	923-135	923-591
Verve	923-437	923-542	923-355
Bauhaus - Anthracite	8711AN	8718AN	8721AN
Bauhaus - Polished Stainless Steel	8711P	8718P	8721P
Profil - Anthracite	8710AN	8717AN	8720AN
Profil - Polished Stainless Steel	8710P	8717P	8720P

Studio 22

Model	Studio 22
Steel 2 - Graphite	8729BFGP22
Steel 2 - Iridium	8729BFIR22
Verve - Graphite	923-012
Bauhaus - Anthracite	8728BFAN22
Bauhaus - Polished Stainless Steel	8728BFSS22
Profil - Anthracite	8726BFAN22
Profil - Polished Stainless Steel	8726BFSS22
Expression - Graphite	923-786

Glass Fronted Studio

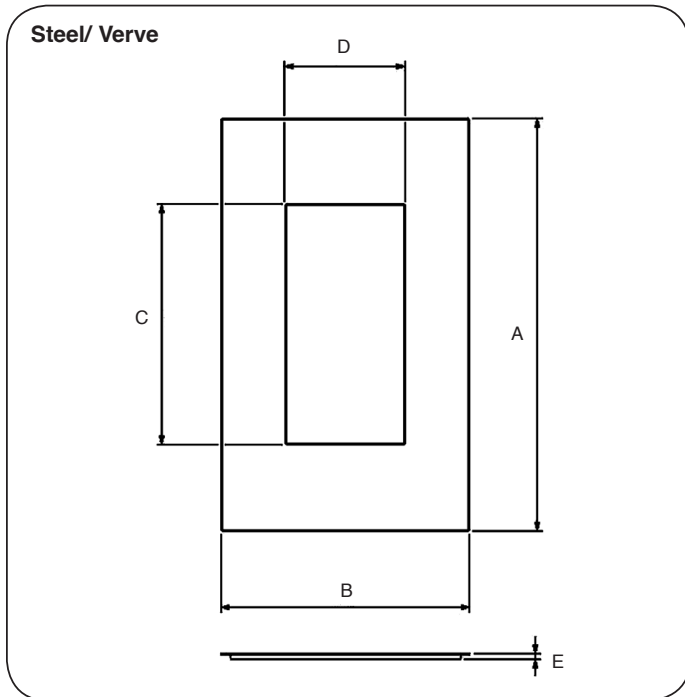
Model	Studio 1/Slimline Balanced Flue	Studio 1 Conventional Flue	Studio 2/Duplex Balanced Flue	Studio 2 Conventional Flue	Studio 3 Balanced Flue
Steel 2 - Graphite	923-883		923-556		923-008
Steel 2 - Iridium	923-684		923-572		923-405
Glass - Black	923-628		923-535		923-084
Verve	923-300		923-514		923-729
Bauhaus - Anthracite	8711BFAN01	8711CFAN01	8718BFAN02	8718CFAN02	8721BFAN03
Bauhaus - Polished Stainless Steel	8711BFSS01	8711CFSS01	8718BFSS02	8718CFSS02	8721BFSS03
Profil - Anthracite	8710BFAN01	8710CFAN01	8717BFAN02	8717CFAN02	8720BFAN03
Profil - Polished Stainless Steel	8710BFSS01	8710CFSS01	8717BFSS02	8717CFSS02	8720BFSS03
Expression - Graphite	923-656	923-546	923-709	923-574	923-753

Gazco also offer the Profil, Steel 2, Verve, Expression and Bauhaus frames in four additional colours. Use the additional suffix to assist in any correspondence.

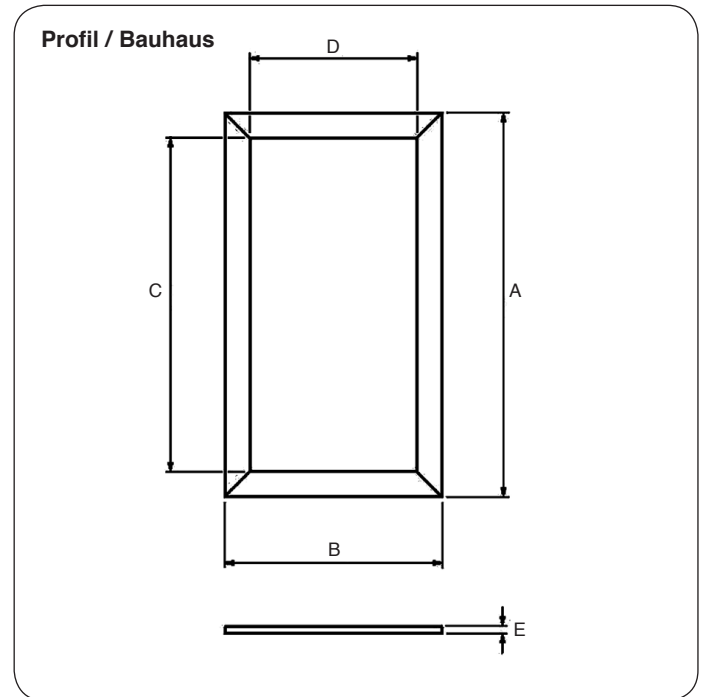
Metallic Red - RD, Metallic Blue - BL, Metallic Bronze - BZ, Ivory - IV

Installation Instructions

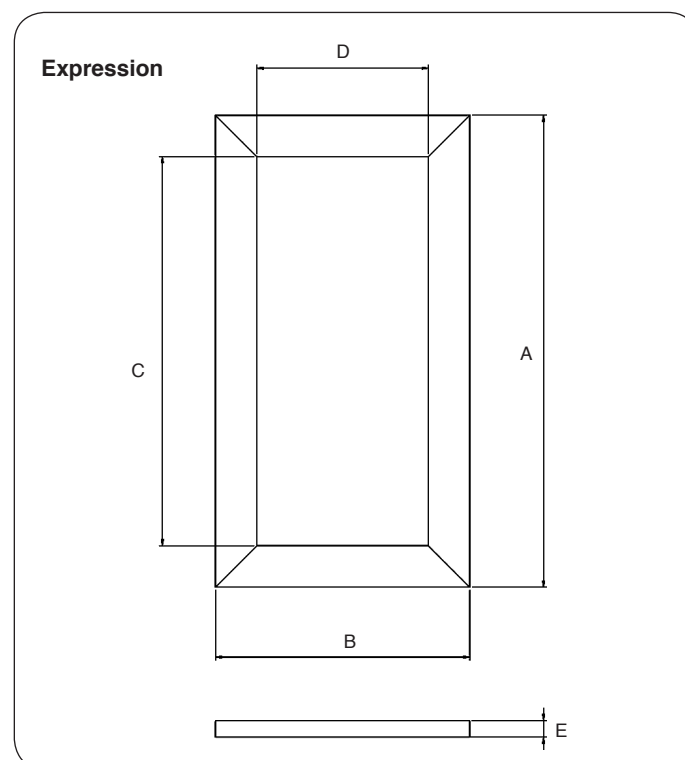
1. Studio 22 Frame Dimensions



Steel/ Verve Fronts					
Model	A	B	C	D	E
Studio 22 Steel	1320	675	846	320	13
Studio 22 Verve	1320	676	850	324	51



Bauhaus/ Profil Fronts					
Model	A	B	C	D	E
Studio 22 Bauhaus	1050	524	940	414	28
Studio 22 Profil	1036	510	940	414	13



Expresssion Frame					
Model	A	B	C	D	E
Studio 22	1140	614	940	414	40

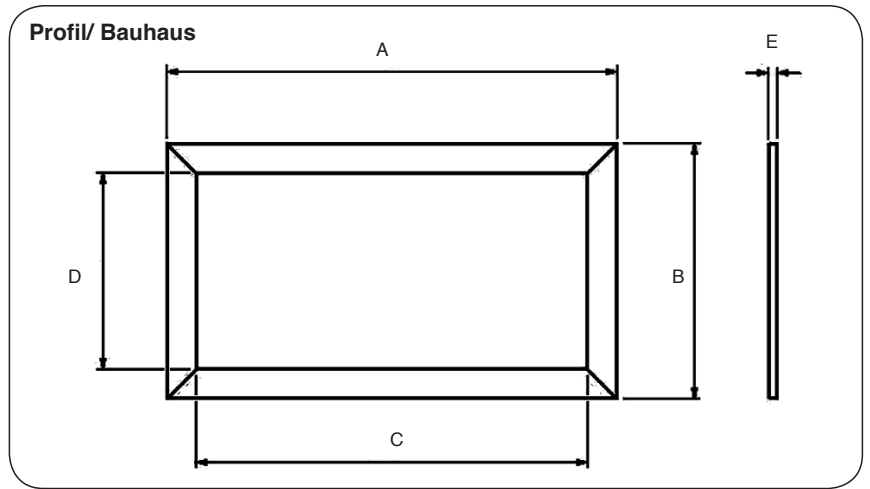
Installation Instructions

1. Studio 1, 2, 3, Duplex & Slimline Frame Dimensions

Open Fronted Studio

Profil Fronts					
Model	A	B	C	D	E
Studio 1	750	426	664	329	13
Studio 2	950	426	864	329	13
Studio 3	1340	426	1254	329	13

Bauhaus Fronts					
Model	A	B	C	D	E
Studio 1	764	439	654	329	28
Studio 2	964	439	864	329	28
Studio 3	1354	439	1254	329	28

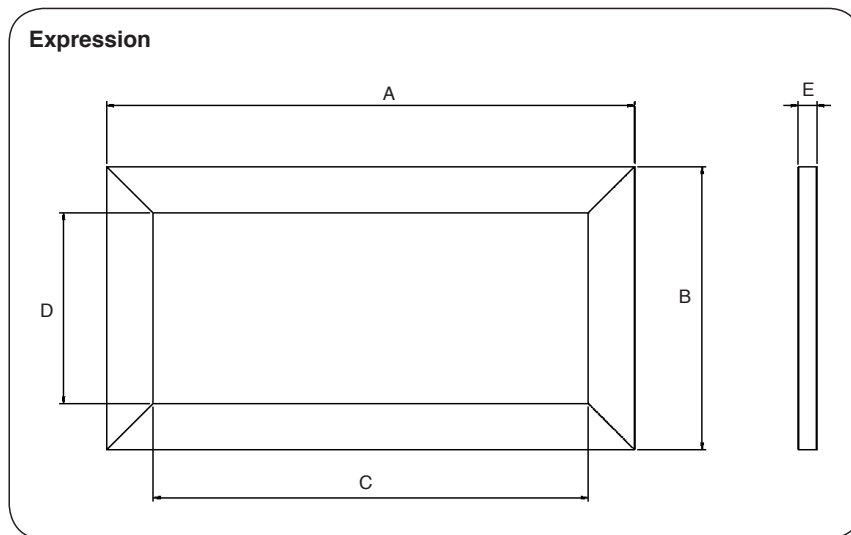


Glass Fronted Studio

Profil Fronts					
Model	A	B	C	D	E
Studio 1/ Slimline Balance Flue	836	510	740	414	13
Studio 1 Conventional Flue	846	520	750	424	13
Studio 2/ Duplex Balanced Flue	1036	510	940	414	13
Studio 2 Conventional Flue	1046	520	950	424	13
Studio 3 Balanced Flue	1426	510	1330	414	13

Glass Fronted Studio

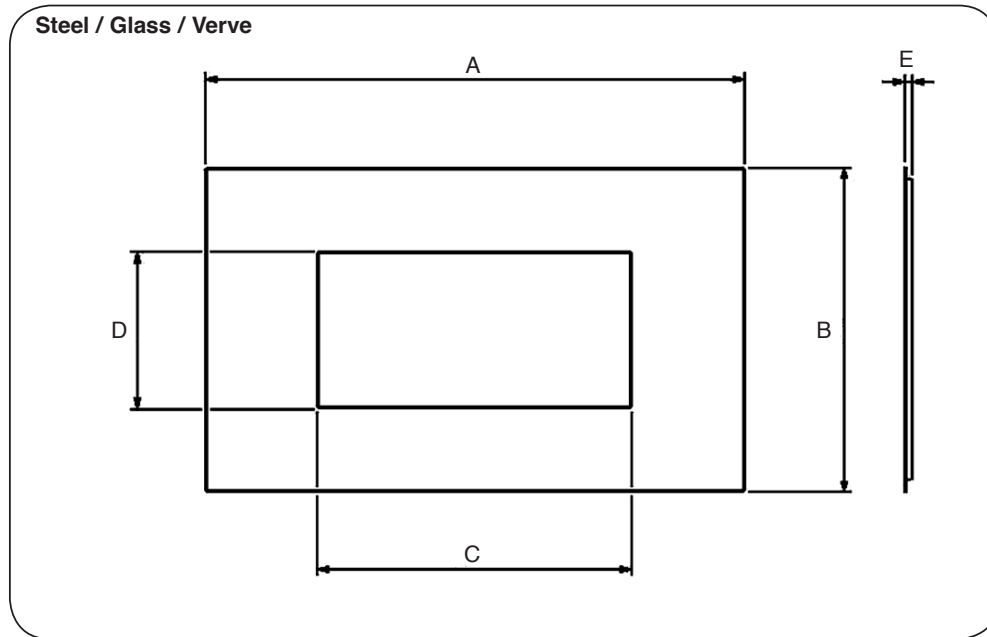
Bauhaus Fronts					
Model	A	B	C	D	E
Studio 1/ Slimline Balance Flue	850	524	740	414	28
Studio 1 Conventional Flue	860	534	750	424	28
Studio 2/ Duplex Balanced Flue	1050	524	940	414	28
Studio 2 Conventional Flue	1060	534	950	424	28
Studio 3 Balanced Flue	1440	524	1330	414	28



Expression Frame					
Model	A	B	C	D	E
Studio 1/ Slimline Balance Flue	940	614	740	414	40
Studio 1 Conventional Flue	950	624	750	424	40
Studio 2/ Duplex Balanced Flue	1140	614	940	414	40
Studio 2 Conventional Flue	1150	624	950	424	40
Studio 3 Balanced Flue	1530	614	1330	414	40

Installation Instructions

1. Studio 1, 2, 3, Duplex & Slimline Frame Dimensions continued



Open Fronted Studio

Steel Fronts					
Model	A	B	C	D	E
Studio 1	1118	478	654	328	13
Studio 2	1354	508	854	328	13
Studio 3	1844	528	1244	328	13

Glass Fronts					
Model	A	B	C	D	E
Studio 1	1264	528	650	324	17
Studio 2	1500	528	850	324	17
Studio 3	1990	528	1240	324	17

Verve Fronts -					
Model	A	B	C	D	E
Studio 1	1264	528	650	324	54
Studio 2	1500	528	850	324	54
Studio 3	1990	528	1240	324	54

Glass Fronted Studio

Steel Fronts					
Model	A	B	C	D	E
Studio 1/ Slimline	1264	528	846	320	27
Studio 2/ Duplex	1500	528	846	320	27
Studio 3	1990	528	1236	320	27

Glass Fronts					
Model	A	B	C	D	E
Studio 1/ Slimline	1264	528	650	324	29
Studio 2/ Duplex	1500	528	852	324	29
Studio 3	1990	528	1240	324	29

Verve Fronts					
Model	A	B	C	D	E
Studio 1/ Slimline	1264	528	650	324	53
Studio 2/ Duplex	1500	528	850	324	53
Studio 3	1990	528	1240	324	53

Installation Instructions

1. General

- 1.1 These instructions are supplemental to and must be read in conjunction with the instructions supplied with the appliance. Read both thoroughly before installing the fire.
- 1.2 Fitting of this decorative front should be carried out after the fire has been installed and commissioning tests completed.

Glass Frame Note:

Warning - the edges and corners of this product can be easily damaged during installation. Leave the protective edging on during handling and only remove when fully installed.

Glass Fronted Studio

THE BRACKETS MUST BE ATTACHED TO THE OUTER BOX BEFORE THE APPLIANCE IS INSTALLED.

Before fitting the frame please ensure the correct fixing brackets are used for Conventional Flue & Balanced Flue products - see table below.

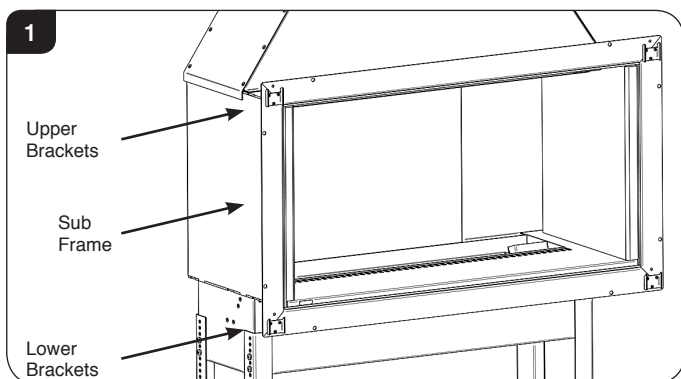
	Conventional Flue Bracket Set	Balanced Flue Bracket Set
Studio 1	GZ6696 x 2 (Top) GZ6695 x 2 (Bottom)	GZ6352 x 2 (Top) GZ6353 x 2 (Bottom)
Studio 2	GZ6696 x 2 (Top) GZ6695 x 2 (Bottom)	GZ6352 x 2 (Top) GZ6353 x 2 (Bottom)
Studio 3	N/A	GZ6352 x 3 (Top) GZ6353 x 3 (Bottom)
Studio 22	N/A	GZ6352 x 2 (Top) GZ6353 x 2 (Bottom)

Open Fronted Studio:

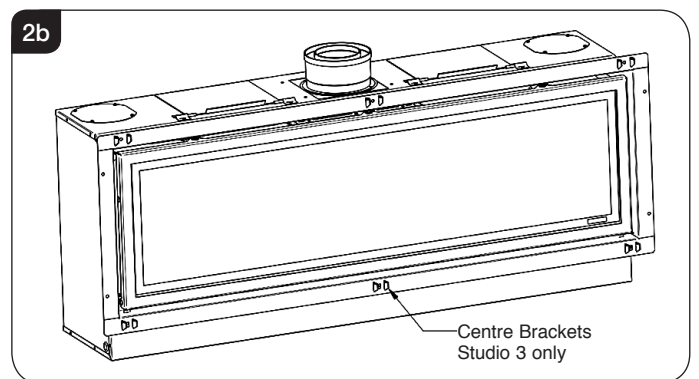
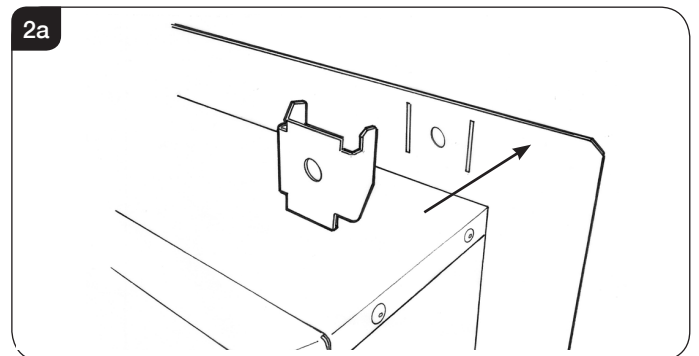
Open Fronted Studio Frames are supplied with a separate sub-frame with integrated brackets. The Subframe must be fitted during the appliance installation, see Studio Open Installation Instructions PR0793.

2. Fitting the Brackets

- 2.1 Open Fronted Studio frames are supplied with a separate sub frame, Diagram 1, for fitting instructions see Open Fronted Studio Installation Instructions PR0793.



- 2.2 For Glass Fronted Studios there are multiple brackets to secure the top and bottom of the frame, see Diagrams 2a & 2b and previous table.



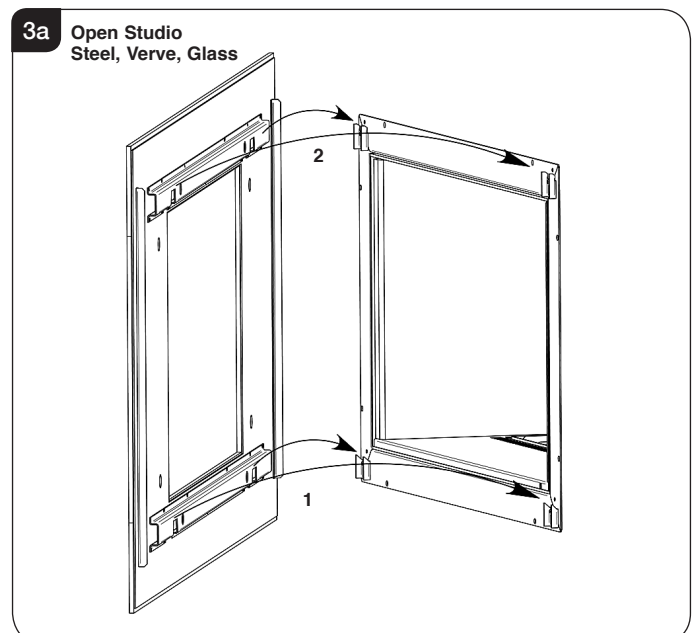
3. Securing Frame to the Fire

The fitting of the frame requires 2 people

- 3.1 To attach the frame:

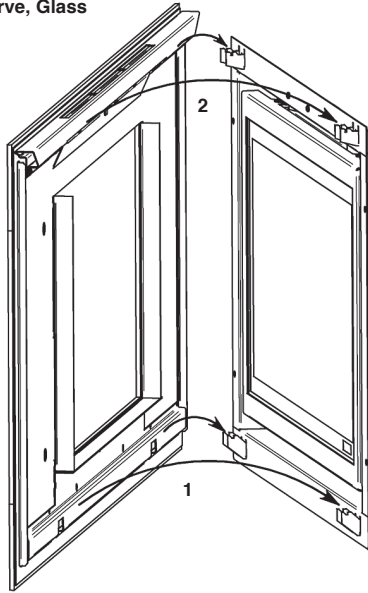
Rest the lower fixing angle of the frame onto the bottom brackets attached to the appliance flange (1).

Lift the upper angle onto the top brackets (2) and lower, see Diagrams 3a, 3b, 3c and 3d.

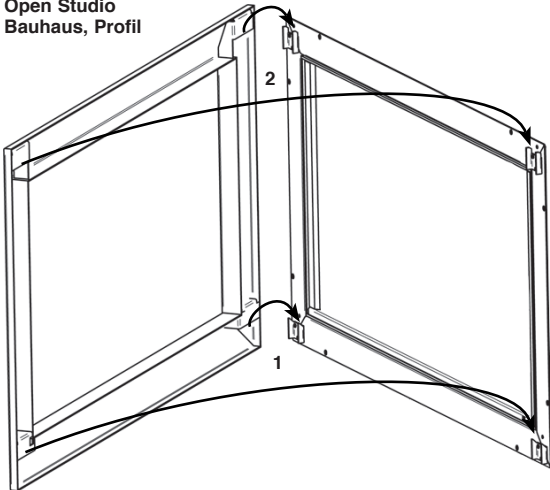


Installation Instructions/ User Instructions

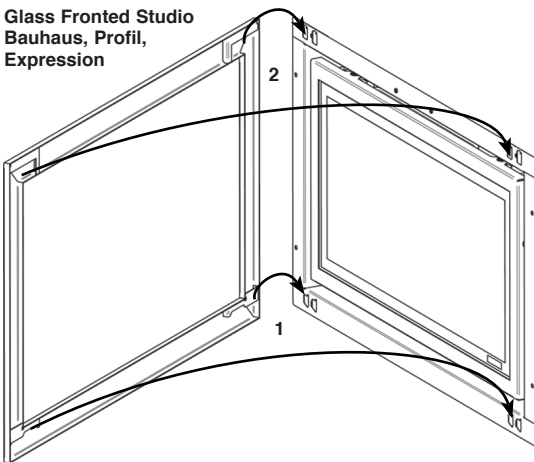
3b Glass Fronted Studio
Steel 2, Verve, Glass



3c Open Studio
Bauhaus, Profil



3d Glass Fronted Studio
Bauhaus, Profil,
Expression



1. Cleaning the Frame

Ensure the appliance is cold before attempting to clean the front.

1.1 Glass:

Use a non-abrasive glass cleaner and soft cloth.

Buff the surface of the glass to provide a smear free finish.

1.2 Steel:

The painted finish should be cleaned using a damp cloth and buffed with a lint free duster.

Gazco Limited, Osprey Road, Sowton Industrial Estate, Exeter, Devon, England EX2 7JG
Technical Customer Services: (01392) 261950 Fax: (01392) 261951
E-mail: technicalservices@gazco.com

A member of the Stovax Group

E & O E