



# Icon XS Front

For use with the Riva2 & Reflex Ranges



**Instructions for Use and Installation**  
For use in GB, IE (Great Britain and Republic of Ireland)

# Installation Instructions

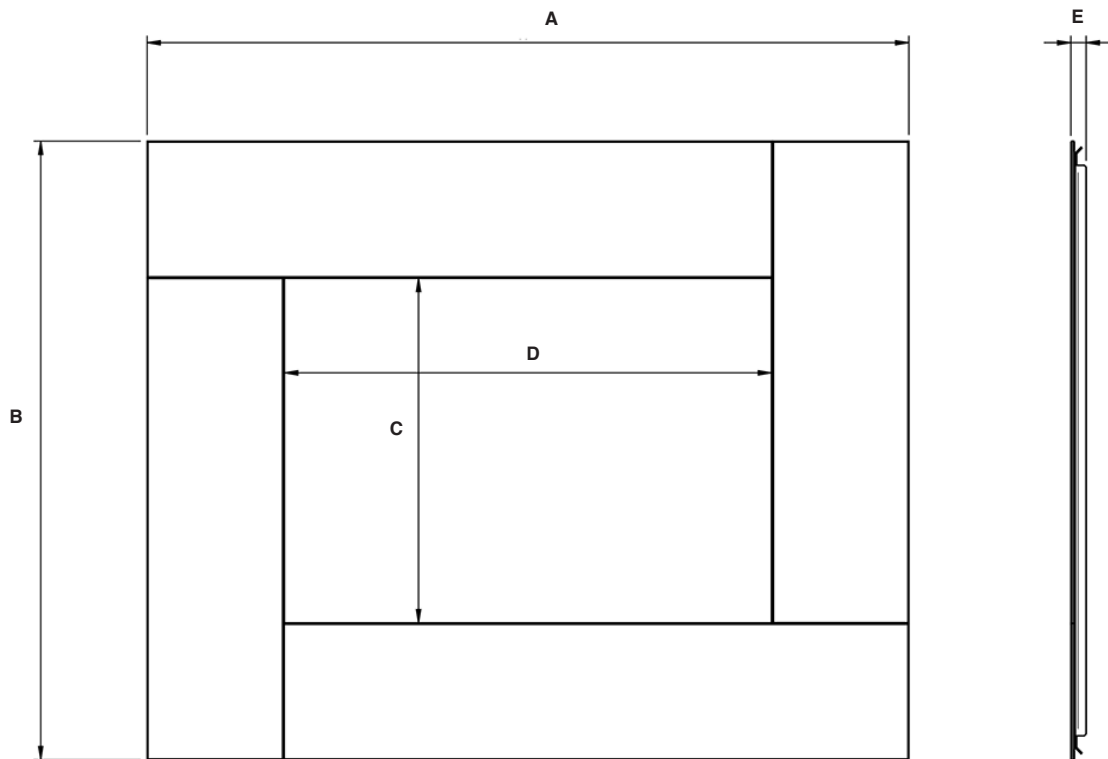
Covering following model numbers:

|                                | Riva2 400 | Riva2 500 | Riva2 500HL | Riva2 600 | Riva2 600HL | Riva2 750/<br>Reflex 75T | Riva2 800 | Riva2 1050/<br>Reflex 105 |
|--------------------------------|-----------|-----------|-------------|-----------|-------------|--------------------------|-----------|---------------------------|
| <b>Icon XS<br/>Black Glass</b> | 934-120   | 934-388   | 934-247     | 934-447   | 934-715     | 934-371                  | 934-325   | 934-334                   |

## 1. General

1.1 These instructions are supplementary to, and must be read in conjunction with, the instructions supplied with the appliance. Read both thoroughly before installing the appliance.

1.2 Fitting of this decorative front should be carried out after the appliance has been installed and commissioning tests completed.



All dimensions in mm

| Model                  | A    | B    | C   | D    | E  |
|------------------------|------|------|-----|------|----|
| Riva2 400              | 617  | 617  | 379 | 379  | 17 |
| Riva2 500              | 855  | 694  | 387 | 547  | 17 |
| Riva2 500HL            | 855  | 828  | 521 | 547  | 17 |
| Riva2 600              | 933  | 668  | 362 | 627  | 17 |
| Riva2 600HL            | 933  | 898  | 592 | 627  | 17 |
| Riva2 750/ Reflex 75T  | 1089 | 1015 | 709 | 783  | 17 |
| Riva2 800              | 1173 | 1068 | 760 | 864  | 24 |
| Riva2 1050/ Reflex 105 | 1443 | 861  | 552 | 1134 | 24 |

**RIVA2 500, 500HL, 600, 750 & REFLEX 75T:**  
PLEASE NOTE: THE RIVA2 500, 500HL, 600, 750 & REFLEX 75T MOUNTING BRACKETS FOR THE ICON XS ARE A COMMON PART THAT IS ALSO USED ON THE GAZCO VERVE XS FRONT. IF DESIRED IT IS POSSIBLE TO ALSO FIT A VERVE XS TO THESE APPLIANCES WITHOUT HAVING TO ALTER ANY SUB FRAME BRACKETS FITTINGS.

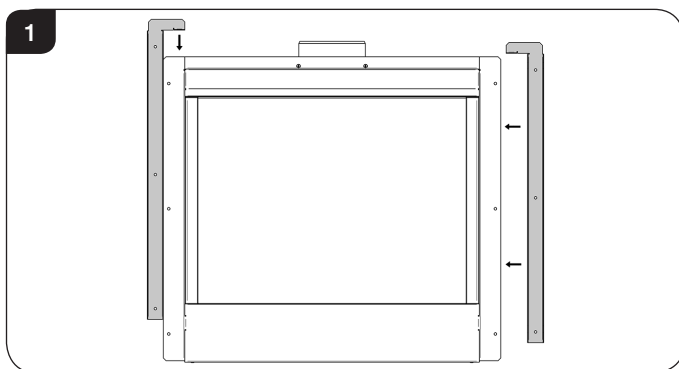
# Installation Instructions

## 2. Fitting the Sub-Frame

- 2.1 Complete the installation of the appliance by following the Installation Instructions supplied with the appliance.
- 2.2 There are two different fitting methods depending on the appliance purchased. Follow the relevant sections below.

### Riva2 400, 500, 500HL, 600, 600HL, 750 & Reflex 75T

- 2.3 Offer the wall mounting brackets to the appliance and position so the interior edges of the sub-frame sit flush with the edges of the appliance flange, see Diagram 1.



- 2.4 Mark the position for the 6 fixing screws.
- 2.5 Remove the mounting brackets and drill the fixing holes and fill with rawl plugs.
- 2.6 Attach the mounting brackets to the wall using the screws provided.

### Riva2 800, 1050, & Reflex 105

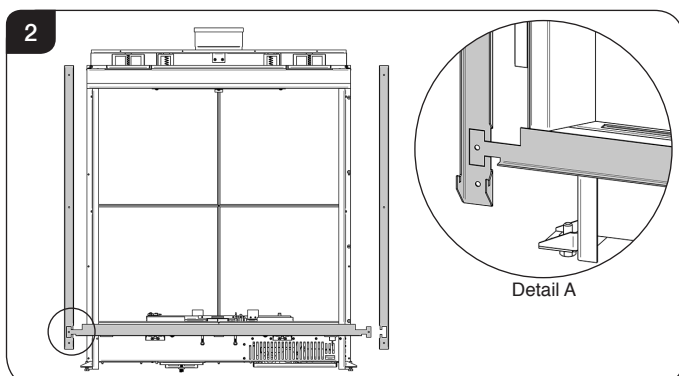


**NOTE: MUST BE FITTED AS AN EDGE INSTALLATION.**

- 2.7 The position for the side mounting brackets are determined by the position of the lower bracket to the appliance.

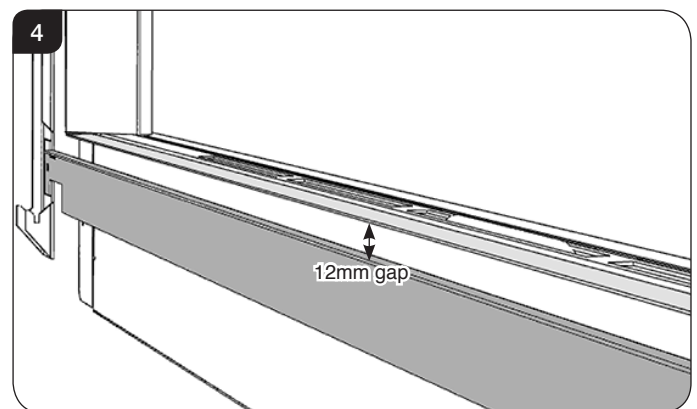
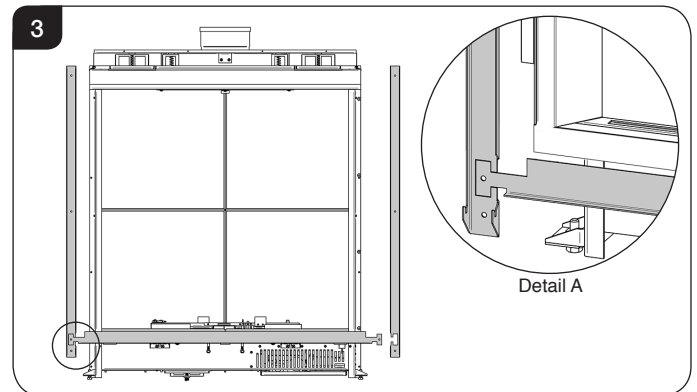
#### RIVA2 800 ONLY:

- 2.8 Offer the bracket to the appliance and position so the top of the bracket is central in front of the appliance and level with the top of the flange, see Diagram 2.



#### RIVA2 1050 & REFLEX 105 ONLY:

- 2.9 Offer the bracket to the appliance and position so the top of the bracket is central in front of the appliance and ensure that a 12mm gap is left between the top of the flange and the top of the lower opening lip, see Diagrams 3 & 4.



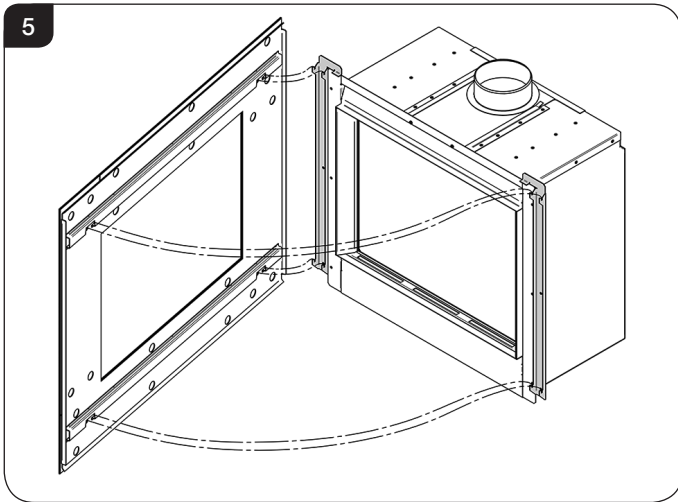
#### RIVA2 800, 1050 & REFLEX 105:

- 2.10 Mark the position for the 2 screw holes.
- 2.11 Remove the bracket and drill the fixing holes.
- 2.12 Fill with rawl plugs before securing the bracket to the wall.
- 2.13 Fit the side mounting brackets in place using the cut outs to fit over the lower bracket tabs, see Diagram 2 Detail A.
- 2.14 Mark the position for the 6 fixings screws.
- 2.15 Remove the mounting brackets and drill the fixing holes and fill with rawl plugs.
- 2.16 Attach the mounting brackets to the wall using the screws provided.

### 3. Fitting the Front

**IT IS RECOMMENDED THAT 2 PEOPLE FIT THIS FRONT FOR EASE OF INSTALLATION, PARTICULARLY LIFTING INTO FINAL POSITION.**

- 3.1 Rest the bottom fixing slots on the bottom locating hooks. Lift the upper front fixing slots onto the top locating hooks and lower into final position, see Diagram 5.



### 4. Cleaning the Front

**Ensure the appliance is cold before attempting to clean the front.**

- 4.1 **Glass:**  
Use a non-abrasive glass cleaner and soft cloth.
- 4.2 **Sub-frame:**  
The metal sub-frame should be cleaned using a damp cloth and buffed with a lint free duster.

**Gazco Limited, Osprey Road, Sowton Industrial Estate, Exeter, Devon, England EX2 7JG**  
**Technical Customer Services (01392) 261950 Fax: (01392) 261951**  
**E-mail: [technicalservices@gazco.com](mailto:technicalservices@gazco.com)**