

# RADIANCE ELECTRIC RANGE

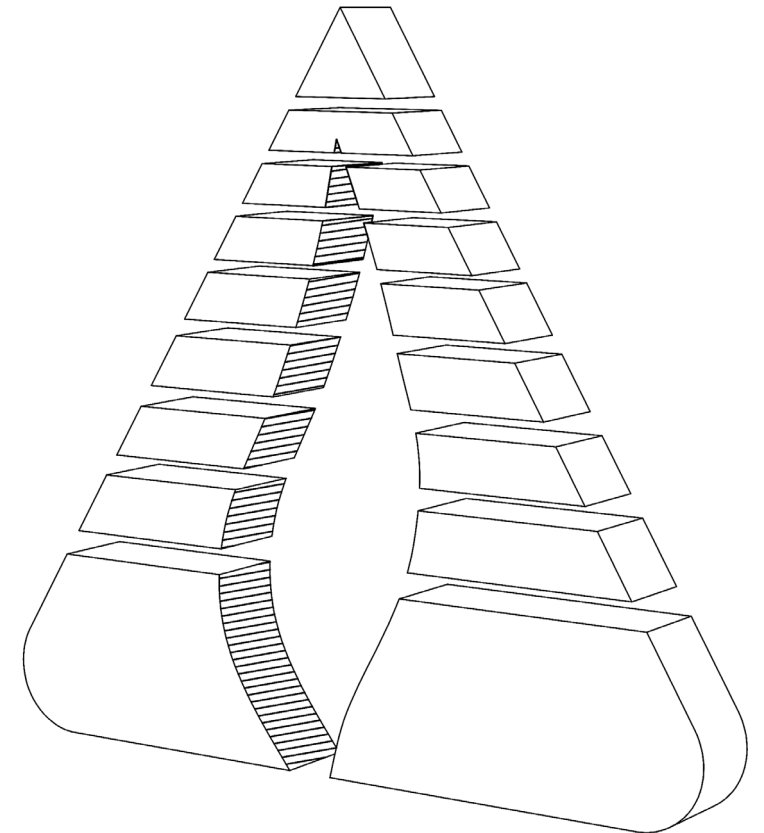
WALL MOUNTED LED FIRE/ CHEMINEE A LED A MONTAGE MURAL/ WANDGEMONTEERDE LED FIRE/  
FOCOLARE LED MONTATO A PARETE/ VEGGMONTERT LED-PEIS/ PŁOMIEN LED MONTOWANY NA SCIANIE/  
ESTUFA LED DE MONTAJE EN PARED/ DUVARA MONTE LED ALEV



DESIGN COMPLIANT



Instructions for Use, Installation & Servicing  
Instructions d'installation et d'utilisation  
Installatie en gebruikershandleiding  
Istruzioni per l'uso, l'installazione e la manutenzione  
Instruksjoner for bruk, installasjon og service  
Instrukcja obsługi, montażu i naprawy  
Instrucciones de instalación y manipulación  
Kurulum ve Kullanıcı Talimatları



# User Instructions

## IMPORTANT

**THE HEATER OUTLET GRILLE BECOMES VERY HOT WHILST IN OPERATION.  
DO NOT COVER THE OUTLET GRILLE OR ANY PART OF THE APPLIANCE.**

For use with 230V 50Hz electricity supply only.

Please read these instructions carefully before installation and keep them in a safe place.


They will be needed when maintenance or servicing is required.

THIS APPLIANCE MUST BE EARTHED

## 1. Important Information and Health and Safety



**HANDLE WITH CARE:  
THE PAINT SURFACE OF DECORATIVE FRAMES CAN  
MARK WHEN HANDLING.  
ALWAYS WEAR THE GLOVES PROVIDED DURING  
INSTALLATION.**

- 1.1 **Read all of the instructions carefully before using the appliance.**
- 1.2 **Remove all packaging and dispose of at an appropriate recycling facility.**
- 1.3 Do not locate this appliance immediately below a fixed socket outlet.
- 1.4 Do not use this appliance in the immediate surroundings of a bath, shower, swimming pool or any other area where the appliance could come into contact with water or humidity, e.g. a bathroom.
- 1.5  **WARNING! DO NOT COVER**  
Do not allow the appliance to be covered or let the air inlet/outlet become obstructed as the appliance may overheat. Please note the warning symbol on the appliance (see above).
- 1.6 **For indoor use only.** This appliance is not suitable for use outside the house.
- 1.7 This appliance must be firmly fixed to or recessed into, a flat internal wall. Ensure that furniture, curtains etc. are positioned no closer than 1m to the appliance.

- 1.8 Where the electricity supply cable has to pass through a fire place, stone surround etc. ensure suitable rubber bushes are fitted at possible wear points.
- 1.9 Keep the power cord away from hot surfaces and hot conditions. Do not route the power lead in front of the appliance.
- 1.10 When the fire has been installed the position of the plug must be accessible.
- 1.11 If the electricity supply cable is damaged do not use the appliance until it has been replaced. For safety reasons the replacement has to be carried out by a Gazco service agent or a similarly competent electrician.
- 1.12 **CAUTION:** In order to avoid a hazard due to inadvertent resetting of the thermal cut-out, this appliance must not be supplied through an external switching device, such as a timer, or connected to a circuit that is regularly switched on and off by the utility.
- 1.13 Do not operate the appliance if it is damaged.
- 1.14 Repairs of electrical appliances must only be performed by an electrical engineer. Should the appliance fail to operate, or in case of any damage, please contact the retailer from whom the appliance was purchased.
- 1.15 This appliance can be used by children aged from 8 years and above and persons with reduced physical, sensory or mental capabilities or lack of experience and knowledge if they have been given supervision or instruction concerning use of the appliance in a safe way and understand the hazards involved. Children of less than 3 years should be kept away unless continuously supervised.  
  
Children aged from 3 years and less than 8 years shall only switch on/off the appliance provided that it has been placed or installed in its intended normal operating position and they have been given supervision or instruction concerning use of the appliance in a safe way and understand the hazards involved. Children aged from 3 years and less than 8 years shall not plug in, regulate and clean the appliance or perform maintenance.

### However Gazco recommend:

**This appliance is not intended to be used by persons under the age of 12, persons with reduced physical, sensory or mental capabilities or persons with lack of experience and knowledge in the safe operation of the appliance.**

The appliance may be operated by persons above the age of 12 provided they have been instructed in the safe use of the appliance and that they understand the hazards involved. Persons above the age of 12 may also operate the appliance under the supervision of a responsible adult.

Parts of this appliance become hot whilst in operation and under no circumstances should persons under the age of 12 be left alone with the product when it is in operation unless a suitable fireguard is used to protect them against the possibility of coming into direct contact with the appliance.

Children shall not play with the appliance.

Cleaning and user maintenance shall not be made by children without supervision.

# User Instructions

## 2. Operating Instructions



**WARNING!** Do not operate the appliance if it is damaged or has malfunctioned. If you suspect the appliance is damaged or has malfunctioned call a qualified service engineer to inspect the appliance, and replace any part of the electrical system if necessary, before reuse.

Do not disconnect the power at the mains supply whilst the appliance is running. Use the functions on the remote to turn the fire off and ensure the mains switch has been moved to the off position before disconnecting.

### GENERAL

- 2.1 The appliance can be operated by the radio frequency handset or the manual controls which are on the right hand side of the viewing window.



**NOTE:** To use both remote and manual functions the manual on/off switch must be in 'ON' position. In order to prevent the product becoming too hot, there is a 10s delay when turning on the heater and a 10s delay when turning off the heater fan.

The manual button controls basic functions, not a full range of controls. Use the remote hand set to carry out all functions.

### PREPARATION BEFORE USE

#### Batteries:

- 2.2 Ensure that the handset batteries are new and inserted correctly.
- 2.3 Dispose of old batteries at an appropriate recycling facility.

#### LOCATION OF POWER SWITCH

- 2.4 The mains power switch is located on the control panel located on the right-hand side of the appliance, see Diagram.

### Wall Mounted

Access from the right hand side of the decorative front.

### Semi Recessed Installation

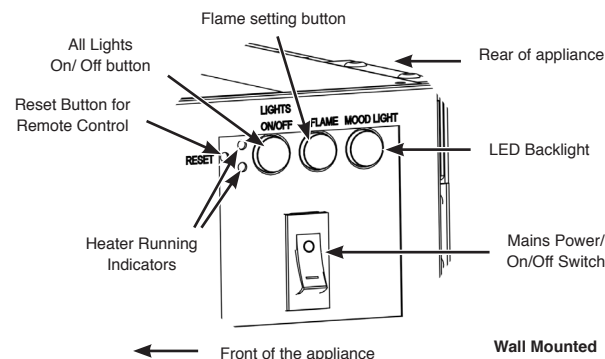
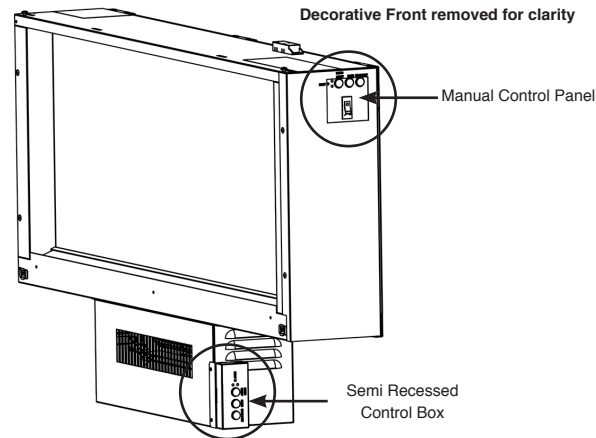
Remove the decorative front. The switch can now be accessed through the cutout in the recess bracket.

The appliance must be isolated from the mains supply.

## 2a. Manual Control Panel

### Wall Mounted Appliances

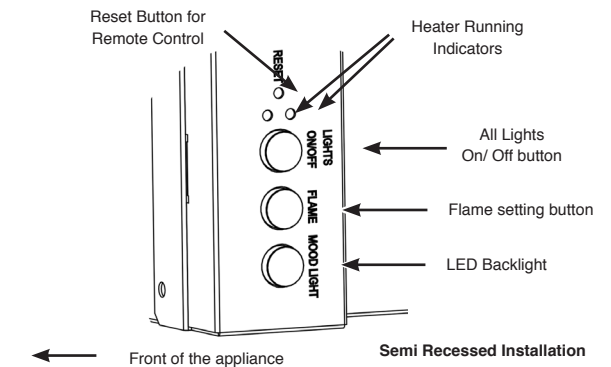
- 2a.1 The manual controls are on the right hand side of the outer casing behind the decorative front, see Diagrams.



### Semi Recessed Appliances

- 2a.2 Access to the manual controls on the side of the appliance is restricted when the appliance has been installed in a semi recessed installation.

This appliance has an additional control box fitted to the right hand side of the heater unit, see Diagram.



- 2a.3 Turning on the appliance with the main power switch on '—' position. A long beep will be heard.
- 2a.4 Press "LIGTHS ON/OFF" to turn on or turn off both the flame and fuel bed at the same time.
- 2a.5 There are 3 flame colour options:  
Press "FLAME" button to select the colour of flame (3 kinds of flame colour with flame) or return to the OFF position.
- 2a.6 Press "LED BACKLIGHT" button to select the colour of LED backlighting (14 colour options) or return to the OFF position.

**Note:** The appliance will lose the memory for the light functions when the switch is set to the Off Position or the remote runs out of power.

### Heater Running Indicators (see Diagram)

- 2a.7 When the fan heater is used in conjunction with the flame or fuel bed effects the heater running indicators will light up for 10 seconds.

The LEDs will illuminate for 10 seconds if the flame or fuel bed effect is On.  
If the fan heater is used independently, the heater running indicators will stay on.

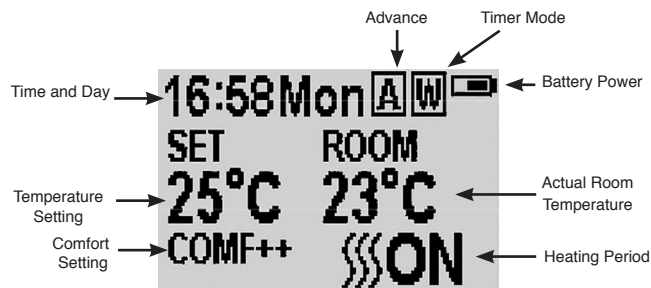
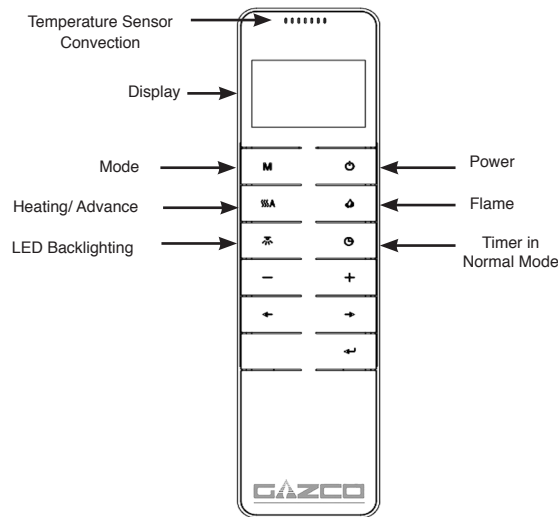
# User Instructions

## Reset Button for Remote Control

2a.8 If the handset loses signal or needs to be replaced then, see Servicing Section for details.

## 2b. Remote Controls

The remote control should be left on a flat surface in the room where the appliance is installed and away from any direct flow of hot air.



## Signal Code

2b.1 The remote control works by radio signal. The handheld transmitter is configured in the factory with a unique signal code.

**IMPORTANT: If the handset loses signal or needs to be replaced then, see Servicing Section for details.**

## Turn on/off

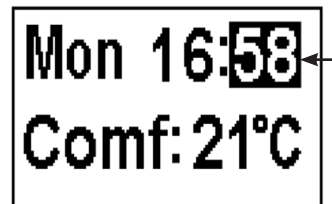
- 2b.2 Press button to turn on the flame effect.
- 2b.3 Press button to turn off all the functions under the normal heating control mode including flame effect and fan heater.
- 2b.4 Press button to turn off the flame effect under daily and week timer heating mode.

## Week Days/ Time/ Comfort Temperature and Unit Setting

On activation it is recommended that the clock is reset to the correct time to ensure accuracy of the appliance operation.

- 2b.5 Hold the **M** button for 3 seconds to enter the setting screen.
- 2b.6 Press the '<' or '>' button to choose setting to change.

The selected character will be highlighted, see Diagram.



2b.7 Press the '+' or '-' button to adjust the number.

Time: 24-hour system.  
Select Comfort temperature from 15-25°C.  
Temperature unit: °C/°F.

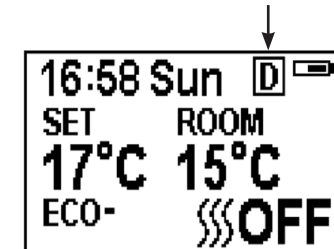
2b.8 Press the button for 3 seconds or wait 10 seconds to save and exit the week, time and heating temperature setting.

## Daily Timer Heating

2b.9 The following heating periods have been preset, these can be altered if desired:

06:00 until 08:00  
17:00 until 22:00

2b.10 Press **M** until **D** shows at the upper right corner of the screen to enter the daily timer heating mode.

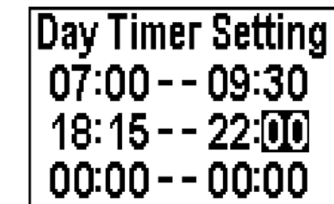


2b.11 Hold the button for 6 seconds to enter the daily heating setting.

A maximum of 3 timed heating periods can be set per day.

2b.12 Press '<' or '>' to choose hour or minute.

2b.13 Press '+' or '-' to set the number.  
The minute increment / decrement by 15min per press.



2b.14 Hold the button for 3 seconds or wait for 10 seconds to save and exit the heating time period setting.

# User Instructions

2b.15 Check the timer setting. Press to check the daily timer mode.

2b.16 If the heating needs to be turned off, it will be necessary to go back to the Normal Control Mode to it turn off.

**When in Daily Timer Mode switching the appliance off with the remote will stop the light output. The heat output will continue according to the timer settings.**

### Adjusting the Set Temperature

2b.17 Press the '+' or '-' button to increase or decrease the temperature on the basis of COMF temperature.

COMF means the actual temperature is the same as setting.

ECO means the actual temperature is 2°C lower than the setting temperature.

ECO- means 4°C lower, COMF+ means 2°C higher.

COMF++ means 4°C higher.

### Adaptive start control

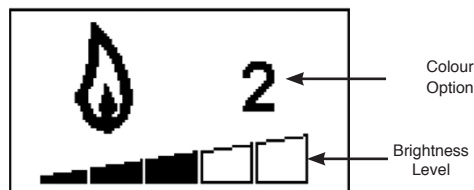
According to room temperature and set-pointed temperature, the heater will automatically determine the appropriate time to heat to ensure that it will reach the set-pointed temperature in the set time (up to 45 minutes prior to the set time).

### Flame Colour Adjustment

2b.18 Press button to enter the flame adjustment screen.

There are 3 flame colour options, indicated by the number shown in Diagram.

There are 6 levels of brightness, including off. This is indicated by the bar, with the blank bar indicating off, see Diagram.



2b.19 Press the '<' or '>' button to cycle through the flame colour options.

2b.20 Press the '+' button to increase the flame brightness.

Press the '-' button to decrease the flame brightness until off.

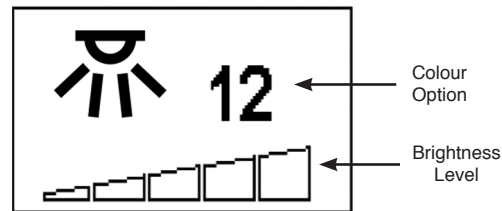
### LED Backlight Colour Adjustment

If the decorative front has an LED feature:

2b.21 Press to enter the Backlight adjustment screen.

There are 14 colour options, indicated by the number shown in Diagram.

There are 6 levels of brightness, including off. This is indicated by the bar, with the blank bar indicating off, see Diagram.



2b.22 Press the '<' or '>' button to cycle through the Backlight colour options.

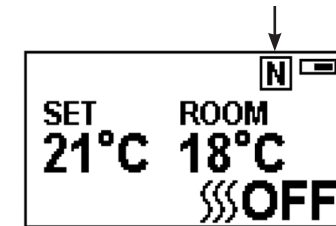
2b.23 Press the '+' button to increase the Backlight brightness.

Press the '-' button to decrease the Backlight brightness until off.

### Normal Control Mode

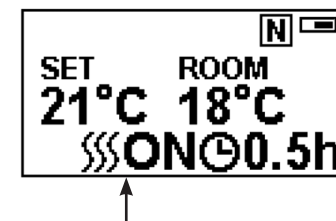
2b.24 Normal Control Mode is the default setting.

Alternatively press **M** button until the **N** logo is shown at the upper right corner of the screen, see Diagram.



2b.25 Press the '+' or '-' button to adjust the setting temperature from 17°C to 25°C.

2b.26 Press **A** button to turn the heat on/off, ON or OFF will show at the lower right corner of the screen, see Diagram.



Note: It is normal for the fan heater to stop running for periods of time. This happens if the room temperature is higher than the temperature set on the control.


The heater indicator will be turned off after 10s if the flame is switched ON. The heater indicator will stay ON if only the heating function is used.

**When in Normal Control Mode switching the appliance off with the remote will stop both the light and heat output.**

# User Instructions

## Count Down Timer




This setting is only in normal heating control mode. It allows the appliance to be returned to Standby after a set period of time. The heater must be switched on to use this function.

- 2b.27 Press  to cycle through the setting from Off and 0.5 hours to 9 hours. Timer logo and remaining time will show on the screen.

The heater of appliance can be automatically run by using daily timer and weekly timer on the remote.

## Battery

The battery power level is indicated at the top right of the remote control screen, see Diagram.

	Battery Full	No action required
	Battery Half Power	Ensure new batteries are available.
	Battery Empty	Replace batteries immediately

Battery replacement is recommended after 1 year. The Remote requires two 1.5V alkaline AAA batteries.


**Changing the batteries will not affect the Timer Mode settings, however, the clock may need adjusting.**

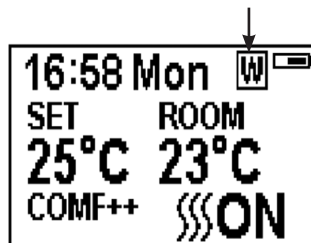
## Week Timer Heating


- 2b.28 The following heating periods have been preset, these can be altered if desired:



From Monday to Friday  
06:00 until 08:30  
17:00 until 22:00


From Saturday to Sunday  
06:30 until 09:30  
11:00 until 13:00  
17:00 until 22:00

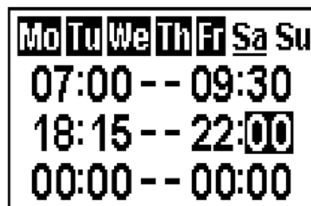
- 2b.29 Press **M** until  shows at the upper right corner of the screen to enter the week heating mode.




- 2b.30 Hold the  button for 6 seconds to enter the week timer heating mode setting.

- 2b.31 Press '' or '' to move the cursor (a flashing underline).

- 2b.32 Press the  button in the corresponding week position to select (the character is highlighted) or cancel (the character is displayed normally) the current setting, the same time period can be selected together.




- 2b.33 Press the '' button to move the cursor to the time period setting area.


- 2b.34 Press '' or '' button to choose hour or minute.



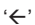
- 2b.35 Press '+' or '-' to set the number.

A maximum of 3 timed heating periods can be set per day.

Minute increment / decrement by 15min per press.

- 2b.36 Press  to set the heating time for the selected day and return to the week line.

- 2b.37 Hold the  button for 3 seconds or wait for 10 seconds to save and exit the heating time period setting.

- 2b.38 Press  '' or '' to check the timer setting for the week timer heating mode.

- 2b.39 If the heating needs to be turned off, it will be necessary to go back to the Normal Control Mode to it turn off.

**When in Weekly Timer Mode switching the appliance off with the remote will stop the light output. The heat output will continue according to the timer settings.**

## Adjusting the Set Temperature

- 2b.40 Press the '+' or '-' button to increase or decrease the temperature on the basis of COMF temperature.

COMF means the actual temperature is the same as setting.

ECO means the actual temperature is 2°C lower than the setting temperature.

ECO- means 4°C lower.

COMF+ means 2°C higher.

COMF++ means 4°C higher.

## Adaptive start control

According to room temperature and set-pointed temperature, the heater will automatically determine the appropriate time to heat to ensure that it will reach the set-pointed temperature in the set time (up to 45 minutes prior to the set time).

# User Instructions

## Advance mode

2b.41 The heating state can be advanced to the next period is under both the daily and week timer heating mode.



If the heater is on in the current period, pressing the button will turn the heater off.

If the heater is off in the current period, pressing the button will turn the heater on.

Whether the actual heating will be on/off also depends on the room temperature and setting temperature.

2b.42 Press **SSA** to enter the Advance mode under the daily and week timer heating mode, **A** will show at the upper right corner of the screen.

2b.43 Press **SSA** again or timer period ends will exit the Advance mode.

## Window open detecting

2b.44 When the transmitter detects a rapid drop in room temperature, it will be judged as an open window: the warning icon will be displayed and the heating will be turned off automatically.



2b.45 After indoor temperature rise or manual intervention (by operating remote control), it will return to normal working state.

## 3. Removing Decorative Fronts



**IMPORTANT: TAKE CARE WHEN HANDLING. THIS DECORATIVE FRONT IS HEAVY. LIFT WITH CAUTION. HANDLING WILL REQUIRE 2 PEOPLE.**



**BEFORE REMOVING A DECORATIVE FRONT WITH LED EFFECT ISOLATE THE APPLIANCE FROM THE MAINS SUPPLY.**

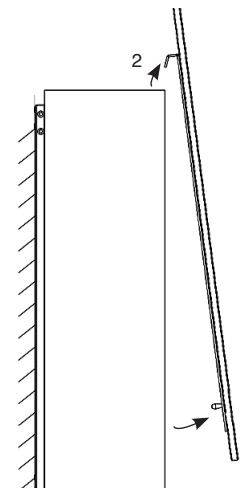
3.1 If the decorative front has an LED feature:

Withdraw the LED lighting plug from behind the glass and disconnect the cables.

3.2 Undo the 2 screws in the tabs at the top of the appliance.

3.3 Carefully pull the bottom edge of the decorative front forward to disengage the lower pins from the bottom slots, see Diagram (1).

3.4 Lift the decorative front free from the slots in the top of the appliance, see Diagram (2).



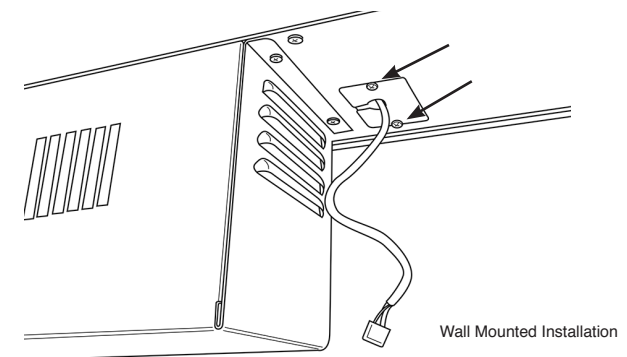
3.5 Replace in reverse.

## LED Backlighting

If the backlight cable is not required it can be stored behind the access panel at the bottom of the appliance.

With the decorative frame removed:

3.6 Remove the 2 screws securing the access panel to the underside of the firebox, see Diagram.

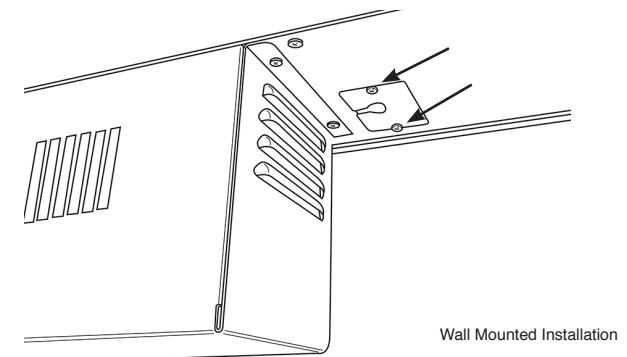


3.7 Place the cable into the appliance.



**PLEASE ENSURE NO WIRES ARE TRAPPED BEFORE REPLACING THE ACCESS PANEL.**

3.8 Replace the access panel and secure with the 2 screws, see Diagram.



# User Instructions

## 4. Maintenance

- 4.1 **ALWAYS UNPLUG FROM MAINS SUPPLY BEFORE CLEANING OR UNDERTAKING ANY MAINTENANCE.**

### GENERAL CLEANING

- 4.2 Only clean the outer casing when it is cold. Do not use abrasive cleaners.

### CLEANING FRONTS

- 4.3 Wipe the front with a damp cloth and buff with a lint free duster.

**Caution: Do not use abrasive cleaners on the glass panel. Do not spray liquids directly onto any surface of the unit.**

### CLEANING THE FUEL EFFECT

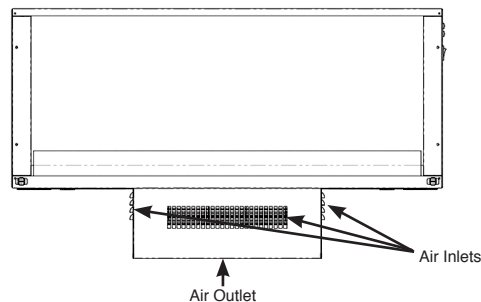
- 4.4 Ensure the appliance is unplugged.
- 4.5 Remove the decorative front, see Section 3.
- 4.6 Remove and wash the fuel effect to remove any dust particles. Alternatively clean with a lint free duster.  
**Ensure that the effect is dry before replacing.**

When replacing the fuel effect ensure that it is evenly spread across the fuel bed.

Stone Effect only: Randomly space the clear effect throughout the fuel bed.

### CLEANING AIR INLETS

- 4.7 Ensure the appliance is unplugged.
- 4.8 Clean the air inlet and outlet grilles regularly with a soft cloth or the nozzle of a vacuum cleaner.



**Dust build-up can inhibit efficient performance of the fan and lead to the safety cut-out operating.**

- 4.9 Keep the area around the appliance clean and free of fluff, dust or pet hair.
- 4.10 In particular, build-up of dust etc. can occur around the heater area. Take particular care to keep this area free from such particles on a regular basis to prevent build-up.

### BATTERY REPLACEMENT

- 4.11 When the remote batteries are low they must be changed immediately. Install correct replacements and dispose of the old batteries carefully.



# Instructions d'Utilisation

## IMPORTANT

**LA GRILLE D'ÉVACUATION DU SYSTÈME DE CHAUFFAGE DEVIENT TRÈS CHAUDE LORS DU FONCTIONNEMENT. NE PAS COUVRIR LA GRILLE D'ÉVACUATION NI TOUTE AUTRE PARTIE DE L'APPAREIL.**


Pour utilisation uniquement avec une alimentation électrique de 230V, 50Hz.

Veuillez lire ces instructions avec attention avant de procéder à l'installation, et les conserver en lieu sûr car vous en aurez besoin en cas de maintenance et de service.

CET APPAREIL DOIT ÊTRE RELIÉ À LA TERRE

## 1. Informations Importantes Et Hygiène Et Sécurité

**MANIPULER AVEC SOIN:  
LA SURFACE DE PEINTURE DE CADRES DÉCORATIFS  
PEUVENT MARQUER LORS DES MANIPULATIONS.  
TOUJOURS PORTER LES GANTS FOURNIS  
PENDANT L'INSTALLATION.**

- 1.1 **Lisez attentivement toutes les instructions avant d'utiliser l'appareil.**
- 1.2 **Les emballages doivent être jetés dans un centre de recyclage approprié.**
- 1.3 Ne pas placer l'appareil immédiatement au-dessous d'une sortie fixe de prise.
- 1.4 Ne pas utiliser cet appareil à proximité immédiate d'une baignoire, d'une douche, d'une piscine ou de tout autre lieu où l'appareil risque d'être en contact avec l'eau.
- 1.5  **ATTENTION: NE PAS RECOUVRIR!**  
ATTENTION: Ne pas recouvrir l'appareil ou boucher l'arrivée / la sortie d'air car cela risque de provoquer la surchauffe de l'appareil. Veuillez noter le symbole d'avertissement sur l'appareil (voir ci-dessus).
- 1.6 **Uniquement pour utilisation à l'intérieur.** Cet appareil n'est pas adapté à une utilisation à l'extérieur de la maison.

- 1.7 Éloigner le câble d'alimentation électrique des surfaces chaudes et des zones à haute température. Ne pas faire passer le câble d'alimentation électrique devant l'appareil.
- 1.8 Cet appareil doit être bien attaché sur un mur interne plat ou intégré à celui-ci. Veiller à ce que tout mobilier ou rideau soit positionné à au moins 1 m de l'appareil.
- 1.9 Une fois l'appareil installé, l'emplacement de la prise doit être accessible.
- 1.10 Lorsque le câble d'alimentation électrique doit passer à travers une cheminée, un entourage en pierre, etc., le munir d'une bague en caoutchouc aux points de frottement possible.
- 1.11 Si le câble d'alimentation électrique est endommagé, ne pas utiliser l'appareil jusqu'à ce qu'il ait été remplacé. Pour des questions de sécurité, le remplacement doit être effectué par la société Gazco, un agent de service Gazco ou bien par un électricien compétent.
- 1.12 **ATTENTION :** Afin d'éviter tout danger suite à une réinitialisation accidentelle de la coupure thermique, cet appareil ne doit pas être alimenté par un dispositif de commutation externe, comme un minuteur ou connecté à un circuit qui est régulièrement mis sous et hors tension par l'utilité.
- 1.13 Ne pas utiliser l'appareil s'il est endommagé.
- 1.14 Les réparations des appareils électriques ne doivent être effectuées que par un électricien. Si l'appareil ne fonctionne pas ou en cas de dommages, veuillez contacter le revendeur qui vous a livré l'appareil.
- 1.15 Cet appareil peut être utilisé par des enfants âgés de 8 ans et plus et par des personnes ayant des capacités physiques, sensorielles ou mentales réduites ou manquent d'expérience et de connaissances, si elles sont sous surveillance ou suivent les instructions relatives à l'utilisation de l'appareil de manière sûre et comprennent les risques inhérents. Les enfants de moins de 3 ans doivent toujours être tenus éloignés sauf s'ils sont constamment surveillés.
- Les enfants entre 3 ans et 8 ans ne devront mettre sous/hors tension l'appareil que si ce dernier a été placé ou installé dans sa position d'utilisation normale prévue et sous surveillance ou en suivant les instructions relatives à l'utilisation de l'appareil de manière sûre et s'ils comprennent les risques inhérents. Les enfants entre 3 ans et 8 ans ne devront pas brancher, régler et nettoyer l'appareil ni l'entretenir.

Toutefois, Gazco recommande :

**L'usage de cet appareil est déconseillé aux personnes de moins de 12 ans, aux personnes aux capacités intellectuelles, sensorielles ou physiques limitées ou aux personnes qui manquent d'expérience et de connaissance pour manipuler cet appareil en toute sécurité.**

L'appareil peut être manipulé par des personnes de plus de 12 ans à condition qu'elles aient bien assimilé les consignes de sécurité de l'appareil et qu'elles ont compris les risques encourus. Les personnes âgées de plus de 12 ans peuvent aussi manipuler l'appareil sous la surveillance d'un adulte responsable.

Les pièces de cet appareil deviennent chaudes quand il est en marché et il ne faut en aucun cas laisser des personnes de moins de 12 ans sans surveillance avec le produit en marche à moins qu'un coupe-feu ne soit utilisé pour les empêcher d'entrer en contact direct avec l'appareil.

De ne pas laisser les enfants jouer avec l'appareil.

De ne pas laisser les enfants effectuer le nettoyage et l'entretien sans surveillance.

# Instructions d'Utilisation

FRANÇAIS

## 2. Mode d'emploi



**ATTENTION!** Ne pas allumer l'appareil s'il est endommagé ou en cas de dysfonctionnement. Si vous pensez que l'appareil est endommagé ou en cas de dysfonctionnement, veuillez contacter un technicien de service qualifié pour inspecter l'appareil, et remplacer toutes pièces du circuit électrique si nécessaire avant de le remettre en marche.

De ne pas débrancher l'appareil du secteur **lorsque l'appareil fonctionne**. Utilisez les fonctions de la télécommande pour arrêter le feu et veillez à ce que l'interrupteur d'alimentation soit placé sur la position arrêt avant de débrancher.

### GÉNÉRALITÉS

- 2.1 L'appareil peut être commandé soit par le casque à fréquences radio, soit par les commandes manuelles qui se trouvent à droite de la fenêtre de visualisation.



**REMARQUE :** Pour utiliser les fonctions de la télécommande et manuelles, l'interrupteur marche/arrêt manuel doit être sur la position 'ON'. Pour éviter une surchauffe du produit, il y a un délai de 10 s lors de la mise en marche de l'appareil de chauffage et un délai de 10 s lors de l'arrêt du ventilateur de l'appareil de chauffage.

Le bouton manuel commande les fonctions de base, pas toutes les commandes. Utilisez la télécommande pour exécuter toutes les commandes.

### PRÉPARATION AVANT UTILISATION

#### Piles:

- 2.2 Veiller à ce que les piles électriques de la télécommande soient neuves et insérées correctement.
- 2.3 Lors du remplacement des piles, veiller à disposer des vieilles piles conformément à la bonne pratique.

### EMPLACEMENT DE L'INTERRUPTEUR MARCHÉ/ARRÊT

- 2.4 L'interrupteur d'alimentation secteur se trouve sur le panneau de commande situé du côté droit de l'appareil (voir Schéma).

#### Montage mural

Accès depuis le côté droit du cadre avant décoratif.

#### Installation semi-intégrée

Déposer le cadre avant décoratif. L'interrupteur est maintenant accessible à travers l'orifice du support en retrait.

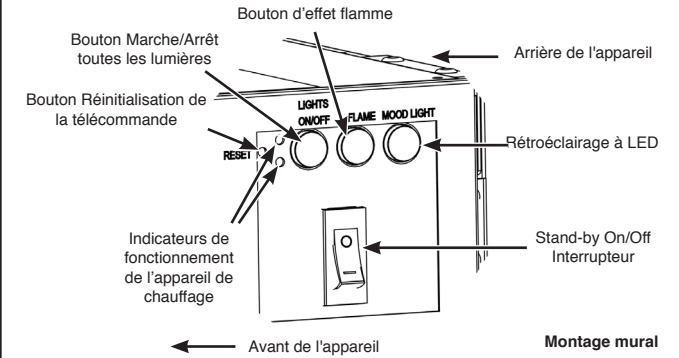
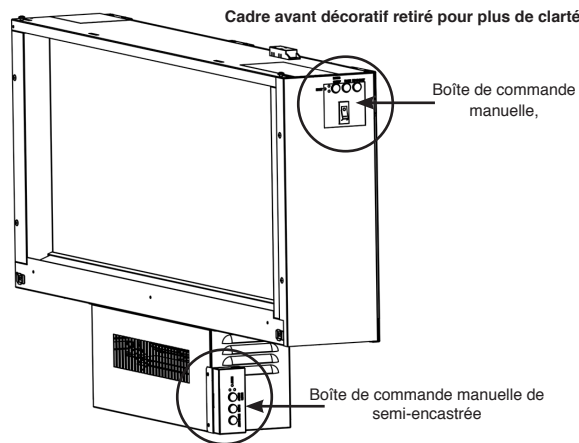
**L'appareil doit être isolé de l'alimentation électrique secteur.**

- 2.5 Allumer l'interrupteur (—) avant d'utiliser la commande à distance ou les commandes manuelles.
- 2.6 Un bip sonore confirmera cette action.

## 2a. Panneau de commande manuelle

### Appareils à montage mural

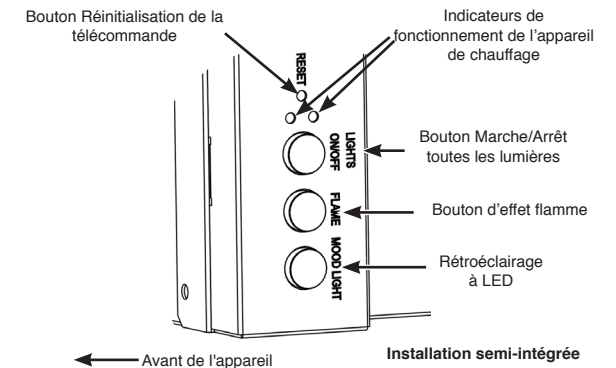
- 2a.1 Les commandes manuelles sont situées à droite du boîtier externe, derrière le cadre avant décoratif, voir Schéma.



### Appareils semi-intégrés

- 2a.2 L'accès aux commandes manuelles sur le côté de l'appareil est restreint une fois que l'appareil est installé dans le cadre d'une installation semi-intégrée.

Cet appareil est doté d'un boîtier de commande supplémentaire installé à droite de l'unité de chauffage, voir Schéma.



- 2a.3 Mise en marche de l'appareil avec l'interrupteur d'alimentation sur la position marche '—'. Un long bip retentira.
- 2a.4 Appuyez sur « LIGHTS ON/OFF » pour allumer ou éteindre la flamme et le lit de combustible en même temps.

# Instructions d'Utilisation

2a.5 Il existe 3 options de couleur de flamme :

Appuyez sur le bouton « FLAME » pour sélectionner la couleur de la flamme (3 types de couleur de flamme avec flamme) ou retournez sur la position ARRÊT.

2a.6 Appuyez sur le bouton « LED BACKLIGHT » pour sélectionner la couleur du rétroéclairage à LED (14 options de couleur) ou retournez sur la position ARRÊT.

**Remarque : Les fonctions d'éclairage de l'appareil seront effacées lorsque l'interrupteur sera placé sur la position Arrêt ou si la télécommande est déchargée.**

### Indicateurs de fonctionnement de l'appareil de chauffage.

2a.7 Lorsque l'appareil de chauffage du ventilateur est utilisé avec les effets flamme ou lit de combustible, les indicateurs de fonctionnement de l'appareil de chauffage s'allumeront pendant 10 secondes.

Les LED s'allumeront pendant 10 secondes si l'effet flamme ou lit de combustible est Activé.

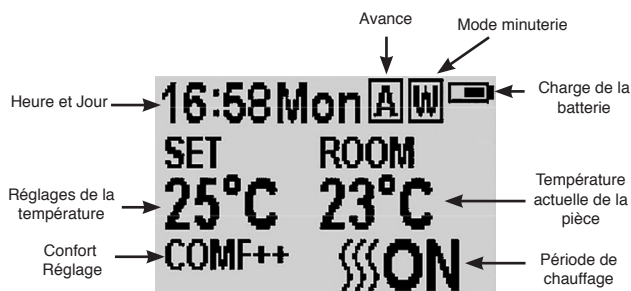
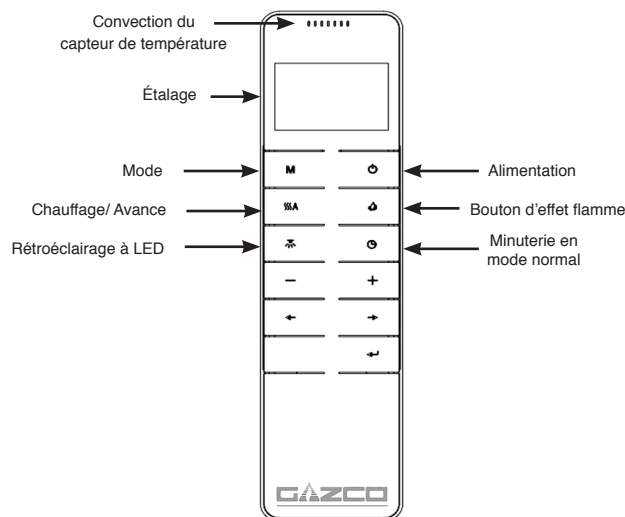
Si l'appareil de chauffage du ventilateur est utilisé indépendamment, les indicateurs de fonctionnement de l'appareil de chauffage resteront allumés.

### Bouton Réinitialisation de la télécommande

2a.8 **Si le casque perd le signal ou doit être remplacé, veuillez consulter la Section réparation pour en savoir plus.**

## 2b. Commandes à distance

**La télécommande doit être posée sur une surface plane dans la pièce où l'appareil est installé et loin du courant d'air chaud direct.**




### Code de signal


2b.1 La télécommande fonctionne par signal radio. L'émetteur portatif est configuré en usine avec un code de signal unique.

**IMPORTANT : Si le casque perd le signal ou doit être remplacé, veuillez consulter la Section réparation pour en savoir plus.**

### Mise sous/hors tension

2b.2 Appuyez sur le  bouton pour activer l'effet flamme.

2b.3 Appuyez sur le  bouton pour désactiver toutes les fonctions en mode de commande de chauffage normal y compris l'effet flamme et l'appareil de chauffage du ventilateur.

2b.4 Appuyez sur le  bouton pour désactiver l'effet flamme en mode de chauffage minuté quotidien et hebdomadaire.

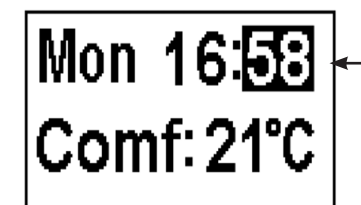
### Réglage de l'unité et de la température de confort/Jours de la semaine/Heure

Lors de l'activation, il est recommandé de réinitialiser l'horloge à l'heure correcte pour assurer la précision du fonctionnement de l'appareil.

2b.5 Maintenez le **M** bouton pressé pendant 3 secondes pour entrer dans l'écran de réglage.

2b.6 Appuyez sur le bouton '←' ou '→' pour choisir le paramètre à changer.

Le caractère sélectionné sera mis en surbrillance, voir Schéma.




2b.7 Appuyez sur le bouton '+' ou '-' pour régler le nombre.

Heure : Système 24 heures.  
Sélectionnez une température de confort entre 15-25°C.  
Unité de température : °C/°F.

# Instructions d'Utilisation

FRANÇAIS

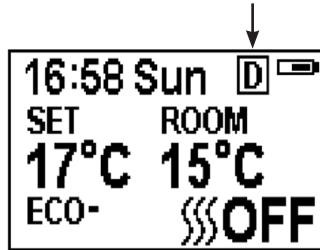
2b.8 Appuyez sur le bouton  pendant 3 secondes ou attendez 10 secondes pour enregistrer et quitter le réglage de la semaine, heure et température.


## Chauffage à minuterie quotidienne



2b.9 Les périodes de chauffage suivantes ont été prédéfinies, celles-ci peuvent être modifiées selon les besoins :

06:00 jusqu'à 08:00  
17:00 jusqu'à 22:00

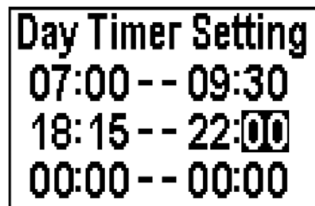
2b.10 Appuyez sur **M** jusqu'à ce que **D** s'affiche en haut à droite de l'écran pour passer en mode de chauffage à minuterie quotidienne.





2b.11 Maintenez le bouton  pressé pendant 6 secondes pour entrer dans le paramètre du chauffage quotidien. 3 périodes de chauffage minutées maximum peuvent par configurées par jour.

2b.12 Appuyez sur '' ou '' pour choisir heure ou minute.

2b.13 Appuyez sur '+' ou '-' pour régler le nombre. Les minutes augmentent / diminuent de 15 par pression.



2b.14 Maintenez le bouton  pressé pendant 3 secondes ou attendez 10 secondes pour enregistrer et quitter le réglage de la période de chauffage.

2b.15 Contrôlez le réglage de la minuterie. Appuyez sur  pour contrôler le mode minuterie quotidienne.

2b.16 Si le chauffage doit être arrêté, il faudra revenir en arrière au Mode de commande normale pour l'arrêter.

**Lorsque vous êtes en Mode minuterie quotidienne, l'arrêt de l'appareil avec la télécommande coupera la puissance calorifique. La puissance calorifique se poursuivra selon les réglages de la minuterie.**

## Réglage de la température définie

2b.17 Appuyez sur le bouton '+' ou '-' pour augmenter ou réduire la température sur la base de la température COMF.

COMF signifie que la température actuelle est la même que le réglage.

ECO signifie que la température actuelle est 2°C inférieure à la température du réglage.

ECO- signifie 4°C inférieure.


COMF+ signifie 2°C supérieure.

COMF++ signifie 4°C supérieure.

## Commande de mise en route adaptative

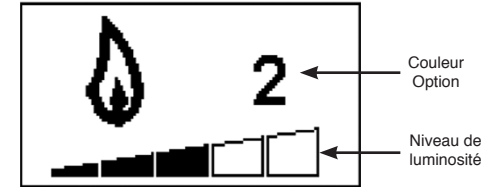
Selon la température de la pièce et la température définie, l'appareil de chauffage déterminera automatiquement l'heure appropriée à laquelle chauffer pour s'assurer qu'elle atteindra la température définie dans la durée définie (jusqu'à 45 minutes avant l'heure définie).

## Ajustement de la couleur de la flamme

2b.18 Appuyez sur le  bouton pour entrer dans l'écran d'ajustement de la flamme.

Il y a 3 options de couleur de flamme, indiquées par le nombre affiché dans le Schéma.

Il y a 6 niveaux de luminosité, y compris arrêt. Ceci est indiqué par la barre, avec la barre vierge indiquant arrêt, voir Schéma.




2b.19 Appuyez sur le bouton '<' ou '>' pour parcourir les options de couleur de flamme.

2b.20 Appuyez sur le bouton '+' pour augmenter la luminosité de la flamme.

Appuyez sur le bouton '-' pour réduire la luminosité de la flamme jusqu'à l'éteindre.

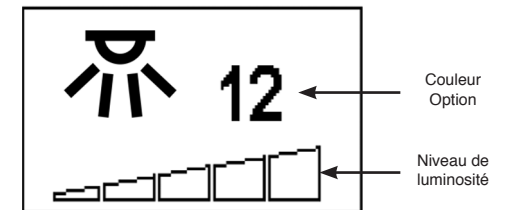
## Ajustement de la couleur du Rétroéclairage à LED

Si le cadre avant décoratif est doté d'une fonction LED:

2b.21 Appuyez sur  pour entrer dans l'écran d'ajustement du rétroéclairage à LED.

Il y a 14 options de couleur, indiquées par le nombre affiché dans le Schéma.

Il y a 6 niveaux de luminosité, y compris arrêt. Ceci est indiqué par la barre, avec la barre vierge indiquant arrêt, voir Schéma.



2b.22 Appuyez sur le bouton '<' ou '>' pour parcourir les options de couleur du Rétroéclairage à LED.

# Instructions d'Utilisation

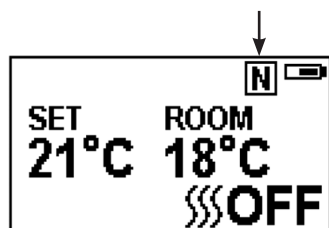
2b.23 Appuyez sur le bouton '+' pour augmenter la luminosité du Rétroéclairage à LED.

Appuyez sur le bouton '-' pour réduire la luminosité du Rétroéclairage à LED jusqu'à l'éteindre.

## Mode de commande normale

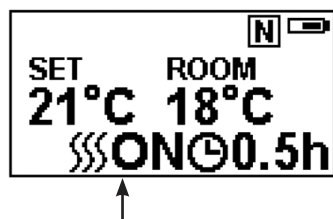
2b.24 Le Mode de commande normale est le réglage par défaut.

Sinon appuyez sur le bouton M jusqu'à ce que le logo **N** s'affiche en haut à droite de l'écran, voir Schéma.



2b.25 Appuyez sur le bouton '+' ou '-' pour régler la température entre 17°C et 25°C.

2b.26 Appuyez sur le bouton **A** pour mettre sous/hors tension l'appareil de chauffage, **MARCHE** ou **ARRÊT** s'affichera en bas à droite de l'écran, voir Schéma.



Remarque : Il est normal que l'appareil de chauffage à ventilateur s'arrête de fonctionner pendant certaines durées. Ceci se produit lorsque la température de la pièce est supérieure à la température définie sur la commande.

L'indicateur de chauffage s'éteindra au bout de 10 s si la flamme est allumée. L'indicateur de chauffage restera allumé si seule la fonction chauffage est utilisée.

**Lorsque vous êtes en Mode de commande normale, l'arrêt de l'appareil avec la télécommande coupera la puissance calorifique et la lumière.**

## Compte à rebours

Ce réglage est uniquement en mode de commande de chauffage normale. Il permet à l'appareil de revenir en mode de veille après un certain temps. L'appareil de chauffage doit être mis en marche pour utiliser cette fonction.

2b.27 Appuyez sur **⏸** pour parcourir les réglages d'Arrêt et 0,5 heures à 9 heures. Le logo de la minuterie et le temps restant s'afficheront à l'écran.

Le chauffage de l'appareil peut être lancé automatiquement en utilisant la minuterie quotidienne et la minuterie hebdomadaire sur la télécommande.

## Batterie

Le niveau de puissance de la batterie est indiqué en haut à droite de l'écran de la télécommande, voir Schéma.

	Batterie chargée	Aucune action requise
	Batterie à moitié chargée	Veillez à avoir des piles neuves à disposition.
	Batterie déchargée	Changez immédiatement les piles

Un remplacement de la batterie est recommandé au bout de 1 an. La Télécommande a besoin de deux piles alcalines AAA 1,5V.

**Le changement des piles n'affectera pas les réglages du Mode minuterie, toutefois, l'horloge devra peut-être être réglée.**

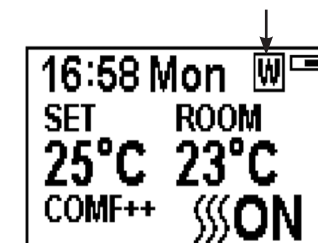
## Chauffage à minuterie hebdomadaire

2b.28 Les périodes de chauffage suivantes ont été prédéfinies, celles-ci peuvent être modifiées selon les besoins :

Du lundi au vendredi  
06:00 jusqu'à 08:30  
17:00 jusqu'à 22:00

Du samedi au dimanche  
06:30 jusqu'à 09:30  
11:00 jusqu'à 13:00  
17:00 jusqu'à 22:00

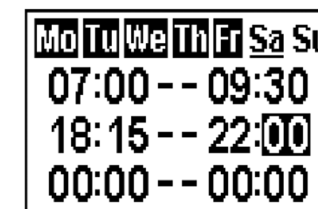
2b.29 Appuyez sur M jusqu'à ce que **W** s'affiche en haut à droite de l'écran pour passer en mode de chauffage semaine.



2b.30 Maintenez le bouton **←** pressé pendant 6 secondes pour entrer dans le réglage du mode de chauffage à minuterie hebdomadaire.

2b.31 Appuyez sur '<' ou '>' pour déplacer le curseur (un caractère de soulignement clignotant).

2b.32 Appuyez sur le bouton **←** à la position semaine correspondante pour sélectionner (le caractère est en surbrillance) ou annuler (le caractère est affiché normalement) le réglage actuel, la même durée peut être sélectionnée.



2b.33 Appuyez sur le bouton '>' pour déplacer le curseur dans la même zone de réglage de durée.

2b.34 Appuyez sur '<' ou '>' pour choisir heure ou minute.


2b.35 Appuyez sur '+' ou '-' pour régler le nombre.


3 périodes de chauffage minutées maximum peuvent par configurées par jour.

Les minutes augmentent / diminuent de 15 par pression.

2b.36 Appuyez sur **←** pour définir l'heure de chauffage du jour sélectionné et retourner à la ligne semaine.

# Instructions d'Utilisation

2b.37 Maintenez le bouton  pressé pendant 3 secondes ou attendez 10 secondes pour enregistrer et quitter le réglage de la période de chauffage.

2b.38 Appuyez sur  '←' ou '→' pour contrôler le réglage de la minuterie pour le mode de chauffage à minuterie hebdomadaire.

2b.39 Si le chauffage doit être arrêté, il faudra revenir en arrière au Mode de commande normale pour l'arrêter.

**Lorsque vous êtes en Mode minuterie hebdomadaire, l'arrêt de l'appareil avec la télécommande coupera la puissance calorifique. La puissance calorifique se poursuivra selon les réglages de la minuterie.**

## Réglage de la température définie

2b.40 Appuyez sur le bouton '+' ou '-' pour augmenter ou réduire la température sur la base de la température COMF.

COMF signifie que la température actuelle est la même que le réglage.

ECO signifie que la température actuelle est 2°C inférieure à la température du réglage.

ECO- signifie 4°C inférieure.

COMF+ signifie 2°C supérieure.

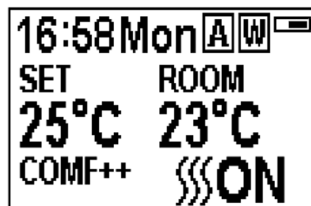
COMF++ signifie 4°C supérieure.

## Commande de mise en route adaptive

Selon la température de la pièce et la température définie, l'appareil de chauffage déterminera automatiquement l'heure appropriée à laquelle chauffer pour s'assurer qu'elle atteindra la température définie dans la durée définie (jusqu'à 45 minutes avant l'heure définie).

## Mode avance

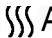
2b.41 L'état de chauffage peut être avancé à la période suivante en mode chauffage à minuterie hebdomadaire et quotidienne.




Si le chauffage est activé dans la période en cours, une pression sur le bouton désactivera le chauffage.

Si le chauffage est désactivé dans la période en cours, une pression sur le bouton activera le chauffage.

L'activation/désactivation du chauffage en cours dépendra également de la température de la pièce et du réglage.

2b.42 Appuyez sur  A pour passer en mode Avance sous le mode de chauffage à minuterie hebdomadaire et quotidienne, [A] s'affichera en haut à droite de l'écran.

2b.43 Appuyez sur  A à nouveau ou attendez la fin de la durée de la minuterie pour quitter le mode Avance.


## Détection de fenêtre ouverte


2b.44 Lorsque l'émetteur détecte une chute rapide de la température de la pièce, elle sera considérée comme une fenêtre ouverte : l'icône d'avertissement s'affichera et le chauffage sera automatiquement désactivé.



2b.45 Une fois que la température ambiante aura remontée ou après une intervention manuelle (en utilisant la télécommande), il retournera à l'état de fonctionnement normal.

## 3. Dépose du cadre avant décoratif

 **IMPORTANT : MANIPULER AVEC SOIN. CE CADRE AVANT DÉCORATIF EST LOURD. LE SOULEVER AVEC LE PLUS GRAND SOIN. SA MANIPULATION NÉCESSITE 2 PERSONNES.**

 **AVANT DE DÉPOSER UN CADRE AVANT DÉCORATIF DOTÉ D'UN EFFET LED, ISOLER L'APPAREIL DE L'ALIMENTATION SECTEUR.**

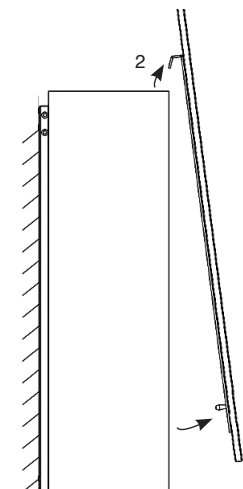
3.1 Si le cadre avant décoratif est doté d'une fonction LED :

Retirer la prise d'éclairage LED de derrière la vitre et débrancher les câbles.

3.2 Dévisser les 2 vis sur les onglets situés en haut de l'appareil.

3.3 Tirer doucement sur le bord inférieur du cadre avant décoratif pour déloger les broches inférieures des encoches du bas, voir Schéma (1).

3.4 Soulever le cadre avant décoratif des encoches situées en haut de l'appareil, voir Schéma (2).



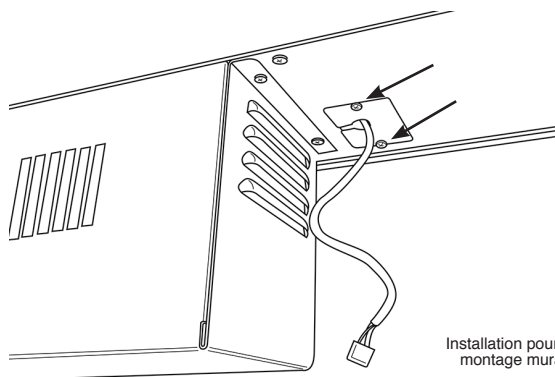
3.5 Remettre les pièces en place en ordre inverse.

## Rétroéclairage à LED

Si le câble de rétroéclairage n'est pas requis, il peut être rangé derrière le panneau d'accès sous l'appareil.

Une fois le cadre décoratif déposé :

- 3.6 Enlever les 2 vis rattachant le panneau d'accès au-dessous de la chambre de combustion, voir Schéma.



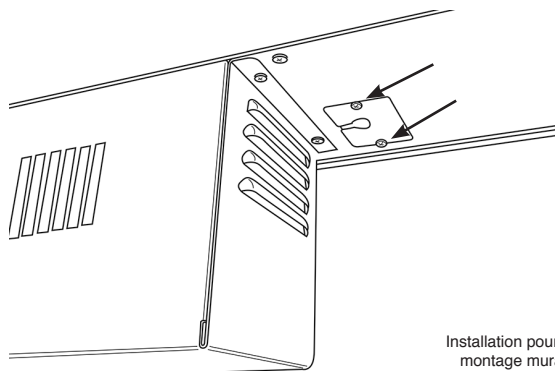
Installation pour un montage mural

- 3.7 Mettre le câble dans l'appareil.



**S'ASSURER QU'AUCUN CÂBLE N'EST COINCÉ AVANT DE REMETTRE LE PANNEAU D'ACCÈS EN PLACE.**

- 3.8 Réinstaller le panneau d'accès et l'attacher à l'aide des 2 vis, voir Schéma.



Installation pour un montage mural

## 4. Maintenance

- 4.1 **TOUJOURS COUPER L'ALIMENTATION ÉLECTRIQUE PRINCIPALE AVANT D'ENTREPRENDRE LE NETTOYAGE OU L'EXÉCUTION DE LA MAINTENANCE.**

### GENERAL NETTOYAGE

- 4.2 Ne procéder au nettoyage du cadre externe que lorsqu'il est froid. Ne pas utiliser de nettoyeurs abrasifs.

### NETTOYAGE DES FAÇADES

- 4.3 Essuyer le cadre avant avec un chiffon humide et le polir avec un chiffon non pelucheux.

**Attention : ne pas utiliser de nettoyeurs abrasifs sur le panneau en verre. Ne pas projeter de liquide directement sur les surfaces de l'appareil.**

### NETTOYAGE DE L'EFFET DE CARBURANT

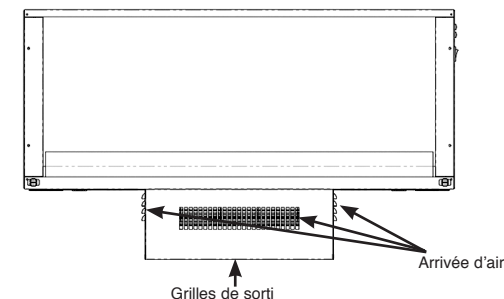
- 4.4 Couper l'alimentation électrique principale.  
4.5 Déposer le cadre décoratif, voir la Section 3.  
4.6 Déposer et laver l'effet combustible pour éliminer toute particule de poussière. Autrement, le nettoyer avec un chiffon sans peluches.  
**Veiller à ce que l'effet soit sec avant de le remettre en place.**

Remarque : Lors de la réinstallation de l'effet combustible, s'assurer qu'il soit réparti de façon homogène sur le lit de combustible.

Effet à pierres uniquement : Répartir l'effet transparent de façon aléatoire sur l'ensemble du lit de combustible.

## NETTOYAGE DES ARRIVÉES D'AIR

- 4.7 Couper l'alimentation électrique principale.  
4.8 Nettoyer l'arrivée d'air (devant et dessous) et les grilles de sortie régulièrement à l'aide d'un chiffon doux ou du bec d'un aspirateur.



**L'accumulation de poussière réduit l'efficacité du ventilateur et peut provoquer le déclenchement du dispositif d'arrêt d'urgence.**

- 4.9 Maintenir les alentours du poêle propres et libres de peluche, de poussière ou de poils d'animaux.  
4.10 En particulier, l'accumulation de poussière etc. peut avoir lieu autour de la zone de chauffage sur le haut de l'appareil. Prendre particulièrement soin de maintenir cette surface libre de débris régulièrement pour éviter l'accumulation.

## REPLACEMENT DES PILES ÉLECTRIQUES

- 4.11 Lorsque les piles électriques de la télécommande sont faibles, elles doivent être remplacées immédiatement. Installer les nouvelles piles correctement et disposer des piles usagées conformément à la bonne pratique.

# Gebruikershandleiding

## BELANGRIJK

**DE GRILL VAN DE VERWARMINGSUITGANG WORDT ERG HEET TIJDENS DE WERKING DEK DE UITGANGSGRILL OF EEN ONDERDEEL VAN HET APPARAAT NIET AF.**

Voor het gebruik met een 230V 50Hz voeding.

Lees deze instructies vóór de installatie zorgvuldig door en berg het op een veilige plek op.

U zult deze nodig hebben wanneer er onderhoud op de haard uitgevoerd moet worden.

DIT APPARAAT MOET WORDEN GEAARD

## 1. Belangrijke Informatie & Veiligheidsvoorschriften

**BREEKBAAR:  
DE VERFOPPERVLAK VAN SIERLIJSTEN KUNNEN  
MARK TIJDENS DE HANTERING.  
DRAAG ALTIJD DE TIJDENS DE INSTALLATIE  
HANDSCHOENEN.**

- 1.1 **Lees de hele handleiding zorgvuldig door, voordat het apparaat gebruikt wordt.**
- 1.2 **Verwijder al het verpakkingsmateriaal. De verpakking moet op de juiste manier tot afval verwerkt worden.**
- 1.3 Plaats deze haard niet rechtstreeks onder een stopcontact.
- 1.4 Gebruik deze haard niet in de onmiddellijke nabijheid van een bad, douche of zwembad, of andere gebieden waar de haard met water in contact kan komen.
- 1.5  **WAARSCHUWING! NIET BEDEKKEN**  
WAARSCHUWING Sta niet toe dat de haard afgedekt wordt of de luchtinlaat/afvoer verstopt kan raken omdat het apparaat dan kan oververhitten. Let op het waarschuwingssymbool op het apparaat (zie hierboven).
- 1.6 **Alleen voor gebruik binnenshuis.** Dit apparaat is niet geschikt voor gebruik buitenshuis.

- 1.7 Houd het elektriciteits snoer uit de buurt van hete oppervlakten en voorwerpen. Laat hetelektriciteits snoer niet langs de voorkant van het apparaat lopen.
- 1.8 Dit apparaat moet goed bevestigd zijn op of ingebouwd zijn in een platte, interne wand. Zorg ervoor dat meubels, gordijnen, etc. niet dichter dan 1m bij het apparaat in de buurt zijn.
- 1.9 Wanneer de haard geïnstalleerd is moet de stekker toegankelijk zijn.
- 1.10 Wanneer de elektriciteitskabel door een haardstede, stenen omhulsel, enz. geleid moet worden, zorg er dan voor dat er geschikte rubberen bescherming aangebracht wordt op de punten waar slijtage kan optreden.
- 1.11 Indien de elektriciteitskabel beschadigd is, gebruik het apparaat dan niet totdat het vervangen is. Om veiligheidsredenen moet Gazco, een Gazco servicebedrijf of een elektricien met een gelijksoortige ervaring de haard vervangen.
- 1.12 **WAARSCHUWING:** Om een gevaar veroorzaakt door het onachtzaam resetten van de thermische beveiliging te voorkomen, mag dit toestel niet worden gevoed door een extern schakelapparaat, zoals een timer, en niet worden aangesloten op een circuit dat geregeld wordt aan- en uitgeschakeld door de utiliteit.
- 1.13 Het apparaat niet gebruiken als het beschadigd is.
- 1.14 Reparatie van elektrische apparatuur mag alleen door een elektricien uitgevoerd worden. Mocht het apparaat niet functioneren, of in geval van schade, kunt u contact opnemen met de winkel waar het apparaat gekocht is.
- 1.15 Dit toestel kan worden gebruikt door kinderen van 8 jaar en ouder en door personen met verminderd lichamelijk, zintuiglijk of mentaal vermogen of met gebrek aan ervaring en kennis indien onder toezicht of met instructies betreffende het veilig gebruiken van het toestel en met kennis van mogelijke gevaren. Buiten bereik van kinderen onder de 3 jaar houden tenzij onder constant toezicht.
- Kinderen tussen de 3 en 8 jaar mogen alleen het toestel aan-/uitschakelen ervan uitgaande dat deze is geplaatst of geïnstalleerd in zijn bedoelde normale werkpositie en onder toezicht of met instructies betreffende het veilig gebruiken van het toestel en met kennis van mogelijke gevaren. Kinderen tussen de 3 en 8 jaar mogen het toestel niet aansluiten, reguleren en schoonmaken of onderhoud uitvoeren.

### Echter adviseert Gazco:

**Dit apparaat is niet geschikt voor gebruik door personen jonger dan 12 jaar, personen met beperkte lichamelijke, sensorische of geestelijke vermogens of personen met gebrek aan ervaring en kennis over de veilige bediening van het apparaat.**

Het apparaat kan worden bediend door personen vanaf 12 jaar onder voorwaarde dat zij zijn geïnstrueerd in het veilige gebruik van het apparaat en hebben begrepen wat de mogelijke gevaren zijn. Personen vanaf 12 jaar mogen het apparaat bedienen onder toezicht van een verantwoordelijke volwassene.

Delen van dit apparaat worden heet tijdens de werking en personen jonger dan 12 jaar mogen nooit alleen worden gelaten met het apparaat wanneer dit aan staat tenzij een geschikt brandscherm wordt gebruikt om hen te beschermen tegen mogelijk rechtstreeks contact met het apparaat.

Kinderen mogen niet spelen met het toestel.

Schoonmaken en gebruiksonderhoud mag niet worden uitgevoerd door kinderen zonder toezicht.



## 2. Bedieningsinstructies



**WAARSCHUWING!** Het apparaat niet gebruiken als het beschadigd of defect is. Als u vermoedt dat het apparaat beschadigd of defect is neem dan contact op met een bevoegde electricien om het apparaat te laten inspecteren en, indien nodig, om delen van het elektrische systeem te laten vervangen voordat het opnieuw gebruikt wordt.

Koppel de stroom bij de netvoeding niet los terwijl het toestel draait. Gebruik de functies op de afstandsbediening om het vuur uit te schakelen en controleer of de hoofdschakelaar op de uit-positie staat vóór het loskoppelen.

### ALGEMEEN

- 2.1 Het toestel kan worden bediend door de radiofrequentietelefoon of de handmatige bedieningen die zich aan de rechterkant van het kijkvenster bevinden.



**OPMERKING:** Om zowel afstandsbediening als handmatige functies te gebruiken, moet de handmatige AAN/UIT-schakelaar in de AAN-positie staan. Om te voorkomen dat het product te heet wordt, is er 10s vertraging wanneer de verhitter wordt ingeschakeld en 10s vertraging wanneer de luchtverhitter wordt uitgeschakeld.

De handmatige basisfuncties met knopbediening, niet alle bedieningsmogelijkheden. Gebruik de bedieningstelefoon om alle functies te kunnen uitvoeren.

### VOORBEREIDING VOOR HET GEBRUIK

#### Batterijen:

- 2.2 Zorg ervoor dat de batterijen nieuw zijn en op de juiste manier geplaatst zijn.
- 2.3 Wanneer u de batterijen vervangt, dient u ervoor te zorgen dat de gebruikte batterijen op de juiste manier tot afval worden verwerkt.

### LOCATIE VAN DE BEDIENING

- 2.4 De hoofdschakelaar bevindt zich op het bedieningspaneel onder de overkapping rechtsboven op het apparaat, zie afbeelding.

#### Wandgemonteerde apparaten

Toegang vanaf de rechterkant van de decoratieve voorzijde.

#### Semi-ingebouwde installatie

Verwijder de decoratieve voorzijde. De schakelaar kan nu worden gebruikt via de uitsnijding in de verdiepte beugel.

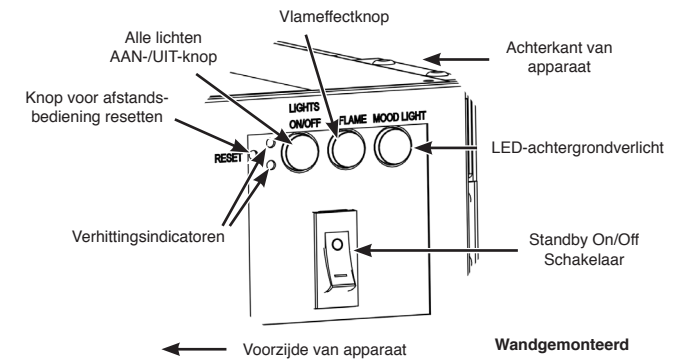
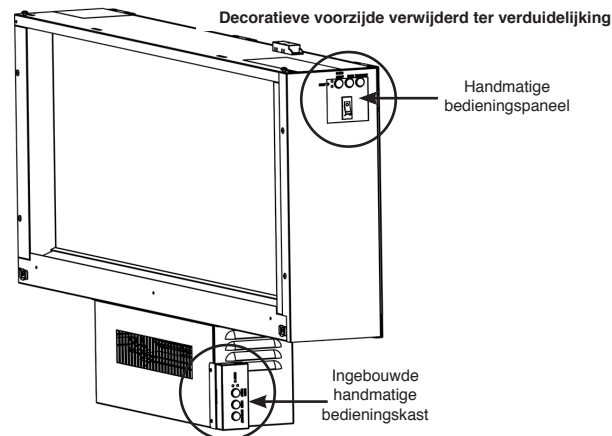
Het apparaat moet ontkoppeld zijn van de stroomtoevoer.

- 2.5 Zet op ON (—) voordat de afstandsbediening of handmatige bediening gebruikt wordt.
- 2.6 Men hoort een lange piep dat aangeeft dat het vuur klaar voor gebruik is.

## 2a. Handmatig bedieningspaneel

### Wandgemonteerde apparaten

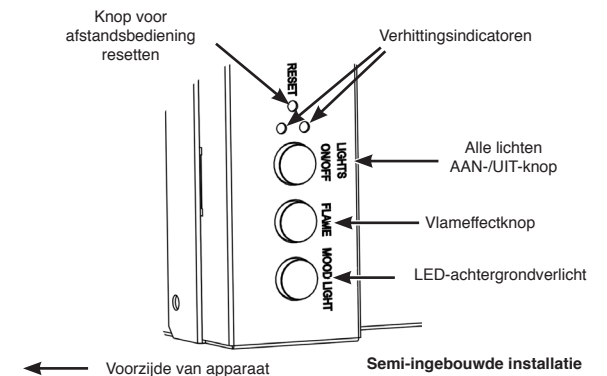
- 2a.1 De knoppen zitten aan de rechterkant van de buitenste behuizing, achter de decoratieve voorzijde, zie Afbeldingen.



### Semi-ingebouwde apparaten

- 2a.2 Toegang tot de knoppen aan de zijkant van het apparaat is beperkt als het apparaat is geïnstalleerd in een semi-ingebouwde installatie.

Dit apparaat beschikt over een extra regelkast, aangebracht aan de rechterkant van de verwarmingseenheid, zie afbeeldingen.



- 2a.3 Het toestel aanzetten met de hoofdschakelaar in de '—'-positie. Men hoort een lange piep.
- 2a.4 Druk op "LICHTEN AAN/UIT" om de vlam en het vuurbed tegelijkertijd in of uit te schakelen.

# Gebruikershandleiding

2a.5 Er zijn 3 vlam-kleuropties:

Druk op de "VLAM"-knop om de kleur van de vlam te selecteren (3 types vlamkleur met vlam) of terug te keren naar de UIT-positie.

2a.6 Druk op de "LED-achtergrondverlicht"-knop om de kleur van het LED-achtergrondverlicht te selecteren (14 types) of terug te keren naar de UIT-positie.

**Opmerking: Het toestel zal het geheugen voor lichtfuncties verliezen wanneer de schakelaar op de UIT-positie staat of de afstandsbediening leeg is.**

## Verwarmingsindicatoren

2a.7 Wanneer de luchtverhitter wordt gebruikt in combinatie met de vlam of met vuurbedeecten zullen de verwarmingsindicatoren voor 10 seconden oplichten.

De LED's zullen voor 10 seconden oplichten als de vlam of het vuurbedeect AAN is.

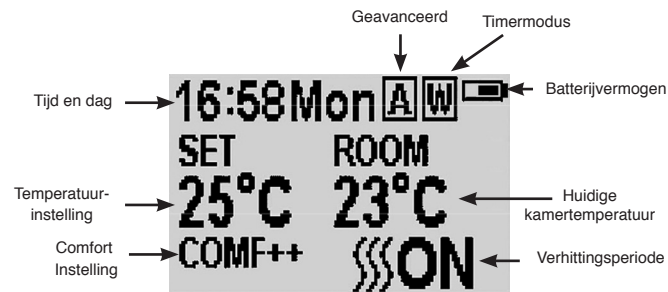
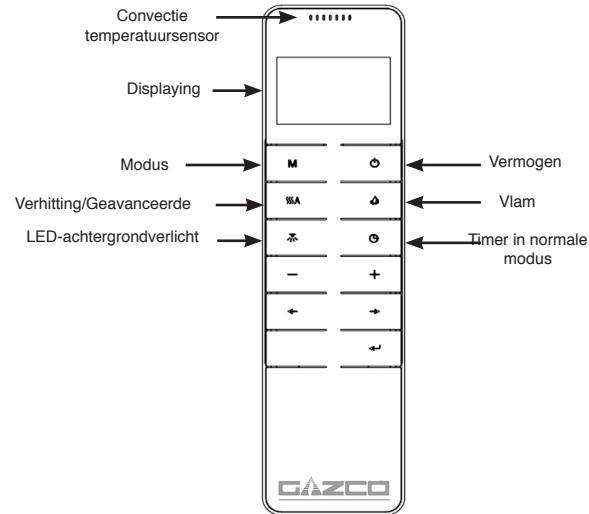
Als de luchtverhitter onafhankelijk wordt gebruikt, zullen de verwarmingsindicatoren aan blijven.

## Knop voor afstandsbediening resetten

2a.8 **Als de telefoon signaal verliest of moet worden vervangen, zie de Onderhoudssectie voor meer informatie.**

## 2b. Afstandsbedieningen

**De afstandsbediening moet worden bewaard op een vlak oppervlak in de kamer waar het toestel is geïnstalleerd en weg van enige directe hete luchtstroom.**



## Signaalcode

2b.1 De afstandsbediening werkt op radiosignaal. De handzender is in de fabriek ingesteld met een unieke signaalcode.

**BELANGRIJK: Als de telefoon signaal verliest of moet worden vervangen, zie Sectie 19 in de Onderhoudssectie voor meer informatie.**

## Schakel in/uit.

2b.2 Druk op de knop om het vlameffect in te schakelen.

2b.3 Druk op de knop om alle functies uit te schakelen onder de normale verwarmingsbestuurmodus, inclusief vlameffect en luchtverhitter.

2b.4 Druk op de knop om het vlameffect onder de dagelijkse of wekelijkse timingverhittermodus uit te schakelen.

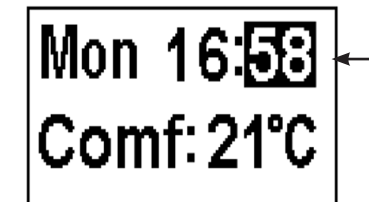
## Week Dagen / Tijd / Comforttemperatuur en Eenheidsinstelling

Bij activatie wordt aangeraden om de klok te resetten naar de juiste tijd om juistheid van werking van het apparaat te garanderen.

2b.5 Houd de **M** knop voor 3 seconden ingedrukt om naar het instellingscherm te gaan.

2b.6 Druk op de '←' of de '→' -knop om de te wijzigen instelling te kiezen.

Het geselecteerde kenmerk wordt gemarkeerd, zie Afbeelding.



2b.7 Druk op de '+' of '-' knop om de waarde aan te passen.

Tijd: 24-uurssysteem.

Selecteer comforttemperatuur tussen 15-25°C.

Temperatuureenheid: °C/°F.

2b.8 Druk op de ↵-knop voor 3 seconden of wacht 10 seconden om op te slaan en de week-, tijd- en verhogingstemperatuurinstelling te verlaten.

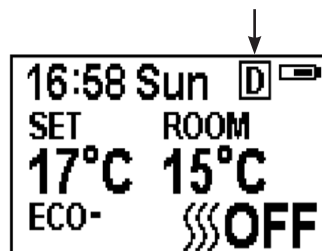
## Dagelijkse verhogingstimer

2b.9 De volgende verhittingsperiodes zijn ingesteld; deze kunnen indien gewenst worden aangepast:

06:00 tot 08:00

17:00 tot 22:00

2b.10 Houd **M** ingedrukt tot **D** er rechtsbovenaan op het scherm toegang tot de dagelijkse verhogingstimermodus verschijnt.

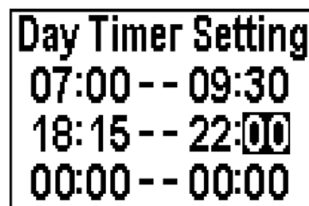


2b.11 Houd de ↵-knop voor 6 seconden ingedrukt voor toegang tot de dagelijkse verhogingsinstelling. Een maximum van 3 verhittingsperiodes per dag kan worden ingesteld.

2b.12 Druk op '←' of '→' om uur of minuut te kiezen.

2b.13 Druk op '+' of '-' om de waarde in te stellen.

De minuuttoename/-afname per 15 min per keer drukken.



2b.14 Houd de ↵-knop voor 3 seconden ingedrukt of wacht 10 seconden om op te slaan en de verhogingstijdperiodeinstelling te verlaten.

2b.15 Controleer de timerinstelling. Druk op ↵ om de dagelijkse timermodus te controleren.

2b.16 Als de verhoging moet worden uitgeschakeld, is het noodzakelijk om terug te gaan naar de normale bestuursmodus.

**Als het toestel in de dagelijkse timermodus wordt uitgeschakeld met de afstandsbediening, zal de lichtuitvoer worden gestopt. De hitteuitvoer zal doorgaan afhankelijk van de timerinstellingen.**

## De ingestelde temperatuur aanpassen

2b.17 Druk op de '+'- of '-'-knop om de temperatuur op basis van de COMF-temperatuur te laten toe- of afnemen.

COMF geeft aan dat de huidige temperatuur gelijk is aan de ingestelde.

ECO geeft aan dat de huidige temperatuur 2°C lager is dan de ingestelde temperatuur.

ECO- betekent 4°C lager.

COMF+ betekent 2°C hoger.

COMF++ betekent 4°C hoger.

## Aanpasbare startbesturing

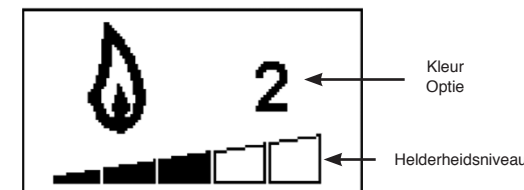
Overeenkomstig met de kamertemperatuur en de gewenste temperatuur, bepaalt de verhitte automatisch de geschikte opwarmtijd om te garanderen dat het de gewenste temperatuur bereikt binnen de ingestelde tijd (tot 45 minuten voor de ingestelde tijd).

## Aanpassen vlamkleur

2b.18 Druk op de 🔥-knop voor toegang tot het vlamkleuraanpassingsscherm.

Er zijn 3 vlamkleuropties, aangegeven door de getoonde waarde in Afbeelding.

Er zijn 6 helderheidsniveaus, inclusief 'uit'. Dit wordt aangegeven door de balk met de witte balk die 'uit' aangeeft, zie Afbeelding.



2b.19 Druk op de '←' of de '→'-knop om door de vlamkleuropties te gaan.


2b.20 Druk op de '+'-knop om de vlamhelderheid te verhogen.

Druk op de '-'-knop om de vlamhelderheid te verlagen tot deze uit is.

# Gebruikershandleiding

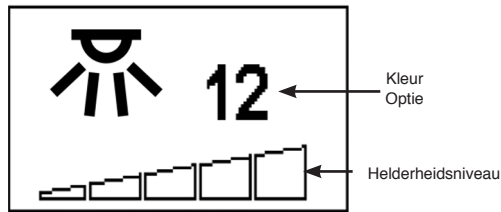
## Aanpassen LED-achtergrondverlichtkleur

Als de decoratieve voorzijde een LED-functie heeft:

2b.21 Druk op  voor toegang tot het scherm voor aanpassen LED-achtergrondverlicht.

Er zijn 14 kleuropties, aangegeven door de getoonde waarde in Afbeelding.

Er zijn 6 helderheidsniveaus, inclusief 'uit'. Dit wordt aangegeven door de balk met de witte balk die 'uit' aangeeft, zie Afbeelding.



2b.22 Druk op de '←' of de '→' -knop om door de LED-achtergrondverlichtkleuropties te gaan.

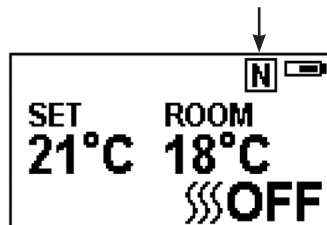
2b.23 Druk op de '+'-knop om de LED-achtergrondverlicht helderheid te verhogen.

Druk op de '-'-knop om de LED-achtergrondverlicht helderheid te verlagen tot deze uit is.

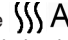
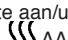
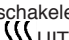
## Normale besturingsmodus

2b.24 De normale besturingsmodus is de standaardinstelling.

Houd als alternatief de **M** knop ingedrukt tot het **N** logo rechts bovenaan het scherm verschijnt, zie Afbeelding.



2b.25 Druk op de '+' of '-'-knop om de temperatuurstelling van 17 °C tot 25°C aan te passen.

2b.26 Druk op de  knop om de warmte aan/uit te schakelen; in de rechter onderhoek van het scherm zal  AAN of  UIT worden getoond, zie Afbeelding.




Opmerking: Het is gebruikelijk dat de luchtverhitter stopt met draaien gedurende tijdsperiodes. Dit gebeurt als de kamertemperatuur hoger is dan de ingestelde temperatuur op de bediening.

De verhittingsindicator wordt uitgeschakeld na 10s als de vlam AAN staat. De verhittingsindicator blijft AAN als enkel de verhittingsfunctie wordt gebruikt.

**Als in de normale bedieningsmodus het toestel met de afstandsbediening wordt uitgeschakeld, zullen zowel de licht- als warmteproductie stoppen.**

## Aftellingstimer


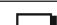
Deze instelling bestaat alleen in de normale bedieningsmodus bij verhitting. Dit maakt het mogelijk om het toestel in stand-by te zetten na een ingestelde tijdsperiode. De verhitter moet ingeschakeld zijn om deze functie te kunnen gebruiken.

2b.27 Druk op  om door de instelling te gaan van UIT en 0.5 uur tot 9 uur. Timerlogo en resterende tijd worden op het scherm getoond.

De verhitting van het toestel kan automatisch werken door de dagelijkse timer en de wekelijkse timer op de afstandsbediening te gebruiken.

## Batterij

Het batterijniveau wordt aangegeven rechtsbovenin op het afstandbedieningsscherm, zie Afbeelding.

	Volle batterij	Geen handeling vereist
	Halfvolle batterij	Controleer of nieuwe batterijen aanwezig zijn.
	Lege batterij	Vervang batterijen onmiddellijk

Vervanging van batterij na 1 jaar wordt aangeraden. De afstandsbediening heeft twee 1.5V alkaline AAA-batterijen nodig.


**Het vervangen van de batterijen beïnvloedt de timermodusinstellingen niet, maar misschien zal de klok moeten worden gelijk gezet.**

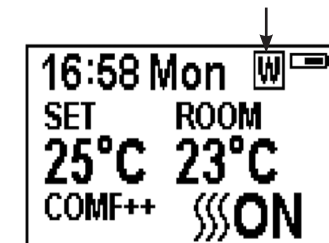
## Verhitting wekelijkse timer


2b.28 De volgende verhittingsperiodes zijn ingesteld; deze kunnen worden gewijzigd indien gewenst:

Van maandag tot vrijdag  
06:00 tot 08:30  
17:00 tot 22:00

Van zaterdag tot zondag  
06:30 tot 09:30  
11:00 tot 13:00  
17:00 tot 22:00

2b.29 Druk op **M** tot  wordt getoond rechtsbovenin in het scherm voor toegang tot de wekelijkse verhittingsmodus.

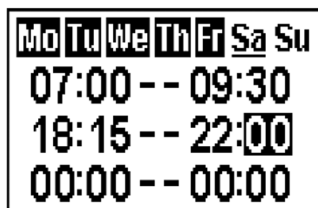


2b.30 Houd de  -knop voor 6 seconden ingedrukt voor toegang tot de instelling voor wekelijkse timer voor verhittingsmodus.

# Gebruikershandleiding

2b.31 Druk op '←' of '→' om de cursor (een knipperende onderstreep) te bewegen.

2b.32 Druk op de ←-knop in de corresponderende weekpositie om de huidige instelling te selecteren (het kenmerk wordt gemarkeerd) of te annuleren (het kenmerk wordt normaal weergegeven); dezelfde tijdsperiode kan tegelijk worden geselecteerd.



2b.33 Druk op de '→'-knop om de cursor naar het instellingsgebied van de tijdsperiode te bewegen.

2b.34 Druk op de '←' of de '→'-knop om uur of minuut te bepalen.

2b.35 Druk op '+' of '-' om de waarde te bepalen.

Een maximum van 3 verwarmingsperiodes per dag kan worden ingesteld.

Verhoging/verlaging van minuut per 15min per druk op de knop.

2b.36 Druk op ← om de verwarmingstijd voor de geselecteerde dag in te stellen en terug te keren naar de weeklijn.

2b.37 Houd de ←-knop voor 3 seconden ingedrukt of wacht 10 seconden om op te slaan en de verwarmingstijdperiodeinstelling te verlaten.

2b.38 Druk op ← '←' of op '→' om de timerinstelling voor de verwarmingsmodus van de weektimer te controleren.

2b.39 Als de verwarming moet worden uitgeschakeld, is het noodzakelijk om terug te gaan naar de normale bestuursmodus.

**Als in de wekelijkse timermodus het toestel door de afstandsbediening wordt uitgeschakeld, zal de lichtuitvoer stoppen. De hitteuitvoer zal doorgaan afhankelijk van de timerinstellingen.**

## De ingestelde temperatuur aanpassen

2b.40 Druk op de '+'- of '-'-knop om de temperatuur op basis van de COMF-temperatuur te laten toe- of afnemen.

COMF geeft aan dat de huidige temperatuur gelijk is aan de ingestelde.

ECO geeft aan dat de huidige temperatuur 2°C lager is dan de ingestelde temperatuur.

ECO- betekent 4°C lager.

COMF+ betekent 2°C hoger.

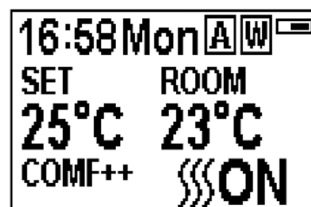
COMF++ betekent 4°C hoger.

## Aanpasbare startbesturing

Overeenkomstig met de kamertemperatuur en de gewenste temperatuur, bepaalt de verwipper automatisch de geschikte opwarmtijd om te garanderen dat het de gewenste temperatuur bereikt binnen de ingestelde tijd (tot 45 minuten voor de ingestelde tijd).

## Geavanceerde modus

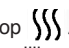

2b.41 De verwarmingstoestand kan worden verlengd tot de volgende periode bij zowel de dagelijkse als wekelijkse timerverwarmingsmodus.

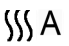


Als de verwipper aan is tijdens de huidige periode, zal op de knop drukken de verwipper uitschakelen.

Als de verwipper uit is tijdens de huidige periode, zal op de knop drukken de verwipper inschakelen.

Of de huidige verwarming aan/uit is hangt ook af van de kamertemperatuur en de ingestelde temperatuur.

2b.42 Druk op  A voor toegang tot de geavanceerde modus onder de dagelijkse en wekelijkse timerverwarmingsmodus,  die zal worden getoond rechtsboven in het scherm.

2b.43 Druk  A nogmaals of de timerperiode zal de geavanceerde modus beëindigen.

## Detecteren van open raam

2b.44 Als de zender een sterke daling in kamertemperatuur waarneemt, zal dit worden opgevat als een open raam: het waarschuwingsicoon zal worden weergegeven en de verwipper zal automatisch worden uitgeschakeld.



2b.45 Na stijging van de binnentemperatuur of door handmatige ingreep (door de afstandsbediening te bedienen), zal het toestel terugkeren naar normaal functioneren.

# Gebruikershandleiding

## 3. Verwijderen decoratieve voorzijde



**BELANGRIJK: WEES VOORZICHTIG BIJ DE OMGANG. DEZE DECORATIEVE VOORZIJDE IS ZWAAR. VOORZICHTIG OPTILLEN. VOOR DE OMGANG ZIJN ER 2 MENSEN NODIG.**



**VOOR HET VERWIJDEREN VAN EEN DECORATIEVE VOORZIJDE MET LED-EFFECT, ONTKOPPEL HET APPARAAT VAN DE STROOMTOEVOER.**

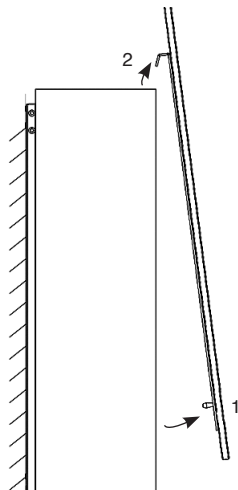
3.1 Als de decoratieve voorzijde een LED-functie heeft:

Trek de LED-verlichtingsstekker van achter het glas weg en ontkoppel de kabels.

3.2 Draai de 2 schroeven in de lippen aan de bovenkant van het apparaat los.

3.3 Trek voorzichtig de onderste rand van de decoratieve voorzijde naar voren om de onderste pennen van de onderste sleuven los te ontgrendelen, zie Afbeelding (1).

3.4 Til de decoratieve voorzijde vrij van de sleuven in de bovenkant van het apparaat, zie Afbeelding (2).



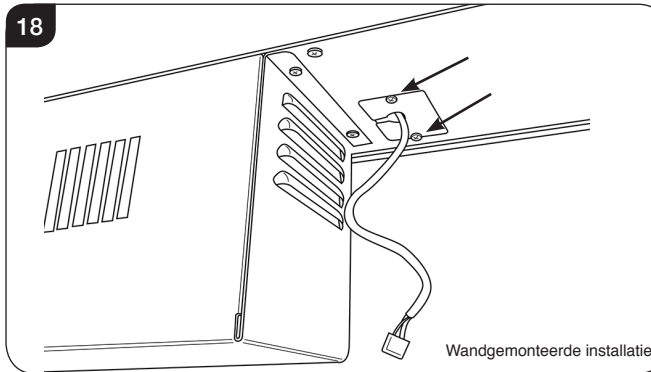
3.5 Refit in omgekeerde volgorde.

## LED-achtergrondverlichting

Als de achtergrondverlichtingskabel niet vereist is, kan deze achter het toegangspaneel aan de onderkant van het apparaat worden opgeborgen.

Als de decoratieve voorzijde is verwijderd:

3.6 Verwijder de 2 schroeven die het toegangspaneel aan de onderzijde van de vuurkast bevestigen, zie Afbeelding.

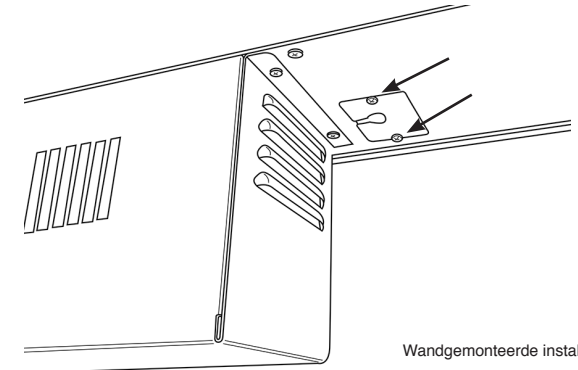


3.7 Plaats de kabel in het apparaat.



**ZORG ERVOOR DAT ER GEEN KABELS VAST KOMEN TE ZITTEN VOOR HET TERUGPLAATSEN VAN HET TOEGANGSPANEEL.**

3.8 Plaats het toegangspaneel terug en bevestig deze met 2 schroeven, zie Afbeelding.



## 4. Reiniging

**4.1 DE STEKKER ALTIJD UIT HET STOPCONTACT HALEN VOORDAT ER REINIGINGSWERZAAMHEDEN OF ONDERHOUDSWERKZAAMHEDEN UITGEVOERD WORDEN.**

### ALGEMEEN REINIGING

4.2 De buitenkant alleen schoonmaken wanneer deze koud is. Geen schurende reinigingsmiddelen gebruiken.

### REINIGING VOORZIJDEN

4.3 Verwijder de decoratieve voorzijde, zie sectie 3.

Veeg de voorzijde schoon met een vochtige doek en verwijder stof met een lintvrije duster.

**Waarschuwing: Geen schurende reinigingsmiddelen op het glaspaneel gebruiken. Spuit geen vloeistoffen rechtstreeks op het oppervlak van de unit spuiten.**

### HET SCHOONMAKEN VAN DE BRANDSTOF EFFECT

4.4 Zorg ervoor dat de stekker niet meer in het stopcontact steekt.

4.5 Verwijder de decoratieve voorzijde, zie sectie 3.

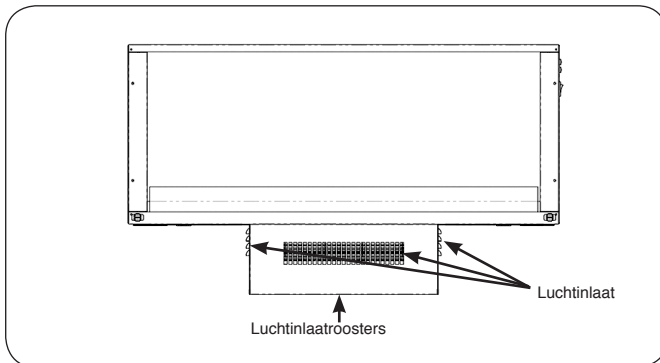
- 4.6 Verwijder en was het brandstofeffect om stofdeeltjes te verwijderen. Kan ook met een lintvrije duster worden gereinigd.  
**Zorg ervoor dat het effect droog is, voordat deze wordt teruggeplaatst.**

Let op: Zorg er bij het terugplaatsen van het brandstofeffect voor dat dit gelijk verspreid wordt over het brandstofbed.

Alleen steeneffect: Verdeel het transparante effect willekeurig over het brandstofbed.

## LUCHTINLATEN REINIGEN

- 4.7 Zorg ervoor dat de stekker niet meer in het stopcontact steekt.
- 4.8 Maak de luchtinlaat en de luchtinlaatroosters regelmatig met een zachte doek of het mondstuk van een stofzuiger schoon.



**Opgehoopt stof zal het vrijelijk bewegen van de ventilator beperken en kan ertoe leiden dat het beveiligingsmechanisme in werking treedt.**

- 4.9 Houd het gebied rond de haard schoon en vrij van pluisjes, stof of haren van huisdieren.
- 4.10 Stof enz. kan zich vooral verzamelen rond het verwarmingsgebied bovenaan het apparaat. Zorg er regelmatig voor dat dit gebied geen van deze stofdeeltjes bevat, zodat een opeenhoping voorkomen wordt.

## BATTERIJEN VERVANGEN

- 4.11 Als de batterijen van afstandsbediening bijna leeg zijn moeten deze onmiddellijk worden vervangen. Installeer de juiste nieuwe batterijen en gooi de oude batterijen in de juiste recyclingbak.

# Istruzioni Per L'utente

## IMPORTANTE

**LA GRIGLIA DI USCITA DEL RISCALDATORE DIVENTA BOLLENTE DURANTE L'USO.  
NON COPRIRE LA GRIGLIA DI USCITA NÉ ALCUNA PARTE DELL'APPARECCHIO.**

Da usare solo con alimentazione elettrica da 230 V, 50Hz.

Leggere attentamente queste istruzioni prima dell'installazione e conservarle in un luogo sicuro.


poiché saranno necessarie al momento di eseguire riparazioni o manutenzione.

QUESTO APPARECCHIO DEVE ESSERE PROVVISORIO DI  
MESSA A TERRA

## 1. Informazioni Importanti E Salute E Sicurezza

### MANEGGIARE CON CURA:

**LA SUPERFICIE DI VERNICE CORNICI DECORATIVE PUÒ CONTRASSEGNARE DURANTE LA MANIPOLAZIONE.  
INDOSSARE SEMPRE I GUANTI FORNITE DURANTE L'INSTALLAZIONE.**

- 1.1 Leggere attentamente tutte le istruzioni prima di utilizzare l'apparecchio.
- 1.2 Rimuovere tutti gli imballaggi e smaltirli presso un'appropriata struttura di riciclaggio.
- 1.3 Non posizionare l'apparecchio subito sotto una presa di corrente fissa.
- 1.4 Non utilizzare questo apparecchio nelle immediate vicinanze di una vasca da bagno, di una doccia, di una piscina o in altre aree in cui potrebbe venire a contatto con acqua o umidità, ad esempio la stanza da bagno.
- 1.5  **ATTENZIONE! NON COPRIRE**  
Non coprire l'apparecchio né ostruire la presa o l'uscita dell'aria, per evitare il surriscaldamento dell'apparecchio. Osservare il simbolo di avviso sull'apparecchio (vedere sopra).
- 1.6 **Solo per uso interno.** Questo apparecchio non è adatto all'uso in aree esterne alla casa.

- 1.7 Tenere il cavo di alimentazione lontano da superfici calde e condizioni di calore. Non posizionare il cavo di fronte all'apparecchio.
- 1.8 Questo apparecchio deve essere fissato in maniera stabile o inserito in una nicchia di una parete interna piatta. Assicurarsi che i mobili, le tende e così via si trovino a più di 1 metro dall'apparecchio.
- 1.9 Una volta installato il caminetto, deve essere possibile accedere alla spina.
- 1.10 Se il cavo dell'alimentazione elettrica deve passare attraverso un camino, un rivestimento in pietra e così via, assicurarsi che vengano installate delle protezioni di gomma nei possibili punti di usura.
- 1.11 Se il cavo di alimentazione è danneggiato, non utilizzare l'apparecchio finché non viene sostituito. Per motivi di sicurezza, la sostituzione deve essere effettuata da un responsabile dell'assistenza Gazco o da un elettricista con una qualifica simile.
- 1.12 **ATTENZIONE:** Per evitare un pericolo dovuto al ripristino involontario dell'interruttore termico, questo apparecchio non deve essere alimentato tramite un dispositivo di commutazione esterno, ad esempio un timer, o collegato a un circuito di comando accensione e spegnimento.
- 1.13 Non utilizzare l'apparecchio se danneggiato.
- 1.14 La riparazione delle apparecchiature elettroniche deve essere eseguita solo da un elettricista. In caso di mancato funzionamento dell'apparecchio o in caso di danni, contattare il rivenditore presso il quale è stato acquistato.
- 1.15 Questo apparecchio può essere utilizzato da bambini di età superiore a 8 anni e persone con ridotte capacità fisiche, sensoriali o mentali o mancanza di esperienza e conoscenza, solo se supervisionati o istruiti sull'uso dell'apparecchio in modo sicuro e se comprendono i rischi che corrono. I bambini di età inferiore ai 3 anni devono essere tenuti lontano a meno che non siano costantemente supervisionati.

I bambini di età compresa tra 3 anni e meno di 8 anni possono accendere/spegnere l'apparecchio solo se questo è stato collocato o installato nella normale posizione operativa prevista e se sono sorvegliati o istruiti sull'uso dell'apparecchio in modo sicuro e se comprendono i rischi che corrono. I bambini di età compresa tra 3 anni e meno di 8 anni non possono collegare, regolare, pulire l'apparecchio né eseguire interventi di manutenzione.

### Tuttavia Gazco consiglia:

**Questo elettrodomestico non è progettato per essere utilizzato da minori di 12 anni, da persone con capacità fisiche, sensoriali o mentali ridotte o da persone che non hanno l'esperienza o le conoscenze necessarie per mettere in funzione l'elettrodomestico in maniera sicura.**

Questo elettrodomestico può essere utilizzato da maggiori di 12 anni purché siano stati istruiti in merito all'utilizzo sicuro dell'elettrodomestico e comprendano i possibili rischi. I minori di 12 anni possono utilizzare questo elettrodomestico purché siano supervisionati da un adulto responsabile.

Alcune componenti di questo elettrodomestico diventano calde in seguito all'utilizzo e in nessun caso i minori di 12 anni devono essere lasciati da soli con il prodotto quando questo è in funzione, a meno che non venga utilizzato un parafuoco idoneo allo scopo di proteggerli dalla possibilità di entrare a diretto contatto con l'elettrodomestico.

I bambini non devono giocare con l'apparecchio.

La pulizia e la manutenzione dell'utente non devono essere eseguite da bambini senza supervisione.



# Istruzioni Per L'utente

## 2. Istruzioni Di Funzionamento



**ATTENZIONE!** Non utilizzare l'apparecchio se danneggiato o se non funziona correttamente. Se si sospetta che l'apparecchio sia danneggiato o che non abbia funzionato correttamente, contattare un tecnico dell'assistenza qualificato per far eseguire un'ispezione e sostituire le parti dell'impianto elettrico se necessario, prima di riutilizzarlo.

Non scollegare l'alimentazione alla rete elettrica mentre l'apparecchio è in funzione. Utilizzare le funzioni del telecomando per spegnere il fuoco e assicurarsi che l'interruttore di isolamento sia stato spostato in posizione di spegnimento prima di scollegarlo.

### GENERALE

2.1 L'apparecchio può essere azionato dal ricevitore a radiofrequenza o dai comandi manuali.



**NOTA:** Per utilizzare entrambe le funzioni remota e manuale, l'interruttore di accensione/spegnimento manuale deve essere in posizione "ON". Per evitare che il prodotto diventi troppo caldo, si verifica un ritardo di 10 secondi all'accensione del riscaldatore e un ritardo di 10 secondi quando si spegne la ventola del riscaldatore.

Il pulsante manuale controlla le funzioni di base, non una gamma completa di controlli. Utilizzare il telecomando per eseguire tutte le funzioni.

### PREPARAZIONE PRIMA DELL'USO

#### Pile:

- 2.2 Assicurarsi che le pile del telecomando siano nuove e correttamente inserite.
- 2.3 Smaltire le pile vecchie presso una struttura di riciclaggio appropriata.

### POSIZIONE DELL'INTERRUTTORE

2.4 L'interruttore di alimentazione si trova sul pannello di controllo sul lato destro dell'apparecchio, vedere la figura.

### Montato a parete

Accesso dal lato destro della parte anteriore decorativa.

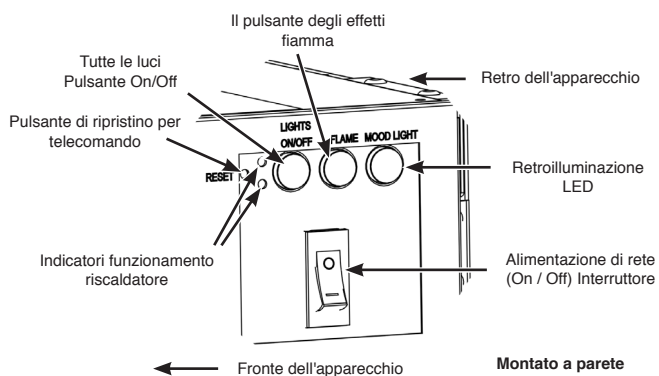
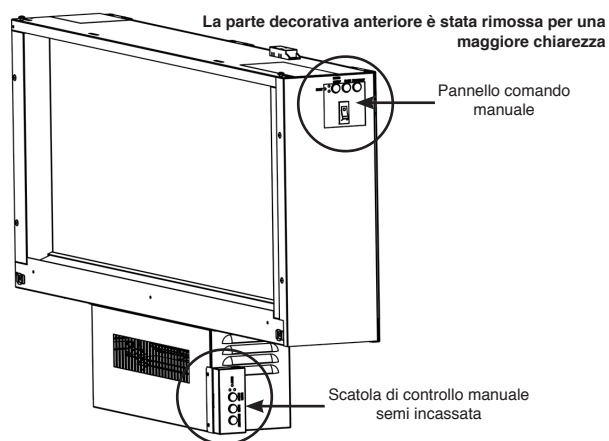
### Installazione semi-incassata

Togliere la parte anteriore decorativa. Adesso si può accedere all'interruttore attraverso il ritaglio nel supporto per l'incasso. **L'apparecchio deve essere isolato dall'alimentazione di rete.**

## 2a. Pannello comando manuale

### Apparecchi montati a parete

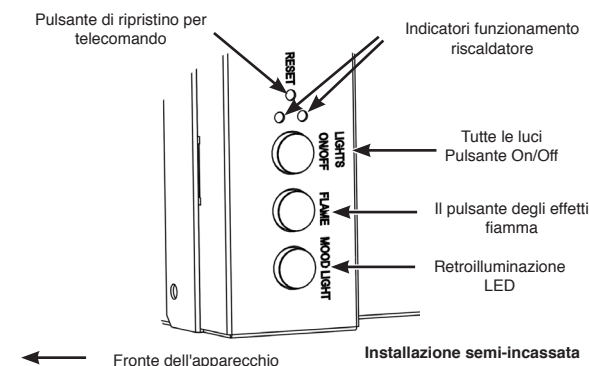
2a.1 I controlli manuali sono nel lato destro del rivestimento più esterno dietro la parte anteriore decorativa, vedere la figura.



### Apparecchi semi-incassati

2a.2 L'accesso ai controlli manuali sul lato destro dell'apparecchio è limitato quando l'apparecchio viene installato semi-incassato.

Questo apparecchio ha una scatola di controllo aggiuntiva sistemata sul lato destro dell'unità di riscaldamento, vedere la figura.



2a.3 Accendere l'apparecchio con l'interruttore di alimentazione principale in posizione "-". Si sentirà un lungo bip.

2a.4 Premere "LIGHTS ON/OFF" per accendere o spegnere contemporaneamente la fiamma e il crogiolo di combustione.

2a.5 Ci sono 3 opzioni di colore della fiamma:

Premere il pulsante "FLAME" per selezionare il colore della fiamma (3 tipi di colore per fiamma) o tornare alla posizione OFF.

2a.6 Premere il pulsante "LED BACKLIGHT" per selezionare il colore della retroilluminazione LED (14 colori) o tornare alla posizione OFF.

**Nota:** l'apparecchio perderà la memoria delle funzioni di illuminazione se l'interruttore viene spostato su Off o le batterie del telecomando si esauriscono.

# Istruzioni Per L'utente

## Indicatori di funzionamento del riscaldatore

2a.7 Quando il termoventilatore viene utilizzato in combinazione con gli effetti della fiamma o del crogiolo di combustione, gli indicatori di funzionamento del riscaldatore si accendono per 10 secondi.

I LED si accendono per 10 secondi quando l'effetto fiamma o il crogiolo di combustione vengono accesi.

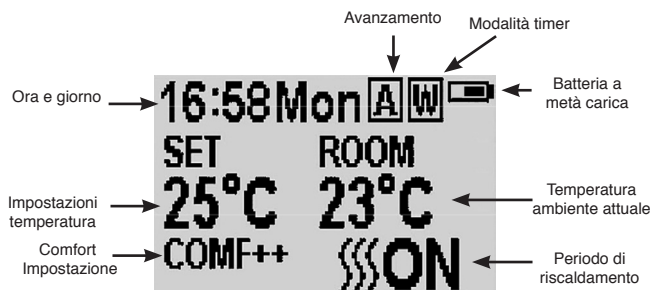
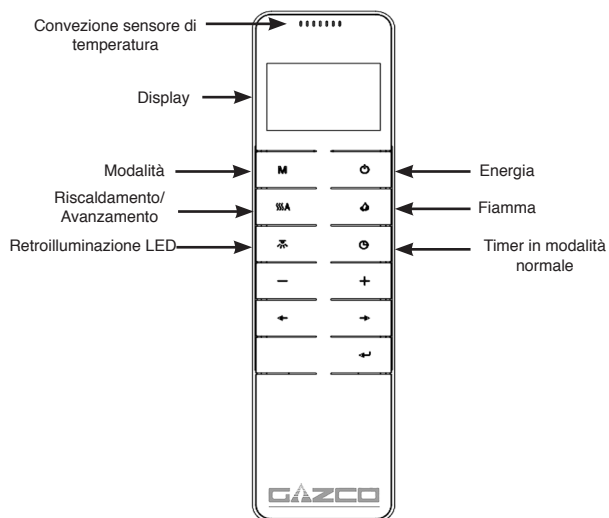
Se il termoventilatore viene utilizzato in modo indipendente, gli indicatori di funzionamento del riscaldatore rimangono accesi.

## Pulsante di ripristino per telecomando

2a.8 Se il telecomando perde il segnale o deve essere sostituito, per informazioni più dettagliate, consultare la sezione manutenzione.

## 2b. Comandi a distanza

Il telecomando deve essere lasciato su una superficie piana nella stanza in cui è installato l'apparecchio e lontano da qualsiasi flusso diretto di aria calda.



## Codice di segnale

2b.1 Il telecomando funziona tramite segnale radio. Il trasmettitore manuale è configurato in fabbrica con un codice di segnale unico.

**IMPORTANTE: Se il telecomando perde il segnale o deve essere sostituito, per informazioni più dettagliate, consultare la sezione manutenzione.**

## Accensione/spengimento

- 2b.2 Premere il pulsante per accendere l'effetto fiamma.
- 2b.3 Premere il pulsante per disattivare tutte le funzioni nella normale modalità di controllo del riscaldamento, inclusi l'effetto fiamma ed il riscaldatore della ventola.
- 2b.4 Premere il pulsante per disattivare l'effetto fiamma in modalità riscaldamento giornaliero e settimanale.

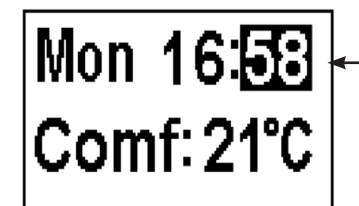
## Giorni della settimana/ora/temperatura comfort e impostazione unità

All'attivazione si consiglia di ripristinare l'orologio all'orario corretto per garantire la precisione di funzionamento dell'apparecchio.

2b.5 Tenere premuto il **M** pulsante per 3 secondi per accedere alla schermata impostazioni.

2b.6 Premere il pulsante '←' o '→' per scegliere l'impostazione da modificare.

Il carattere selezionato verrà evidenziato, vedere Figura.



2b.7 Premere il pulsante '+' o '-' per regolare il numero.

Schema orario: sistema 24 ore.

Selezionare una temperatura comfort da 15 a 25°C.  
Unità temperatura: °C/°F.

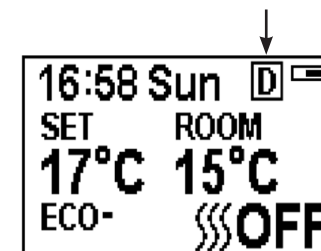
2b.8 Premere il pulsante per 3 secondi o attendere 10 secondi per salvare e uscire dalla settimana, dall'ora e dall'impostazione della temperatura.

## Timer giornaliero riscaldamento


2b.9 Sono stati preimpostati i seguenti periodi di riscaldamento, che possono essere modificati se lo si desidera:

dalle ore 06:00 alle 08:00  
dalle ore 17:00 alle 22:00

2b.10 Premere **M** fino a **D** visualizzare l'angolo in alto a destra dello schermo per accedere al timer giornaliero della modalità di riscaldamento.





## Istruzioni Per L'utente

- 2b.11 Tenere premuto il  pulsante per 6 secondi per accedere all'impostazione riscaldamento giornaliero. È possibile impostare un massimo di 3 periodi di riscaldamento programmati al giorno.
- 2b.12 Premere '←' o '→' per scegliere ore o minuti.
- 2b.13 Premere '+' o '-' per regolare il numero. Ad ogni pressione si ha un incremento/decremento di 15 minuti.

8

**Day Timer Setting**  
07:00 -- 09:30  
18:15 -- 22:00  
00:00 -- 00:00

- 2b.14 Premere il pulsante  per 3 secondi o attendere 10 secondi per salvare e uscire dall'impostazione del periodo di riscaldamento.
- 2b.15 Controllare l'impostazione del timer. Premere  per controllare la modalità giornaliera del timer.
- 2b.16 Se è necessario spegnere il riscaldamento, sarà necessario tornare alla modalità di controllo normale.

**Quando si spegne l'apparecchio mentre si trova in modalità timer giornaliero con il telecomando si interrompe l'emissione di luce. L'uscita di calore continuerà secondo le impostazioni del timer.**

### Regolazione della temperatura impostata

- 2b.17 Premere il pulsante '+' o '-' per aumentare o diminuire la temperatura sulla base della temperatura COMF.

COMF indica che la temperatura effettiva corrisponde a quella dell'impostazione.

ECO significa che la temperatura attuale è inferiore di 2°C rispetto alla temperatura impostata.

ECO- significa 4°C in meno.


COMF+ significa 2°C in più.

COMF++ significa 4°C in più.

### Controllo di avvio adattivo

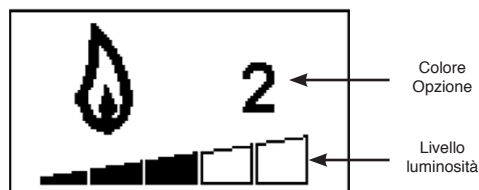
In base alla temperatura ambiente e alla temperatura impostata, il riscaldatore determina automaticamente il tempo di riscaldamento appropriato per garantire che raggiunga la temperatura impostata nel tempo impostato (fino a 45 minuti prima del tempo impostato).

### Regolazione del colore della fiamma

- 2b.18 Premere il  pulsante per accedere alla schermata di regolazione della fiamma.

Ci sono 3 opzioni di colore della fiamma, indicate dal numero mostrato nel Figura.

Ci sono 6 livelli di luminosità, incluso spento. Questo è indicato dalla barra, con la barra vuota che indica spegnimento, vedere Figura.




- 2b.19 Premere il pulsante '←' o '→' per scorrere ciclicamente le opzioni del colore della fiamma.

- 2b.20 Premere il pulsante '+' per aumentare la luminosità della fiamma.  
Premere il pulsante '-' per ridurre la luminosità della fiamma.

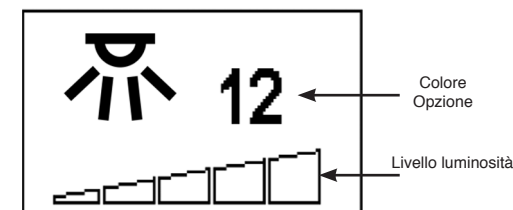
### Regolazione del colore della retroilluminazione LED

Se la parte anteriore decorativa ha una funzione LED:

- 2b.21 Premere il  pulsante per accedere alla schermata di regolazione della retroilluminazione.

Sono disponibili 14 colori indicati dal numero mostrato nel Figura.

Sono disponibili 6 livelli di luminosità, incluso quello corrispondente alla luce spenta. Ciò viene indicato dalla barra vuota che indica lo spegnimento. Vedere il Figura.



- 2b.22 Premere il pulsante '←' o '→' per eseguire un ciclo tra le opzioni di colore della retroilluminazione.

- 2b.23 Premere il pulsante '+' per aumentare la luminosità della retroilluminazione.

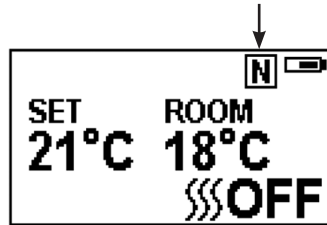
Premere il pulsante '-' per ridurre la luminosità della retroilluminazione.

# Istruzioni Per L'utente

## Modalità di controllo normale

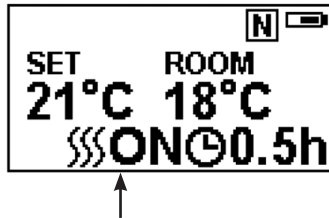
2b.24 L'impostazione di default è la modalità di controllo normale.

In alternativa premere il pulsante **M** fino a visualizzare il **N** logo nell'angolo in alto a destra dello schermo, vedere Figura.



2b.25 Premere il pulsante '+' o '-' per regolare la temperatura impostata da 17 °C a 25°C.

2b.26 Premere il pulsante **[[[A** per accendere/spengere il riscaldamento, nell'angolo in basso a destra comparirà **[[[ON** o **[[[OFF**, vedere il Figura.



Nota: È normale che il termoventilatore smetta di funzionare per dei periodi di tempo. Ciò accade se la temperatura della stanza è superiore alla temperatura impostata sul controllo.

L'indicatore del riscaldatore si spegne dopo 10 secondi se la fiamma è accesa. L'indicatore del riscaldatore rimarrà acceso se viene utilizzata solo la funzione di riscaldamento.

**Se si spegne l'apparecchio con il telecomando mentre si trova in modalità di controllo normale, si interrompe l'emissione di luce e di calore.**

## Conto alla rovescia

Questa impostazione è solo nella normale modalità di controllo del riscaldamento. Consente all'apparecchio di tornare in standby dopo un determinato periodo di tempo. Il riscaldatore deve essere acceso per utilizzare questa funzione.

2b.27 Premere **⌚** per scorrere in modo ciclico tra le impostazioni a partire da Off e da 0,5 ore a 9 ore. Il logo del timer e il tempo rimanente verranno visualizzati sullo schermo.

Il riscaldatore dell'apparecchio può essere avviato automaticamente utilizzando il timer giornaliero e il timer settimanale sul telecomando.

## Batteria

Il livello di carica della batteria è indicato in alto a destra nella schermata del telecomando, vedere Figura.

	Batteria carica	Nessuna azione richiesta
	Batteria a metà carica	Assicurarsi che siano disponibili nuove batterie.
	Batteria scarica	Sostituire immediatamente le batterie

Si consiglia di sostituire le batterie dopo 1 anno. Il telecomando richiede due batterie AAA alcaline da 1,5 V.

**La modifica delle batterie non influirà sulle impostazioni della modalità del timer, tuttavia potrebbe essere necessario regolare l'orologio.**

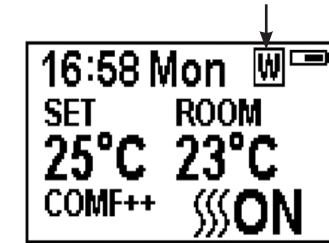
## Timer settimanale riscaldamento

2b.28 Sono stati preimpostati i seguenti periodi di riscaldamento, che possono essere modificati se lo si desidera:

Da lunedì a venerdì  
dalle ore 06:00 alle 08:30  
dalle ore 17:00 alle 22:00

Da sabato a domenica  
dalle ore 06:30 alle 09:30  
dalle ore 11:00 alle 13:00  
dalle ore 17:00 alle 22:00

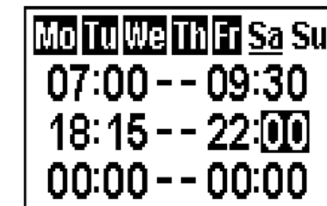
2b.29 Premere **M** fino a **W** visualizzare l'angolo in alto a destra dello schermo per accedere al timer settimanale della modalità di riscaldamento.



2b.30 Tenere premuto il **←** pulsante per 6 secondi per accedere all'impostazione timer settimanale riscaldamento.

2b.31 Premere '**←**' o '**→**' per spostare il cursore (una sottolineatura lampeggiante).

2b.32 Premere il pulsante **←** nella posizione della settimana corrispondente per selezionare (il carattere è evidenziato) o annullare (il carattere viene visualizzato normalmente) l'impostazione corrente, contemporaneamente può essere selezionato lo stesso periodo.



2b.33 Premere il pulsante '**→**' per spostare il cursore sull'area di impostazione del periodo di tempo.

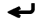
2b.34 Premere '**←**' o '**→**' per scegliere ore o minuti.

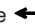
## Istruzioni Per L'utente

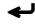
2b.35 Premere '+' o '-' per regolare il numero.

È possibile impostare un massimo di 3 periodi di riscaldamento programmati al giorno.

Ad ogni pressione si ha un incremento/decremento di 15 minuti.

2b.36 Premere  per impostare il periodo di riscaldamento per il giorno selezionato e tornare alla riga della settimana.

2b.37 Premere il pulsante  per 3 secondi o attendere 10 secondi per salvare e uscire dall'impostazione del periodo di riscaldamento.

2b.38 Premere  '←' o '→' per controllare l'impostazione del timer per la modalità di riscaldamento del timer settimanale.

2b.39 Se è necessario spegnere il riscaldamento, sarà necessario tornare alla modalità di controllo normale.

**Se si spegne l'apparecchio con il telecomando mentre si trova in modalità timer settimanale, si interrompe l'emissione di luce. L'uscita di calore continuerà secondo le impostazioni del timer.**

### Regolazione della temperatura impostata

2b.40 Premere il pulsante '+' o '-' per aumentare o diminuire la temperatura sulla base della temperatura COMF.

COMF indica che la temperatura effettiva corrisponde a quella dell'impostazione.

ECO significa che la temperatura attuale è inferiore di 2°C rispetto alla temperatura impostata.

ECO- significa 4°C in meno.

COMF+ significa 2°C in più.

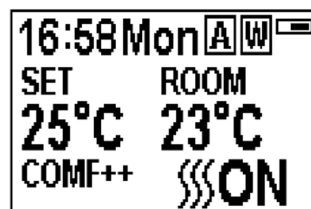
COMF++ significa 4°C in più.

### Controllo di avvio adattivo

In base alla temperatura ambiente e alla temperatura impostata, il riscaldatore determina automaticamente il tempo di riscaldamento appropriato per garantire che raggiunga la temperatura impostata nel tempo impostato (fino a 45 minuti prima del tempo impostato).

### Modalità avanzata

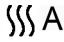

2b.41 Lo stato di riscaldamento può essere anticipato fino al periodo successivo sia in modalità riscaldamento giornaliero che settimanale.

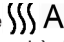


Se il riscaldatore è acceso nel periodo corrente, premendo il pulsante si spegne il riscaldatore.

Se il riscaldatore è spento nel periodo corrente, premendo il pulsante si accende il riscaldatore.

Che il riscaldamento effettivo sia acceso/spento dipende anche dalla temperatura della stanza e dalla temperatura impostata.

2b.42 Se si preme  per accedere alla modalità avanzata in modalità di riscaldamento del timer giornaliero e settimanale, apparirà nell'angolo in alto a destra dello schermo .

2b.43 Premere  di nuovo, altrimenti allo scadere del tempo del timer si uscirà dalla modalità avanzata.

### Finestra di rilevamento aperta

2b.44 Quando il trasmettitore rileva un rapido calo della temperatura ambiente, verrà considerata come una finestra aperta: verrà visualizzata l'icona di avviso e il riscaldamento si spegnerà automaticamente.



2b.45 Dopo l'aumento della temperatura interna o l'intervento manuale (azionando il telecomando), si tornerà al normale stato di funzionamento.

# Istruzioni Per L'utente

## 3. Togliere le parti anteriori decorative



**IMPORTANTE: MANEGGIARE CON CURA. QUESTA PARTE ANTERIORE DECORATIVA È PESANTE. SOLLEVARE CON CAUTELA. LO SPOSTAMENTO RICHIEDE 2 PERSONE.**



**PRIMA DI TOGLIERE LA PARTE ANTERIORE DECORATIVA CON L'EFFETTO LED, ISOLARE L'APPARECCHIO DALL'ALIMENTAZIONE DI RETE.**

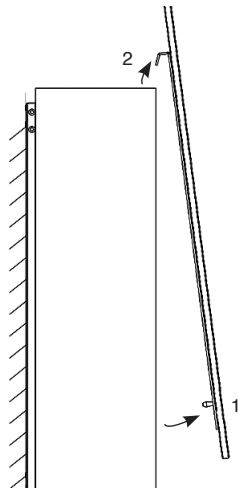
3.1 Se la parte anteriore decorativa ha una funzione LED:

Staccare lo spinotto dell'illuminazione LED da dietro il vetro e scollegare i cavi.

3.2 Rimuovere le 2 viti nelle linguette sulla parte superiore dell'apparecchio.

3.3 Tirare in avanti con attenzione l'estremità più bassa della parte anteriore decorativa per staccare i perni inferiori dalle fessure sul fondo, vedere figura (1).

3.4 Sollevare la parte anteriore decorativa dalle fessure nella parte superiore dell'apparecchio, vedere figura (2).



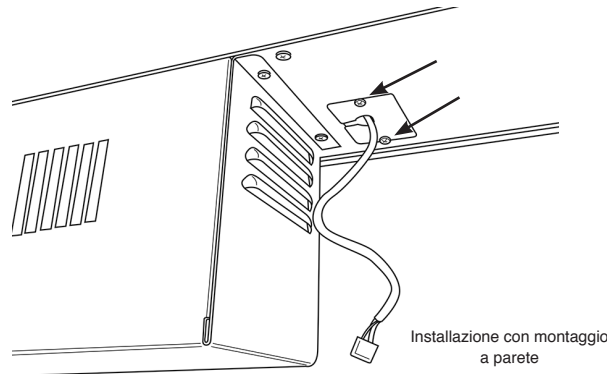
3.5 Riassemblare seguendo l'ordine inverso.

## Retroilluminazione LED

Se il cavo della retroilluminazione non serve, può essere conservato dietro il pannello di accesso sul fondo dell'apparecchio.

Una volta che la cornice decorativa è stata tolta:

3.6 Rimuovere le 2 viti che fissano il pannello di accesso sulla base del focolare, vedere figura.

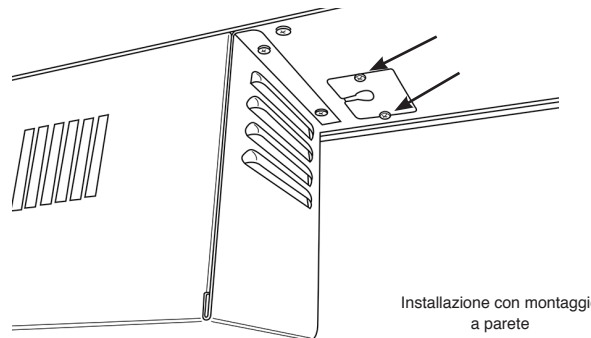


3.7 Mettere il cavo nell'apparecchio.



**SI PREGA DI ASSICURARSI DI NON INCASTRARE ALCUN FILO PRIMA DI RIPOSIZIONARE IL PANNELLO DI ACCESSO.**

3.8 Rimettere il pannello di accesso e fissarlo con le due viti, vedere figura.



## 4. Manutenzione

4.1 **SCOLLEGARE SEMPRE DALLA RETE ELETTRICA PRIMA DI PULIRE O DI ESEGUIRE QUALSIASI TIPO DI MANUTENZIONE.**

### PULIZIA GENERALE

4.2 Pulire solo l'involucro esterno quando l'apparecchio è freddo. Non usare detergenti abrasivi.

### PULIZIA DELLE PARTI ANTERIORI

4.3 Passare un panno umido sulla parte anteriore e lucidare con un panno senza pelucchi.

**Attenzione: non utilizzare detergenti abrasivi sul pannello in vetro. Non spruzzare direttamente liquidi su nessuna superficie dell'unità.**

### PULIZIA DELLE PRESE D'ARIA

4.4 Assicurarsi che l'apparecchio sia scollegato.

4.5 Togliere la parte anteriore decorativa (vedere sezione 3).

4.6 Togliere e lavare l'effetto combustibile per rimuovere qualsiasi particella di polvere. In alternativa pulire con un piumino che non lasci residui.

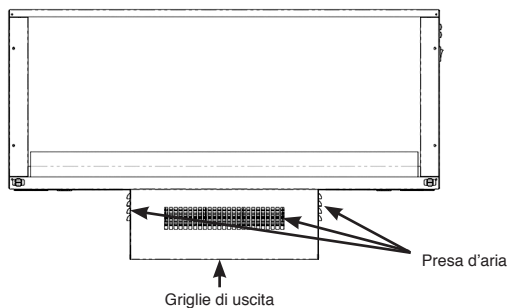
**Assicurarsi che l'effetto sia asciutto prima di rimetterlo.**

Quando si sostituisce l'effetto combustibile, assicurarsi che sia sparso in maniera omogenea nel crogiolo di combustione.

Solo per l'effetto pietra: Sparpagliare a caso l'effetto chiaro in tutto il crogiolo di combustione.

**PULIZIA DELLE PRESE D'ARIA**

- 4.7 Assicurarsi che l'apparecchio sia scollegato.
- 4.8 Pulire regolarmente la presa d'aria e le griglie di uscita con un panno morbido o con il becco dell'aspirapolvere.



**Gli accumuli di polvere possono impedire il corretto funzionamento della ventola e causare l'attivazione dell'interruttore di sicurezza**

- 4.9 Tenere l'area intorno all'apparecchio pulita e libera da lanugine, polvere o peli di animali.
- 4.10 In particolare, è possibile che si formino degli accumuli di polvere, ecc. attorno all'area del riscaldatore in cima all'elettrodomestico. Prestare particolare attenzione a mantenere quest'area regolarmente libera da tali particelle per impedire gli accumuli.

**SOSTITUZIONE DELLE PILE**

- 4.11 Quando le pile del telecomando sono scariche, devono essere immediatamente sostituite. Installare i corretti ricambi e smaltire con attenzione le pile vecchie.

# Brukerinstruksjoner

## VIKTIG

**RILLENE FORAN VARMEUTTAKET BLIR VELDIG VARME UNDER BRUK.  
IKKE DEKK TIL RILLENE ELLER NOEN ANNEN DEL AV APPARATET.**

Kun for bruk med 230 V 50Hz strømtilførsel.


Vennligst les disse instruksjonene nøye før bruk og oppbevar dem på et trygt sted.

Det vil bli bruk for dem når det skal utføres service eller vedlikehold på enheten.

DENNE PEISEN MÅ TILKOBLES JORD

## 1. Viktig Informasjon Helse Og Sikkerhet

**BEHANDLES FORSIKTIG:  
LAKKEN AV DEKORATIVE RAMMER KAN MARKERE  
VED HÅNTERING.  
BRUK ALLTID HANSKER LEVERT UNDER  
INSTALLASJONEN.**

- 1.1 Les alle instruksjonene nøye før du tar i bruk peisen.
- 1.2 Fjern all emballasje og sørg for å avhende emballasjen på en gjenvinningsstasjon.
- 1.3 Ikke plasser denne peisen umiddelbart rett under et strømkontakt.
- 1.4 Ikke bruk peisen i nærheten av bad, dusj, svømmebasseng eller annet område der peisen kan komme i kontakt med vann eller fuktighet, f.eks. i baderom.
- 1.5  **ADVARSEL! IKKE DEKK TIL**  
Ikke la peisen bli tildekket eller la luftinntak/-avløp bli hindret da dette kan føre til overoppheting. Vennligst merk deg advarselssymbolet på peisen (se over).
- 1.6 **Kun for innendørs bruk.** Peisen er ikke egnet for bruk utenfor huset.

- 1.7 Hold strømledningen unna varme overflater og varme generelt. Ikke legg strømledningen foran peisen.
- 1.8 Dette apparatet må festes godt på eller innfelt i, en flat innervegg. Påse at møbler, gardiner osv. ikke er plassert nærmere enn 1 m fra apparatet.
- 1.9 Når den elektriske peisen er installert, må plasseringen av støpslet være tilgjengelig.
- 1.10 Om strømledninger må passere gjennom en peis, steininnramming e.l. må det passes på at det monteres egnede gummihylser på mulige slitepunkter.
- 1.11 Dersom strømkabelen er ødelagt, må du ikke bruke peisen før du har byttet den. Av sikkerhetsmessige grunner bør dette arbeidet utføres av elektriker med godkjent kompetanse.
- 1.12 **ADVARSEL:** For å unngå en fare grunnet utilsiktet tilbakestilling av den termiske sikringsautomaten, må denne anordningen ikke få strømtilførsel via et eksternt bryter-apparat, slik som en tidsbryter. Den må heller ikke kobles til en krets som regelmessig skrur på og av strømforsyningen.
- 1.13 Ikke bruk peisen hvis den har fått skader.
- 1.14 Reparasjoner av elektriske apparater må bare gjøres av autoriserte teknikere. Dersom peisen ikke virker eller det er blitt ødelagt, vennligst kontakt forhandleren som solgte deg peisen.
- 1.15 Dette apparatet kan brukes av barn fra 8 år og oppover og av personer med redusert fysisk, sensorisk eller mentale evner, eller mangel på erfaring og kjennskap, dersom de er under tilsyn eller har blitt gitt instruksjoner om bruk av apparatet på en trygg måte og de forstår farene som er involvert. Barn under 3 år bør holdes unna med mindre de er kontinuerlig overvåket.
- Barn i alderen mellom 3 og 8 år skal kun slå apparatet på/ av dersom det er plassert og montert i dens tiltenkte normale driftsposisjon og de er under tilsyn eller har blitt gitt instruksjoner om bruk av apparatet på en trygg måte og de forstår farene involvert. Barn i alderen mellom 3 og 8 år skal ikke plugge inn, justere og rengjøre apparatet eller utføre vedlikehold.

## Gazco anbefaler uansett:

**Dette apparatet er ikke tiltenkt brukt av personer under 12 år, personer med nedsatt fysisk, sensorisk eller mental evne, eller personer som mangler erfaring og kjennskap til trygg betjening av apparatet.**

Apparatet kan betjenes av personer over 12 år forutsatt at de har fått instruksjon i trygg bruk av apparatet og at de forstår hvilke farer som er involvert. Personer over 12 år kan også betjene apparatet under tilsyn av en ansvarlig voksen person.

Deler av dette apparatet blir varme under drift og personer under 12 år må ikke under noen omstendigheter forlates alene med produktet når det er i drift med mindre det brukes et varmeskjold for å beskytte dem mot direkte kontakt med apparatet.

Barn skal ikke leke med apparatet.

Rengjøring og brukervedlikehold skal ikke utføres av barn uten tilsyn.



## 2. Betjeningsinstruksjoner



**ADVARSEL! Ikke bruk peisen hvis det har fått skader. Dersom du mistenker at peisen er ødelagt eller ikke fungerer som det skal, kontakt en godkjent tekniker for å inspisere peisen og, dersom nødvendig, bytt ut den aktuelle delen i det elektriske systemet før du bruker peisen igjen.**

Strømtilførselen må ikke frakobles når peisen er På. Bruk funksjonene på fjernkontrollen for å slå av peisen og forsikre deg om at skillebryteren er satt i Av-stilling før strømmen frakobles.

### GENERELL INFORMASJON

- 2.1 Apparatet kan betjenes av radiofrekvens-håndkontrollen eller de manuelle kontroller.



**MERK:** For å bruke både fjernkontrollen og manuelle funksjoner må den manuelle på/av-bryteren stå i posisjon 'PÅ'. For å unngå at produktet blir for varmt, er det en 10 sekunders forsinkelse når du skrur på varmeapparatet, og en 10 sekunders forsinkelse når du skrur av vifteovnen.

Den manuelle knappen kontrollerer grunnleggende funksjoner, ikke en hel serie med kontroller. Bruk fjernkontrollen for å utføre alle funksjonene.

### FORBEREDELSE FØR BRUK

#### Batterier:

- 2.2 Forsikre deg om at batteriet i fjernkontrollen er nytt og er satt i korrekt.
- 2.3 Gamle batterier må kasseres på godkjent gjenvinningsstasjon.

### PLASSERING AV STRØMBRYTER

- 2.4 Nettstrømbryteren sitter på kontrollpanelet på høyre side av apparatet, se diagram.

#### Veggmontert

Adkomst fra høyre side på den dekorative fronten.

#### Delvis innfelt montering

Fjern den dekorative fronten. Bryteren kan nå nås gjennom utsparingen i innfellingsbrakketten.

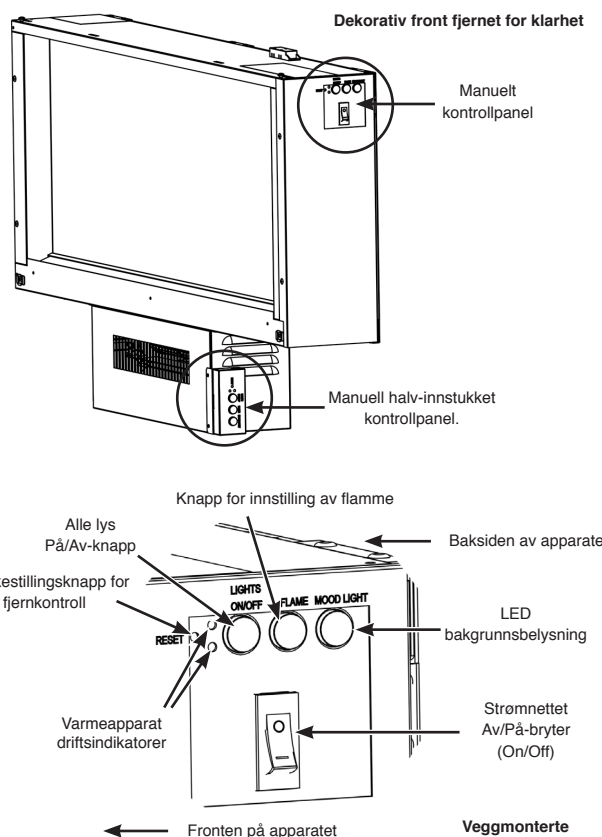
**Apparatet må være adskilt fra strømforsyningen.**

- 2.5 Sett bryteren på ON (-) før bruk, enten med fjernkontrollen eller de manuelle kontrollene.
- 2.6 Det høres et pip når den elektriske peisen er klar til bruk.

## 2a. Manuelt kontrollpanel

### Veggmonterte apparater

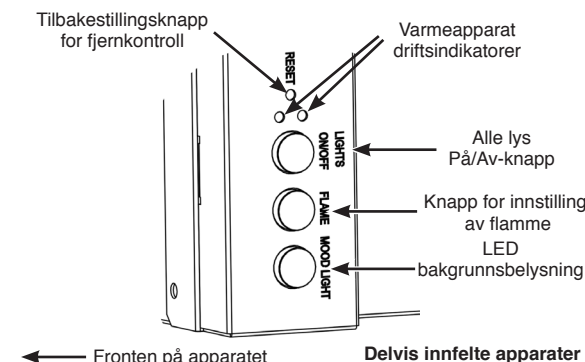
- 2a.1 De manuelle kontrollene er på høyre side av ytterdekslet bak den dekorative fronten, se diagrams.



### Delvis innfelte apparater

- 2a.2 Adkomst til de manuelle kontrollene på siden av apparatet er begrenset når apparatet er montert delvis innfelt.

Dette apparatet har en ekstra kontrollboks plassert på høyre side av varmeenheten, se diagrams.



- 2a.3 Skru på apparatet med nettstrømbryteren i posisjon '—'. En langvarig pipelyd vil høres.
- 2a.4 Trykk på "LYS PÅ/AV" for å skru på eller av både flammen og brennkammeret samtidig.
- 2a.5 Det er 3 alternativ for flammefarge:  
Trykk på knappen "FLAMME" for å velge fargen på flammen (3 ulike flammefarger med flamme) eller gå tilbake til AV-posisjon.
- 2a.6 Trykk på knappen "LED BAKGRUNNSLYS" for å velge fargen på LED bakgrunnslys (14 ulike brennkamre) eller gå tilbake til AV-posisjon.

**Merk:** Apparatet vil miste minnet for lysfunksjonene når bryteren er satt i Av-posisjon eller fjernkontrollen går tom for strøm.

# Brukerinstruksjoner

## Varmeapparat driftsindikatorer

2a.7 Når vifteovnen brukes sammen med flamme- eller brennkammer-effekt vil varmeapparatets driftsindikatorer lyse opp i 10 sekunder.

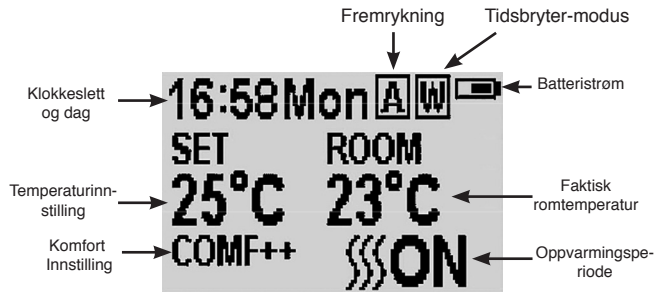
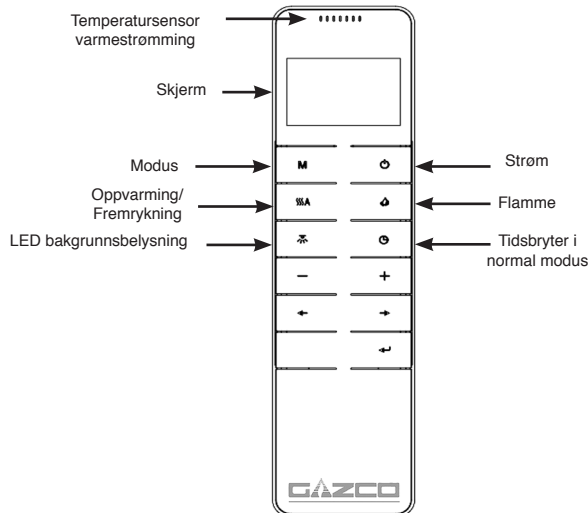
LED-lampene vil lyse i 10 sekunder dersom flamme- eller brennkammer-effekt er På.  
Dersom vifteovnen brukes uavhengig, vil varmeapparatets driftsindikatorer forbli på.

## Tilbakestillingsknapp for fjernkontroll

2a.8 Dersom håndkontrollen mister signal eller behøves å skiftes ut, se vedlikeholdsavsnittet for mer detaljer.

## 2b. Fjernkontroller

Fjernkontrollen bør legges på et flatt underlag i rommet der apparatet er montert og vekk fra enhver direkte varmluftsstrøm.



## Signalkode

2b.1 Fjernkontrollen virker via radiosignal. Den håndholdte senderen er konfigurert på fabrikk med en unik signalkode.

**VIKTIG: Dersom håndkontrollen mister signal eller behøves å skiftes ut, se vedlikeholdsavsnittet for mer detaljer.**

## Skru på/av.

- 2b.2 Trykk på knappen for å skru på flamme-effekten.
- 2b.3 Trykk på knappen for å skru av alle funksjonene under normal varmekontroll-modus inkludert flamme-effekt og vifteovn.
- 2b.4 Trykk på knappen for å skru av flamme-effekten under daglig og ukentlig tidsbryter-varmemodus.

## Ukedager/ Klokkeslett/ Komforttemperatur og Innstilling av enhet

Ved aktivering anbefales det at klokken stilles tilbake til riktig klokkeslett for å sørge for en nøyaktig drift av apparatet.

2b.5 Hold **M** knappen inne i 3 sekunder for å gå inn i skjermbildet for innstillinger.

2b.6 Trykk på knappen '**<**' eller '**>**' for å velge innstillingen som skal endres.

Det valgte tegnet vil fremheves, se Diagram.



2b.7 Trykk på knappen '**+**' eller '**-**' for å justere tallet.

Klokkeslett: 24-timers system.  
Velg komforttemperatur fra 15-25°C.  
Temperatur-enhet: °C/°F.

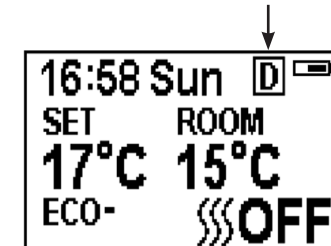
2b.8 Trykk på knappen i 3 sekunder eller vent i 10 sekunder for å lagre og gå ut av innstillingen av uke, klokkeslett og oppvarmingstemperatur.

## Daglig tidsinnstilt oppvarming


2b.9 De følgende oppvarmingsperiodene har blitt forhåndsinnstilt, og disse kan endres dersom det er ønskelig:

06:00 til 08.00  
17.00 til 22.00

2b.10 Trykk på **M** inntil **D** vises i øvre høyre hjørne på skjermen for å gå inn i modusen for daglig tidsinnstilt oppvarming.

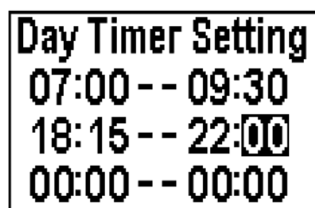



## Brukerinstruksjoner


2b.11 Hold knappen  inne i 6 sekunder for å gå inn i innstillingen for daglig oppvarming.  
Maksimalt 3 tidsinnstilte oppvarmingsperioder kan stilles inn per dag.

2b.12 Trykk på '←' eller '→' for å velge time eller minutter.

2b.13 Trykk på '+' eller '-' for å stille inn tallet.  
Minuttene øker / synker med 15 min per trykk.



2b.14 Hold knappen  inne i 3 sekunder eller vent i 10 sekunder for å lagre og gå ut av innstillingen av oppvarmings-tidsperiode.

2b.15 Sjekk tidsinnstillingen. Trykk på  for å sjekke modusen for daglig tidsinnstilling.

2b.16 Dersom du vil skru av oppvarmingen, må du gå tilbake til normal kontrollmodus for å skru den av.

**Når den er i modus for daglig tidsinnstilling, vil det å skru apparatet av med fjernkontrollen føre til at lysproduksjonen stanser. Varmeproduksjonen vil fortsette i samsvar med tidsinnstillingen.**

### Justering av den innstilte temperaturen

2b.17 Trykk på knappen '+' eller '-' for å øke eller redusere temperaturen fra utgangspunktet COMF-temperatur.

COMF betyr at den faktiske temperaturen er det samme som innstillingen.

ECO betyr at den faktiske temperaturen er 2°C lavere enn den innstilte temperaturen.

ECO- betyr 4°C lavere.


COMF+ betyr 2°C høyere.

COMF++ betyr 4°C høyere.

### Adaptiv startkontroll

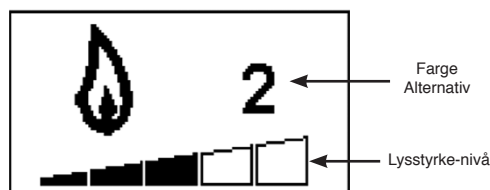
I samsvar med romtemperatur og innstilt temperatur, vil varmeapparatet automatisk avgjøre den hensiktsmessige tiden det vil ta å varme opp, for å sørge for at den når den innstilte temperaturen i den innstilte tiden (opptil 45 minutter før det innstilte klokkeslettet).

### Justering av flammefarge

2b.18 Trykk på  knappen for å gå inn i skjermbildet for flammefargejustering.

Det er 3 alternativer for flammefarge, indikert av nummeret vist i diagram.

Det er 6 nivå av lysstyrke, inkludert av. Dette er indikert av streken, og den tomme streken indikerer av, se Diagram.




2b.19 Trykk på knappen '←' eller '→' for å gå gjennom alternativene for flammefarge.

2b.20 Trykk på knappen '+' for å øke flammens lysstyrke.

Trykk på knappen '-' for å redusere flammens lysstyrke inntil den går av.

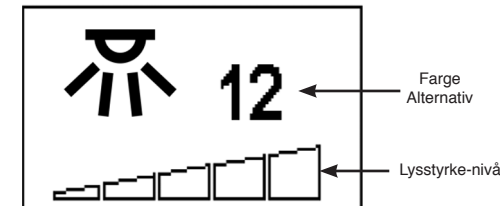
### LED Bakgrunnslys fargejustering

Hvis fronten har en LED-funksjon:

2b.21 Trykk på  enter for å gå inn i justerings-skjermen for bakgrunnslys.

Det er 14 alternativer for farge, indikert av nummeret vist i diagram.

Det er 6 nivå av lysstyrke, inkludert av. Dette er indikert av streken, og den tomme streken indikerer av, se diagram.



2b.22 Trykk på '←' eller '→' knappen for å gå igjennom fargevalgene for bakgrunnslys.

2b.23 Trykk på knappen '+' for å øke bakgrunnslysets lysstyrke.

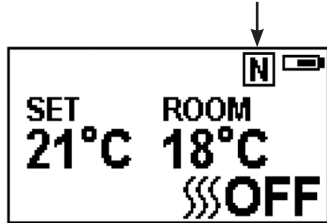
Trykk på knappen '-' for å redusere bakgrunnslysets lysstyrke inntil det skrur av.

# Brukerinstruksjoner

## Normal kontrollmodus

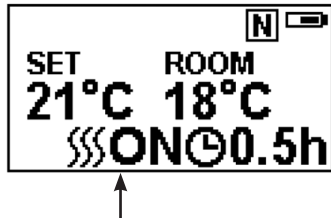
2b.24 Normal kontrollmodus er default-innstilling.

Alternativt kan du trykke på **M** knappen inntil **N** logoen vises øverst til høyre på skjermen, se Diagram.



2b.25 Trykk på knappen '+' eller '-' for å justere temperaturinnstillingen fra 17 °C til 25°C.

2b.26 Trykk på knappen **|||**A for å skru varmen på/av, **|||**PÅ eller **|||**AV vil vises nederst i høyre hjørne på skjermen, se Diagram.



Merk: Den er normalt at vifteovnen stanser i tidsperioder. Dette skjer dersom romtemperaturen er høyere enn temperaturen stilt inn på kontrollen.

Varmeapparatets indikator vil skrus av etter 10 sekunder dersom flammen er skrudd PÅ. Varmerapparatets indikator vil forbli PÅ dersom kun varmefunksjonen brukes.

**Når den er i normal kontrollmodus, vil det å skru av apparatet med fjernkontrollen føre til at både lysproduksjonen og varmeproduksjonen stanser.**

## Nedtelling tidsbryter

Denne innstillingen er kun i normal oppvarming kontrollmodus. Den gjør at apparatet kan gå tilbake i hvilemodus etter en innstilt tidsperiode. Varmerapparatet må skrus på for å bruke denne funksjonen.

2b.27 Trykk på **⌚** for å gå gjennom innstillingen fra Av og 0,5 timer til 9 timer. Tidsbryterens logo og gjenværende tid vil vises på skjermen.

Apparatets varmeeenhet kan drives automatisk ved å bruke daglig tidsinnstilling og ukentlig tidsinnstilling på fjernkontrollen.

## Batteri

Batteriets strømnivå indikeres øverst til høyre på fjernkontrollens skjermbilde, se Diagram.

	Batteri fullt	Ingen handling kreves
	Batteri halvfullt	Sørg for at nye batterier er tilgjengelige.
	Batteri tomt	Skift ut batterier umiddelbart

Utskiftning av batterier er anbefalt etter 1 år. Fjernkontrollen bruker 1.5V alkaliske AAA batterier.

**Å skifte ut batteriene vil ikke påvirke innstillingene av tidsbryter-modus, men det kan hende at klokken må stilles.**

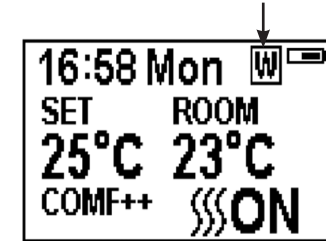
## Uke tidsinnstilt oppvarming

2b.28 De følgende oppvarmingsperiodene har blitt forhåndsinnstilt, og disse kan endres dersom det er ønskelig:

Fra mandag til fredag  
06:00 til 08:30  
17.00 til 22.00

Fra lørdag til søndag  
06.30 til 09.30  
11.00 til 13.00  
17.00 til 22.00

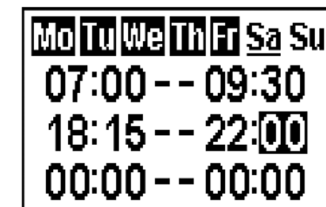
2b.29 Trykk på **M** inntil **W** vises i øvre høyre hjørne på skjermen for å gå inn i modusen for uke tidsinnstilt oppvarming.



2b.30 Hold knappen **←** inne i 6 sekunder for å gå inn i innstillingen for uke oppvarming.

2b.31 Trykk på '**←**' eller '**→**' for å flytte markøren (en blinkende understrekning).

2b.32 Trykk på **←** knappen på den tilhørende uke-posisjonen for å velge (karakteren blir markert) eller avbryte (karakteren vises normalt) den inneværende innstillingen, den samme tidsperioden kan velges sammen.




2b.33 Trykk på knappen '**→**' for å flytte markøren til innstillingsområdet for tidsperiode.


2b.34 Trykk på '**←**' eller '**→**' for å velge time eller minutter.


2b.35 Trykk på '+' eller '-' for å stille inn tallet.

Maksimalt 3 tidsinnstilte oppvarmingsperioder kan stilles inn per dag.

Minuttene øker / synker med 15 min per trykk.

2b.36 Trykk på  for å stille inn oppvarmingstid for den valgte dagen og gå tilbake til ukelinjen.

2b.37 Hold knappen  inne i 3 sekunder eller vent i 10 sekunder for å lagre og gå ut av innstillingen av oppvarmings-tidsperiode.

2b.38 Trykk på  '←' eller '→' for å sjekke tidsinnstillingen for uke tidsinnstilt oppvarming.

2b.39 Dersom du vil skru av oppvarmingen, må du gå tilbake til normal kontrollmodus for å skru den av.

**Når den er i modus for uke tidsinnstilling, vil det å skru av apparatet med fjernkontrollen føre til at lysproduksjonen stanser. Varmeproduksjonen vil fortsette i samsvar med tidsinnstillingen.**

2b.40 Trykk på knappen '+' eller '-' for å øke eller redusere temperaturen fra utgangspunktet COMF-temperatur.

COMF betyr at den faktiske temperaturen er det samme som innstillingen.

ECO betyr at den faktiske temperaturen er 2°C lavere enn den innstilte temperaturen.

ECO- betyr 4°C lavere.

COMF+ betyr 2°C høyere.

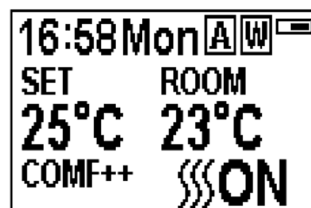
COMF++ betyr 4°C høyere.

## Adaptiv startkontroll

I samsvar med romtemperatur og innstilt temperatur, vil varmeapparatet automatisk avgjøre den hensiktsmessige tiden det vil ta å varme opp, for å sørge for at den når den innstilte temperaturen i den innstilte tiden (opptil 45 minutter før det innstilte klokkeslettet).

## Fremryknings-modus

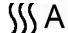

2b.41 Oppvarmings-tilstanden kan rykke frem til neste periode, og dette er under både daglig og uke tidsinnstilt oppvarming.



Dersom varmeapparatet er på i den inneværende perioden, vil det å trykke på knappen skru varmeapparatet av.

Dersom varmeapparatet er av i den inneværende perioden, vil det å trykke på knappen skru varmeapparatet på.

Hvorvidt den faktiske oppvarmingen er på/av avhenger også av romtemperaturen og den innstilte temperaturen.

2b.42 Trykk på  A for å gå inn i Fremryknings-modus under daglig og uke tidsinnstilt oppvarming,  vil vises øverst i høyre hjørne på skjermen.

2b.43 Trykk på  A en gang til eller så vil tidsperioden slutte og gå ut av Fremryknings-modus.

## Påvisning av åpne vinduer

2b.44 Når senderen oppdager et raskt fall av romtemperaturen, vil dette oppfattes som et åpent vindu: varsel-ikonet vil vises og oppvarmingen vil automatisk skrus av.



2b.45 Etter at innendørstemperaturen stiger eller etter manuelt inngrep (ved å bruke fjernkontrollen), vil det gå tilbake til normal driftsstatus.

## Brukerinstruksjoner

### 3. Fjerning av dekorative fronter

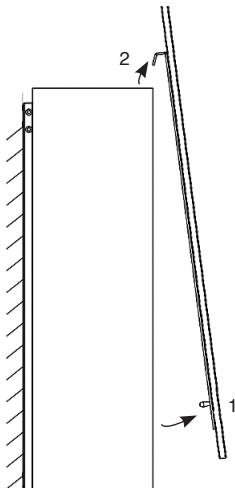


**VIKTIG: VÆR FORSIKTIG VED HÅNDBTERING. DEN DEKORATIVE FRONTEN ER TUNG. LØFT MED AKTSOMHET. HÅNDBTERING VIL KREVE 2 PERSONER.**



**FØR FJERNING AV DEN DEKORATIVE FRONTEN MED LED-EFFEKTER MÅ APPARATET KOBLES FRA STRØMNETTET.**

- 3.1 Hvis fronten har en LED-funksjon:  
Trekk ut kontakten til LED/lyset fra bak glasset og koble fra kablene.
- 3.2 Løsne de 2 skruene i leppene på toppen av apparatet.
- 3.3 Trekk underkanten av den dekorative fronten forsiktig ut for å løsne de nedre festene fra sporene, se diagram (1).
- 3.4 Løft den dekorative fronten av sporene på toppen av apparatet, se diagram (2).



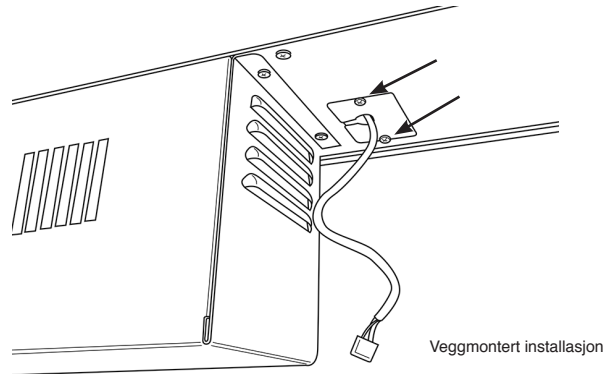
- 3.5 Bytt i revers.

### LED bakgrunnsbelysning

Dersom kabelen til bakgrunnsbelysningen ikke trengs kan den lagres bak adkomstpanelet i bunnen av apparatet.

Når den dekorative fronten er fjernet:

- 3.6 Skru ut de 2 skruene som fester adkomstpanelet til undersiden av peisinnsetsen, se diagram.

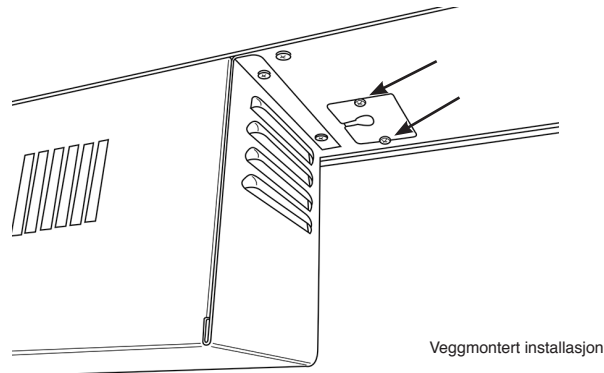


- 3.7 Koble kablene i apparatet.



**VENNLIGST PÅSE AT INGEN KABLER ER FANGET FØR DU SETTER PÅ PLESS ADKOMSTPANELET.**

- 3.8 Sett på plass adkomstpanelet og sikre det med de 2 skruene, se diagram.



### 4. Vedlikehold

- 4.1 **TA ALLTID STØPSLET UT AV STRØMKONTAKTEN FØR DU GJØR RENT ELLER UTFØRER NOEN FORMER FOR VEDLIKEHOLD.**

#### GENERELL RENGJØRING

- 4.2 Du må bare rengjøre det ytre kabinettet når det er kaldt. Ikke bruk rengjøringsmidler med slipemiddel.

#### RENGJØRING AV FRONTER

- 4.3 Tørk av fronten med en våt klut og poler med en lofri støvfiller.

**Forsiktig! Ikke bruk rengjøringsmidler med slipemiddel på glasspanelet. Ikke sprut væske direkte på noen av overflatene på enheten.**

#### RENGJØRING AV BRENSELEFFEKT

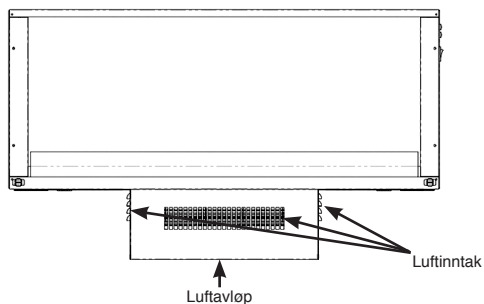
- 4.4 Forsikre deg om at støpslet til peisen er tatt ut av strømkontakten.
- 4.5 Fjern den dekorative fronten, se avsnitt 3.
- 4.6 Fjern og rengjør brenseleffekten for å fjerne alle støvpartikler. Eller rengjør med en lofri støvfiller.  
**Påse at effekten er tørr før den settes tilbake.**

Ved utskifting av brenseleffekt må du se til at den er spredt jevnt utover brennkammeret.

Kun for steineffekt: Spre den gjennomsiktige effekten tilfeldig utover brennkammeret.

## RENGJØRING AV LUFTINTAK

- 4.7 Forsikre deg om at støpslet til peisen er tatt ut av strømkontakten.
- 4.8 Rengjør ristene ved inntaket og avløpet jevnlig med en myk klut eller munnstykket på en støvsuger.



**Oppsamlet støv kan hindre effektiv ytelse på viften og føre til aktivering av termisk sikringsautoma.**

- 4.9 Hold området rundt peisen rent og fritt for lo, støv eller hår fra kjøledyr.
- 4.10 Opphopning av støv og lignende kan særlig oppstå rundt varmeområdet på toppen av apparatet. Vær spesielt nøye med å holde dette området fritt for slike partikler, rengjør jevnlig for å hindre oppsamling.

## BYTTE BATTERI

- 4.11 Når batteriene i fjernkontrollen begynner å bli lave, skal de umiddelbart byttes ut. Installer de nye batterier korrekt og kasser de gamle på forskriftsmessig måte.

# Instrukcja obsługi

## WAŻNE

**KRATKA WYLOTOWA URZĄDZENIA GRZEJNEGO STAJE SIĘ BARDZO GORĄCA PODCZAS PRACY. NIE ZAKRYWAĆ KRATKI WYLOTOWEJ ANI ŻADNEJ INNEJ CZĘŚCI URZĄDZENIA.**

Urządzenie wymaga zasilania 230 V, 50Hz.


Przed instalacją oraz rozpoczęciem użytkowania urządzenia należy zapoznać się z treścią niniejszej instrukcji i zachować ją do późniejszego odniesienia podczas obsługi i serwisowania urządzenia.

URZĄDZENIE WYMAGA UZIEMIENIA

## 1. Istotne informacje i zasady bezpieczeństwa

### OSTROŻNIE:

**POWIERZCHNI FARBY DEKORACYJNYCH RAMKI MOGĄ MARK PODCZAS OBSŁUGI. ZAWSZE NALEŻY NOSIĆ RĘKAWIC PODANEJ PODCZAS INSTALACJI.**

- 1.1 **Przed rozpoczęciem pracy z urządzeniem zapoznać się z treścią niniejszej instrukcji.**
- 1.2 **Utylizować opakowania w zakładzie przetwarzania odpadów.**
- 1.3 Nie instalować urządzenia bezpośrednio pod gniazdem elektrycznym.
- 1.4 Nie stosować urządzenia w bezpośrednim sąsiedztwie wanny, prysznica, basenu lub miejsca, w którym może dojść do kontaktu z wodą lub wilgocią, np. w łazience.
- 1.5  **OSTRZEŻENIE! NIE ZAKRYWAĆ URZĄDZENIA**  
Nie zakrywać urządzenia oraz wlotów i wylotów powietrza, ponieważ może to spowodować jego przegrzanie. Zwrócić szczególną uwagę na symbole ostrzeżeń umieszczone na urządzeniu (patrz powyżej).
- 1.6 **Wyłącznie do użytku w pomieszczeniach zamkniętych.**  
Urządzenie nie może być użytkowane na zewnątrz pomieszczeń.

- 1.7 Poprowadzić przewód zasilający z dala od gorących powierzchni. Nie prowadzić przewodu z przodu urządzenia.
- 1.8 To urządzenie musi być trwale przymocowane lub wpuszczone do płaskiej ściany wewnętrznej. Upewnić się, że meble, zastawy itp. są umieszczone nie bliżej niż w odległości 1 m od urządzenia.
- 1.9 Urządzenie należy zamontować w miejscu zapewniającym łatwy dostęp do wtyczki przewodu zasilającego.
- 1.10 W przypadku gdy przewód elektryczny ma przebiegać przez kominiek, obudowę kamienną itd., należy zapewnić odpowiednie tuleje gumowe w miejscach, w których przewód może być narażony na przetarcie.
- 1.11 Nie użytkować urządzenia w przypadku uszkodzenia przewodu zasilającego. Ze względów bezpieczeństwa wymianę przewodu zasilającego należy zlecić pracownikowi serwisu Gazco lub wykwalifikowanemu elektrykowi.
- 1.12 **OSTRZEŻENIE:** W celu uniknięcia niebezpieczeństwa spowodowanego przez niezamierzone resetowanie termicznego wyłącznika, urządzenie nie może być zasilane przez zewnętrzne urządzenie przełączające, takie jak timer, ani przyłączone do obwodu, który jest regularnie włączany i wyłączany przez urządzenie.
- 1.13 Nie uruchamiać uszkodzonego urządzenia.
- 1.14 Naprawy urządzenia mogą być wykonywane wyłącznie przez wykwalifikowanego elektryka. Jeżeli urządzenie nie uruchamia się, lub w przypadku uszkodzenia, skontaktować się ze sprzedawcą.
- 1.15 To urządzenie może być używane przez dzieci powyżej 8 lat oraz przez osoby niepełnosprawne fizycznie, czuciowo lub umysłowo, oraz przez osoby nieposiadające doświadczenia i wiedzy, jeżeli są nadzorowane lub poinstruowane w zakresie używania urządzenia w bezpieczny sposób, i które rozumieją niebezpieczeństwa z nim związane. Dzieci poniżej 3 lat nie powinny znajdować się w pobliżu urządzenia, jeżeli nie są nadzorowane w sposób ciągły.  
  
Dzieci od 3 do 8 lat mogą włączać/wyłączać urządzenie tylko wtedy, gdy będzie umieszczone lub zainstalowane w przeznaczonym dla niego zwykłym miejscu roboczym i jeżeli są nadzorowane lub poinstruowane w zakresie używania urządzenia w bezpieczny sposób, i które rozumieją niebezpieczeństwa z nim związane. Dzieci od 3 do 8 lat nie mogą podłączać urządzenia do prądu, regulować ani czyścić lub wykonywać konserwacji.

### Jednakże Gazco zaleca:

**To urządzenie nie jest przeznaczone do użytku przez osoby poniżej 12 lat, osoby niepełnosprawne fizycznie, czuciowo lub umysłowo, oraz przez osoby nieposiadające doświadczenia i wiedzy w dziedzinie bezpiecznej obsługi urządzenia.** Urządzenie może być obsługiwane przez osoby powyżej 12 lat, pod warunkiem że zostały poinstruowane o bezpiecznym używaniu urządzenia i rozumieją zagrożenia związane z jego używaniem.. Osoby powyżej 12 lat mogą również obsługiwać urządzenie pod nadzorem odpowiedzialnej osoby dorosłej.

Części tego urządzenia rozgrzewają się podczas pracy i osoby poniżej 12 lat nie mogą nigdy zostać bez opieki przy pracującym urządzeniu, o ile nie zastosowano odpowiedniej osłony piecyka, aby zabezpieczyć te osoby przed bezpośrednim kontaktem z urządzeniem.

Dzieci nie mogą bawić się urządzeniem.

Czyszczenie i konserwacja nie mogą być wykonywane przez dzieci bez nadzoru.



# Instrukcja obsługi

## 2. Instrukcja obsługi



**OSTRZEŻENIE!** Nie uruchamiać uszkodzonego lub nieprawidłowo działającego urządzenia. W przypadku uszkodzenia lub nieprawidłowo działającego urządzenia, przed ponownym uruchomieniem wymagany jest przegląd przez pracownika serwisu i wymiana uszkodzonych części układu elektrycznego.

Nie odłączać zasilania podczas pracy urządzenia. Przed odłączeniem urządzenia wyłączyć kominek za pomocą pilota i użyć wyłącznika głównego.

### OGÓLNE

- 2.1 Urządzenie może być obsługiwane przy pomocy pilota z częstotliwością radiową lub ręcznych regulatorów.



**UWAGA:** W celu stosowania funkcji zdalnych i ręcznych, przełącznik ręczny musi być w pozycji "ON (WŁĄCZONY)". Aby zapobiec przegrzaniu produktu, istnieje opóźnienie 10 s, gdy włącza się grzejnik oraz opóźnienie 10 s, gdy włącza się wentylator grzejnika.

Ręczny przycisk steruje podstawowymi funkcjami, ale nie całym zakresem regulatorów. Należy użyć zdalnego pilota, aby zrealizować wszystkie funkcje.

### PODSTAWOWE INFORMACJE

#### Bateria:

- 2.2 Sprawdzić, czy bateria pilota jest nowa i została poprawnie włożona.
- 2.3 Zużyte baterie należy utylizować zgodnie z obowiązującymi przepisami.

### WYŁĄCZNIK ZASILANIA

- 2.4 Przełącznik zasilania w prąd znajduje się na panelu sterującym umieszczonym po prawej stronie urządzenia, zob. rysunek.

#### Montowanie na ścianie

Dostęp od prawej strony dekoracyjnego przodu.

#### Instalacja częściowo wpuszczana

Zdjąć dekoracyjny przód. Można teraz uzyskać dostęp do przełącznika przez wycięcie w uchwycie dla otworu do wpuszczania.

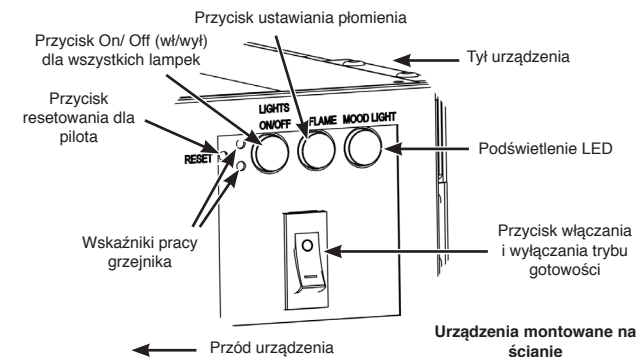
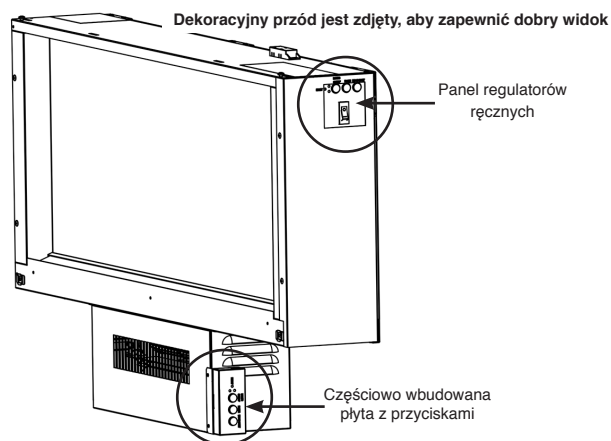
**Urządzenie musi być odłączone od zasilania.**

- 2.5 Włączyć (pozycja ON (—)), aby używać pilota lub ręcznego sterowania.
- 2.6 Krótki sygnał dźwiękowy oznacza gotowość kominka do działania.

## 2a. Panel regulatorów ręcznych

### Urządzenia montowane na ścianie

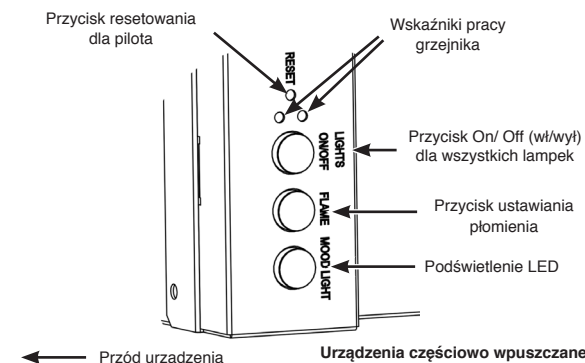
- 2a.1 Regulatory ręczne znajdują się po prawej stronie zewnętrznej obudowy za dekoracyjnym przodem, zob. rysunki.



### Urządzenia częściowo wpuszczane

- 2a.2 Dostęp do ręcznych regulatorów z boku urządzenia jest ograniczony po zainstalowaniu urządzenia w sposób częściowo wpuszczony.

To urządzenie ma dodatkową skrzynkę sterowania przymocowaną do prawej strony zespołu urządzenia grzewczego, zob. rysunki.



- 2a.3 Włączanie urządzenia przy pomocy przełącznika zasilania w pozycji „—” będzie słyszalny długi sygnał dźwiękowy.
- 2a.4 Nacisnąć „LIGTHS ON/OFF (LAMPKI WŁ/WYŁ)”, aby włączyć lub wyłączyć równocześnie płomień i palenisko.

# Instrukcja obsługi

2a.5 Dostępne są 3 opcje barwy płomienia:

Nacisnąć przycisk „FLAME (PŁOMIENI)”, aby wybrać barwę płomienia (3 rodzaje barwy płomienia), lub powrócić do pozycji OFF (WYŁĄCZONY).

2a.6 Nacisnąć przycisk „LED BACKLIGHT (PODŚWIETLENIE LED)”, aby wybrać barwę podświetlenia LED (14 opcji barwy) lub powrócić do pozycji OFF (WYŁĄCZENIE).

**Uwaga: Wszystkie dane w pamięci urządzenia dla funkcji światła będą utracone, gdy przełącznik będzie ustawiony w pozycji Off (wył), lub gdy pilot utraci zasilanie.**

## Wskaźniki pracy grzejnika

2a.7 Gdy grzejnik wentylatorowy jest używany razem z efektem płomienia lub efektem będącym paliwem, to wskaźniki pracy grzejnika będą się świecić przez 10 sekund.

Diody LED będą się świecić przez 10 sekund, gdy efekt płomienia lub paliwo efekt jest włączony.

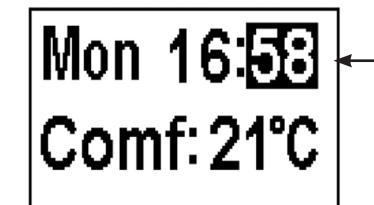
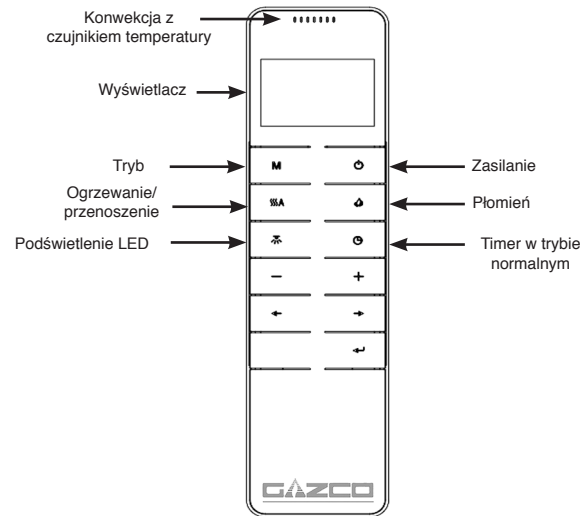
Gdy grzejnik wentylatorowy jest stosowany niezależnie, to wskaźniki pracy grzejnika pozostaną włączone.

## Przycisk resetowania dla pilota

2a.8 **Jeżeli pilot utraci sygnał, lub gdy wymaga wymiany, należy przeczytać z informacjami w punkcie dotyczącym serwisowania.**

## 2b. Pilot

**Pilot powinien być położony na płaskiej powierzchni w pomieszczeniu, gdzie urządzenie jest zainstalowane, i powinien znajdować się poza bezpośrednim przepływem gorącego powietrza.**



## Kod sygnałowy

2b.1 Pilot używa sygnału radiowego. Podręczny transmitter jest skonfigurowany fabrycznie z unikalnym kodem sygnałowym.

**WAŻNE: Jeżeli pilot utraci sygnał, lub gdy wymaga wymiany, należy przeczytać z informacjami w punkcie dotyczącym serwisowania.**

## Włączanie/wyłączanie

2b.2 Nacisnąć przycisk aby włączyć efekt płomienia.

2b.3 Nacisnąć przycisk aby wyłączyć wszystkie funkcje w ramach zwykłego trybu sterowania ogrzewaniem, w tym efekt płomienia i grzejnik wentylatorowy.

2b.4 Nacisnąć przycisk aby wyłączyć efekt płomienia w ramach ogrzewania z timerem dziennym i tygodniowym.

## Dni tygodnia / czas / temperatura komfortu i ustawienia urządzenia

Po aktywowaniu, zaleca się, aby zegar został zresetowany do poprawnego czasu, aby zapewnić dokładność pracy urządzenia.

2b.5 Przytrzymać przycisk **M** przez 3 sekundy, aby przejść do ekranu z ustawieniami.

2b.6 Nacisnąć przycisk '←' lub '→', aby wybrać ustawienie do zmiany.


Wybrany znak będzie podświetlony, zob. rysunek.

2b.7 Nacisnąć przycisk '+' lub '-', aby wybrać liczbę.

Czas: system 24-godzinny.

Wybrać temperaturę komfortu w zakresie 15-25°C.

Jednostka temperatury: °C/°F.

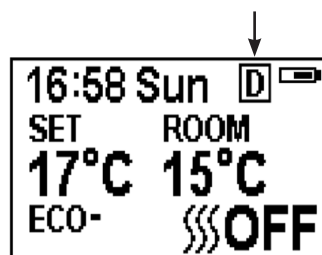
- 2b.8 Przytrzymać przycisk  przez 3 sekundy lub odczekać 10 sekund, aby zapisać i wyjść z ustawiania tygodnia, czasu i temperatury grzania.


## Dziennie ogrzewanie z timerem



- 2b.9 Poniższe okresy ogrzewania zostały wstępnie ustawione i można je zmienić w razie potrzeby:

06:00 do 08:00  
17:00 do 22:00

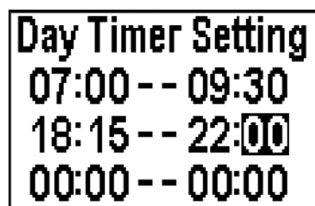
- 2b.10 Naciskać **M** do momentu **D** aż pojawi się w górnym prawym rogu ekranu, aby przejść do dziennego trybu ogrzewania z timerem.





- 2b.11 Przytrzymać przycisk  przez 6 sekund, aby przejść do ustawienia dziennego ogrzewania. Można ustawić maksymalnie 3 okresy ogrzewania dla dnia.

- 2b.12 Nacisnąć '' lub '' , aby wybrać godzinę lub minutę.

- 2b.13 Nacisnąć '+' lub '-' aby ustawić liczbę. Minuty zwiększają/zmniejszają się o 15 minut dla jednego naciśnięcia.



- 2b.14 Przytrzymać przycisk  przez 3 sekundy lub odczekać 10 sekund, aby zapisać i wyjść z ustawiania okresu ogrzewania.

- 2b.15 Sprawdzić ustawienia timera. Nacisnąć,  aby sprawdzić dzienny tryb timera.

- 2b.16 Jeżeli jest potrzeba wyłączenia ogrzewania, to będzie konieczne powrócenie do zwykłego trybu sterowania, aby wyłączyć.

**Wyłączanie urządzenia przy pomocy pilota zatrzyma oświetlenie, gdy jest się w dziennym trybie timera. Ogrzewanie będzie kontynuowane zgodnie z ustawieniami timera.**

## Regulacja ustawianej temperatury

- 2b.17 Nacisnąć przycisk '+' lub '-', aby zwiększyć lub zmniejszyć temperaturę na podstawie temperatury COMF.

COMF oznacza, że rzeczywista temperatura jest taka sama, jak ustawiona.

ECO oznacza, że rzeczywista temperatura jest niższa o 2°C od ustawionej temperatury.

ECO- oznacza 4°C poniżej.


COMF+ oznacza 2°C powyżej.

COMF++ oznacza 4°C powyżej.

## Adaptacyjne sterowanie uruchomieniem

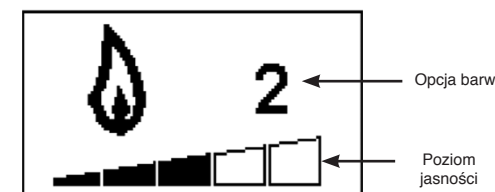
Zgodnie z temperaturą pomieszczenia i ustawioną temperaturą, grzejnik określi automatycznie odpowiedni czas ogrzewania, aby zapewnić, że ustawiona temperatura będzie osiągnięta w ustawionym czasie (maksymalnie 45 minut przed ustawionym czasem).

## Regulacja barwy płomienia

- 2b.18 Nacisnąć przycisk,  aby przejść do ekranu regulacji płomienia.

Istnieją 3 opcje barwy płomienia, które są oznaczone liczbami pokazanymi na rysunku.

Istnieje 6 poziomów jasności, w tym stan wyłączenia. Jest to oznaczone kreskami, z pustą kreską oznaczającą stan wyłączenia, zob. rysunek.



- 2b.19 Naciskać przycisk '<' lub '>' aby zmieniać opcje barw płomienia.

- 2b.20 Naciskać przycisk '+', aby zwiększyć jasność płomienia.

Naciskać przycisk '-', aby zmniejszyć jasność płomienia, aż do wyłączenia.

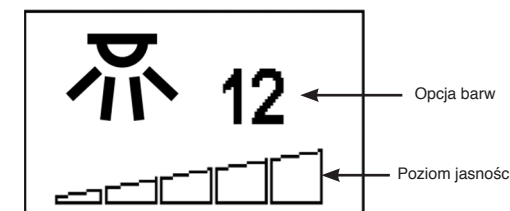
## Regulowanie barwy podświetlenia LED

Jeżeli dekoracyjny przód jest wyposażony w funkcję LED:

- 2b.21 Nacisnąć  aby przejść do ekranu regulacji podświetlenia.

Istnieje 14 opcji barwy, które są oznaczone liczbami pokazanymi na rysunku.

Istnieje 6 poziomów jasności, w tym stan wyłączenia. Jest to oznaczone kreskami, z pustą kreską oznaczającą stan wyłączenia, zob. rysunek.



## Instrukcja obsługi

2b.22 Naciskać przycisk '←' lub '→' aby zmieniać opcje barwy podświetlenia.

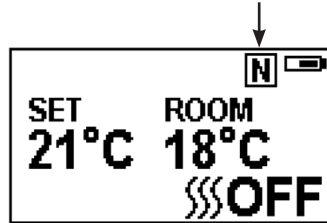
2b.23 Nacisnąć przycisk '+', aby zwiększyć jasność podświetlenia.

Naciskać przycisk '-', aby zmniejszyć jasność podświetlenia, aż do wyłączenia.

### Zwykły tryb sterowania

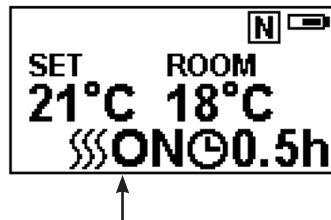
2b.24 Zwykły tryb sterowania jest ustawieniem domyślnym.

Alternatywnie, można naciskać przycisk **M** do momentu aż pojawi się **N** logo w górnym prawym rogu ekranu, zob. rysunek.



2b.25 Naciskać przycisk '+' lub '-', aby dostosować ustawioną temperaturę w zakresie 17°C do 25°C.

2b.26 Nacisnąć przycisk **A** aby włączyć/wyłączyć ogrzewanie pojawi się napis **ON** lub **OFF** w dolnym prawym rogu ekranu, zob. rysunek.



Uwaga: Zatrzymywanie się od czasu do czasu grzejnika wentylatorowego jest normalnym zjawiskiem. Zdarza się to wtedy, gdy temperatura pomieszczenia jest wyższa od ustawionej temperatury.

Wskaźnik grzejnika wyłączy się po 10 s, jeżeli płomień jest włączony. Wskaźnik grzejnika pozostanie włączony tylko wtedy, gdy używa się funkcji ogrzewania.

**Wyłączenie urządzenia przy pomocy pilota zatrzyma oświetlenie i ogrzewanie, gdy jest się w zwykłym trybie sterowania.**

### Timer odliczania

To ustawienie występuje tylko w zwykłym trybie sterowania ogrzewaniem. Pozwala to urządzeniu na powrót do trybu gotowości po ustawionym czasie. Grzejnik musi być włączony, aby móc używać tej funkcji.

2b.27 Należy naciskać **⏸** aby przełączać między ustawieniami Off (wyłączony) oraz od 0,5 do 9 godzin. Logo timera i pozostały czas będą wyświetlane na ekranie.

Grzejnik urządzenia może być uruchamiany automatycznie przy pomocy dziennego timera i tygodniowego timera na pilocie.

### Bateria

Poziom naładowania baterii jest pokazany na górze po prawej stronie ekranu sterowania pilota, zob. rysunek.

	Bateria pełna	Aktywacja nie jest wymagana
	Bateria naładowana w połowie	Należy zadbać, aby były dostępne nowe baterie.
	Bateria pusta	Należy niezwłocznie wymienić baterie

Wymiana baterii jest zalecana po 1 roku. Pilot wymaga dwóch baterii alkalicznych AAA 1,5 V.

Wymiana baterii nie będzie miała wpływu na ustawienia trybu timera, jednakże zegar może wymagać regulacji.

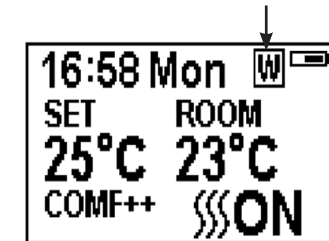
### Ogrzewanie z timerem tygodniowym

2b.28 Poniższe okresy ogrzewania zostały wstępnie ustawione i można je zmienić w razie potrzeby:

Od poniedziałku do piątku  
06:00 do 08:30  
17:00 do 22:00

Od soboty do niedzieli  
06:30 do 09:30  
11:00 do 13:00  
17:00 do 22:00

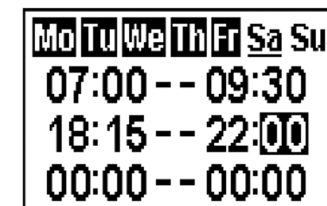
2b.29 Naciskać **M** do momentu **W** aż pojawi się w górnym prawym rogu ekranu, aby przejść do tygodniowego trybu ogrzewania.



2b.30 Przytrzymać przycisk **←** przez 6 sekund, aby przejść do trybu ogrzewania z timerem tygodniowym.

2b.31 Naciskać '←' lub '→' aby przesuwać kursor (migające podkreślenie).

2b.32 Naciskać przycisk **←** w odpowiedniej pozycji tygodnia, aby wybrać (znak jest podświetlony) lub anulować (znak jest wyświetlany normalnie) bieżące ustawienie, ten sam okres może być wybrany razem.



2b.33 Nacisnąć przycisk '→' aby przesunąć kursor do obszaru ustawiania okresu.

2b.34 Nacisnąć '←' lub '→' aby wybrać godzinę lub minutę.

2b.35 Nacisnąć '+' lub '-', aby ustawić liczbę.

Można ustawić maksymalnie 3 okresy ogrzewania dla dnia.

Minuty zwiększają/zmniejszają się o 15 minut dla jednego naciśnięcia.

2b.36 Nacisnąć ← aby ustawić czas ogrzewania dla wybranego dnia i powrócić do linii tygodnia.

2b.37 Przytrzymać przycisk ← przez 3 sekundy lub odczekać 10 sekund, aby zapisać i wyjść z ustawiania okresu ogrzewania.

2b.38 Naciskać ← '←' lub '→' aby sprawdzić ustawienia timera dla trybu ogrzewania z timerem tygodniowym.

2b.39 Jeżeli jest potrzeba wyłączenia ogrzewania, to będzie konieczne powrócenie do zwykłego trybu sterowania, aby wyłączyć.

**Wyłączanie urządzenia przy pomocy pilota zatrzyma oświetlenie, gdy jest się w dziennym trybie timera. Ogrzewanie będzie kontynuowane zgodnie z ustawieniami timera.**

## Regulacja ustawianej temperatury

2b.40 Nacisnąć przycisk '+' lub '-', aby zwiększyć lub zmniejszyć temperaturę na podstawie temperatury COMF.

COMF oznacza, że rzeczywista temperatura jest taka sama, jak ustawiona.

ECO oznacza, że rzeczywista temperatura jest niższa o 2°C od ustawionej temperatury.

ECO- oznacza 4°C poniżej.

COMF+ oznacza 2°C powyżej.

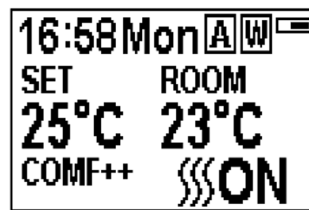
COMF++ oznacza 4°C powyżej.

## Adaptacyjne sterowanie uruchomieniem

Zgodnie z temperaturą pomieszczenia i ustawioną temperaturą, grzejnik określi automatycznie odpowiedni czas ogrzewania, aby zapewnić, że ustawiona temperatura będzie osiągnięta w ustawionym czasie (maksymalnie 45 minut przed ustawionym czasem).

## Tryb przenoszenia

2b.41 Stan ogrzewania może być przenoszony do następnego okresu w ramach trybu ogrzewania z timerem dziennym i tygodniowym.



Jeżeli grzejnik jest włączony w bieżącym okresie, to naciśnięcie przycisku wyłączy grzejnik.

Jeżeli grzejnik jest wyłączony w bieżącym okresie, to naciśnięcie przycisku włączy grzejnik.

Aktualne włączenie/wyłączenie grzejnika również zależy od temperatury pomieszczenia i ustawionej temperatury.

2b.42 Nacisnąć **W** aby przejść do trybu przenoszenia w ramach trybu ogrzewania z timerem dziennym i tygodniowym, **A** pojawi się w górnym prawym rogu ekranu.

2b.43 Nacisnąć ponownie **W** w przeciwnym wypadku okres timera zakończy się i nastąpi wyjście z trybu przenoszenia.

## Wykrywanie otwartego okna

2b.44 Gdy transmiter wykryje szybki spadek temperatury w pomieszczeniu, to oceni to jako otwarte okno: ikona ostrzeżenia będzie wyświetlona a ogrzewanie będzie wyłączone automatycznie.



2b.45 Po wzroście temperatury w pomieszczeniu lub interwencji ręcznej (przy pomocy pilota), urządzenie powróci do zwykłego stanu roboczego.

# Instrukcja obsługi

## 3. Zdejmowanie dekoracyjnych przodów

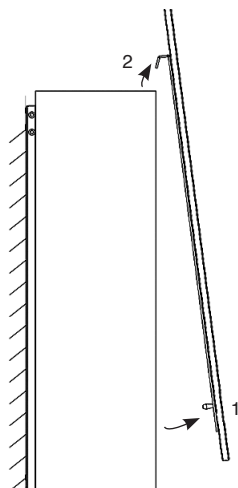


**WAŻNE: UWAŻAĆ PODCZAS OBCHODZENIA SIĘ Z NIMI TEN DEKORACYJNY PRZÓD JEST CIĘŻKI OSTROŻNIE PODNOSIĆ. TA CZYNNOŚĆ WYMAGA DWÓCH OSÓB.**



**PRZED ZDJĘCIEM DEKORACYJNEGO PRZODU Z EFEKTEM LED NALEŻY ODŁĄCZYĆ ZASILANIE OD URZĄDZENIA.**

- 3.1 Jeżeli dekoracyjny przód jest wyposażony w funkcję LED:  
Wyjąć wtyczkę oświetlenia LED z tyłu szyby i odłączyć kable.
- 3.2 Odkręcić 2 śruby w wspornikach na górze urządzenia.
- 3.3 Ostrożnie pociągnąć dolną krawędź dekoracyjnego przodu do siebie, aby odłączyć dolne kołki od dolnych szczelin, zob. rysunek (1).
- 3.4 Podnieść dekoracyjny przód w celu uwolnienia ze szczelin na górze urządzenia, zob. rysunek (2).



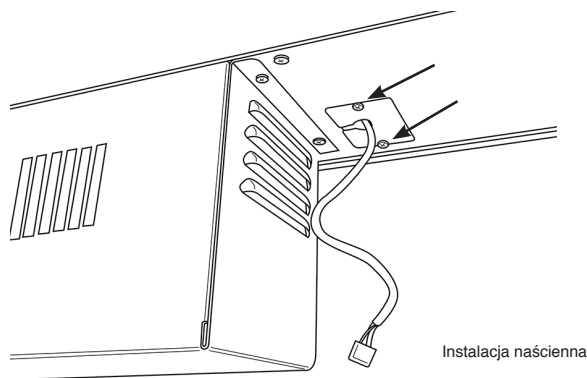
- 3.5 Aby zamontować, wykonać powyższe działania w odwrotnej kolejności.

## Podświetlenie LED

Jeżeli kabel podświetlenia nie jest potrzebny, można go przechowywać z tyłu panelu dostępu na dole urządzenia.

Gdy ozdobna rama jest zdjęta:

- 3.6 Wyjąć 2 śruby mocujące panel dostępu do dolnej strony paleniska, zob. rysunek.



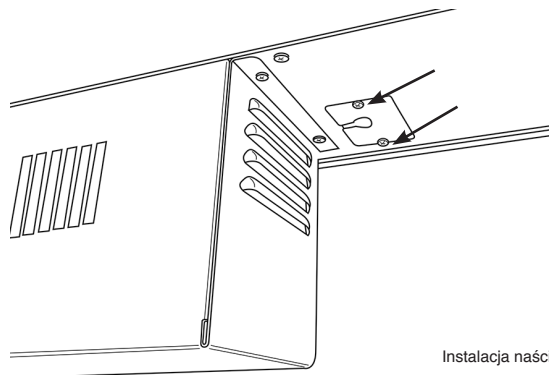
Instalacja naścienna

- 3.7 Umieścić kabel w urządzeniu.



**PRZED PONOWNYM ZAKŁADANIEM PANELU DOSTĘPU NALEŻY UPEWNIĆ SIĘ, ŻE ŻADNE KABLE NIE SĄ UWIĘZIONE.**

- 3.8 Założyć ponownie panel dostępu i przymocować 2 śrubami, zob. rysunek.



Instalacja naścienna

## 4. Konserwacja

- 4.1 **ODŁĄCZYĆ ZASILANIE PRZED ROZPOCZĘCIEM CZYSZCZENIA LUB CZYNNOŚCI KONSERWACYJNYCH.**

### CZYSZCZENIE URZĄDZENIA

- 4.2 Czyszczenie należy rozpocząć po obniżeniu temperatury urządzenia do temperatury otoczenia. Nie stosować środków ściernych.

### CZYSZCZENIE FRONTÓW

- 4.3 Wytrzeć przód wilgotną ścierką i wypolerować przy pomocy szmatki wolnej od kłacek.

**Uwaga: Nie stosować środków ściernych do czyszczenia szyby. Nie nanosić środka czyszczącego bezpośrednio na powierzchnię szyby.**

### CZYSZCZENIE WYLOTÓW POWIETRZA

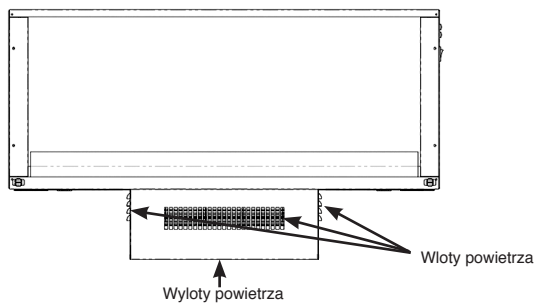
- 4.4 Odłączyć zasilanie urządzenia.
- 4.5 Zdjąć dekoracyjny przód, zob. punkt 3.
- 4.6 Wyjąć i umyć efekt paliwa, aby usunąć wszystkie cząstki pyłu. Alternatywnie można wyczyścić przy pomocy szmatki wolnej od kłacek.  
**Przed ponownym założeniem należy się upewnić, że efekt jest suchy.**

Podczas ponownego zakładania efektu paliwa należy się upewnić, że jest on równomiernie rozłożony wzdłuż paleniska.

Tylko efekt kamienia: Efekt rozmieścić dowolnie w palenisku.

**CZYSZCZENIE WYLOTÓW POWIETRZA**

- 4.7 Odłączyć zasilanie urządzenia.
- 4.8 Czyścić kratki wylotów powietrza miękką ściereczką lub odkurzaczem.



**Zanieczyszczenia mogą ograniczać wydajność wentylatora i spowodować zadziałanie wyłącznika termicznego.**

- 4.9 Zachować czystość powierzchni wokół urządzenia.
- 4.10 Kurz może gromadzić się w szczególności w okolicy elementu grzejnego na górze urządzenia. Regularnie czyścić obszar wokół elementu grzejnego.

**WYMIANA BATERII**

- 4.11 Natychmiast wymienić rozładowaną baterię pilota. Wymienić baterię na nową i utylizować zużyta baterię zgodnie z obowiązującymi przepisami.

# Instrucciones Para El Usuario

## IMPORTANTE

**LA REJILLA DE SALIDA DE CALEFACCIÓN SE CALIENTA MUCHO DURANTE EL FUNCIONAMIENTO. NO CUBRA LA REJILLA DE SALIDA NI NINGUNA PARTE DEL APARATO.**

Para uso con 230V 50Hz únicamente.

Leer las presentes instrucciones antes de la instalación y guardarlas cuidadosamente en lugar seguro.


Serán necesarias en el momento de hacer el mantenimiento

ESTE APARATO REQUIERE TOMA A TIERRA.

## 1. Información Importante Y Salud Y Seguridad



**MANEJAR CON CUIDADO:  
LA SUPERFICIE DE PINTURA DECORATIVA MARCOS  
PUEDE MARCAR AL MANIPULAR.  
SIEMPRE USE LOS GUANTES PROPORCIONÓ  
DURANTE LA INSTALACIÓN.**

- 1.1 **Antes de utilizar el aparato lea atentamente todas las instrucciones.**
- 1.2 **Proceda a reciclar todo el embalaje.**
- 1.3 No coloque este aparato inmediatamente por debajo de una toma de corriente fija.
- 1.4 No utilizar el aparato en las inmediaciones de un cuarto de baño, ducha o piscina o en zonas en las que el aparato puede estar en contacto con agua o humedad.
- 1.5  **¡ADVERTENCIA! NO LO CUBRA**  
No cubrir ni tapar el aparato, deje circular el aire en su entorno. Observe el símbolo de advertencia sobre el aparato (véalo arriba).
- 1.6 **Este aparato está destinado para uso en el interior y no es adecuado para ser utilizado en el exterior.**

- 1.7 Mantenga el enchufe alejado de superficies calientes. No conecte el cable de señal en frente del aparato.
- 1.8 Este aparato debe fijarse firmemente a un hueco en una pared interior plana. Compruebe que no hay muebles, cortinas, etc. a menos de 1 m del aparato.
- 1.9 Una vez instalado el aparato, el enchufe debe quedar accesible.
- 1.10 Si el cable ha de pasar por chimeneas, estar empotrado, etc. Debe asegurarse que éste esté debidamente protegido.
- 1.11 Si el cable eléctrico está dañado no utilice el aparato hasta su reemplazo. Por razones de seguridad el reemplazo ha de ser realizado por Gazco o el servicio técnico de Gazco o un electricista cualificado.
- 1.12 **PRECAUCIÓN:** Con el fin de evitar un riesgo debido a un reajuste inadvertido del interruptor térmico, este aparato no se debe suministrar a través de un dispositivo de conmutación externo, como un temporizador, o conectado a un circuito que el servicio público encienda y apague regularmente.
- 1.13 No utilizar el aparato en el supuesto de estar averiado o dañado.
- 1.14 Las posibles reparaciones deben ser efectuadas siempre por persona debidamente autorizada y cualificada. Si el aparato no funciona, o en caso de cualquier daño, por favor póngase en contacto con el distribuidor donde adquirió el producto.
- 1.15 Este aparato puede ser utilizado por niños mayores de 8 años y personas con capacidades físicas, sensoriales o mentales reducidas o que carezcan de experiencia y conocimientos, siempre que estén vigilados o que se les haya indicado cómo utilizar el aparato de forma segura y que entiendan los riesgos asociados. Los niños menores de 3 años deben mantenerse alejados a menos que sean supervisados continuamente.

Los niños de 3 a 8 años solo deben encender/apagar el aparato siempre que esté colocado o instalado en la posición de funcionamiento normal y que estén vigilados o que se les haya indicado cómo utilizar el aparato de forma segura y que entiendan los riesgos asociados. Los niños de 3 a 8 años no deben enchufar, regular y limpiar el aparato ni realizar las tareas de mantenimiento.

**Sin embargo, Gazco recomienda:**

**Este aparato no está destinado a ser utilizado por personas menores de 12 años, personas con discapacidad física, sensorial o mental o personas sin ninguna experiencia o conocimiento sobre cómo utilizar el aparato de forma segura.** El aparato puede ser utilizado por personas mayores de 12 años siempre que hayan recibido instrucciones acerca de un uso seguro del aparato y que entiendan los peligros que puede conllevar. Las personas mayores de 12 años también pueden utilizar el aparato bajo la supervisión de un adulto responsable.

Este aparato contiene piezas que pueden calentarse durante el uso, por lo que bajo ninguna circunstancia debe permitirse que personas menores de 12 años se queden solas con el producto mientras esté en funcionamiento, a menos que se utilice una pantalla de protección adecuada para protegerles ante cualquier posibilidad de entrar en contacto directo con el aparato.

Los niños no deben jugar con el aparato.

El mantenimiento de limpieza por parte del usuario no debe ser realizado por niños sin la supervisión de un adulto.



## Instrucciones Para El Usuario

### 2. Instrucciones De Uso



**¡ADVERTENCIA!** No ponga el aparato en funcionamiento si se encontrara dañado o si funciona incorrectamente. Si sospechara que el aparato se encuentra dañado o funciona incorrectamente, antes de volver a utilizarlo llame a un técnico de servicio acreditado para que lo inspeccione y sustituya cualquier pieza del sistema eléctrico si fuera necesario.

**NO** desenchufe el aparato del suministro eléctrico mientras se encuentre funcionando. Utilice las funciones del mando a distancia para apagar el calefactor y asegúrese de que el interruptor de aislamiento se haya colocado en la posición de apagado antes de desenchufar.

#### ASPECTOS GENERALES

- 2.1 El aparato puede funcionar con el mando de frecuencia de radio o los controles manuales.



**NOTA:** Para usar tanto las funciones a distancia como las manuales, el interruptor manual de encendido/apagado debe estar en la posición de encendido «ON». Para evitar que el aparato se caliente demasiado, hay un retraso de 10 segundos cuando se enciende el calefactor y otro retraso de 10 segundos cuando se apaga el ventilador.

El botón manual controla las funciones básicas, no una amplia gama de controles. Use el mando a distancia para llevar a cabo todas las funciones.

#### PREPARACIÓN ANTES DE UTILIZARLO

##### Baterías:

- 2.2 Compruebe que la batería del mando sea nueva y se encuentra correctamente insertada.
- 2.3 Deshágase de las baterías viejas en una instalación de reciclaje apropiada.

#### UBICACIÓN DEL INTERRUPTOR DE ALIMENTACIÓN

- 2.4 El interruptor de encendido se encuentra en el panel de control a la derecha del aparato, consulte el diagrama.

##### Montaje en pared

Acceda desde el lado derecho del panel decorativo delantero.

##### Instalación semiempotrada

Quite el panel decorativo delantero. Podrá acceder al interruptor a través del hueco del soporte empotrado.

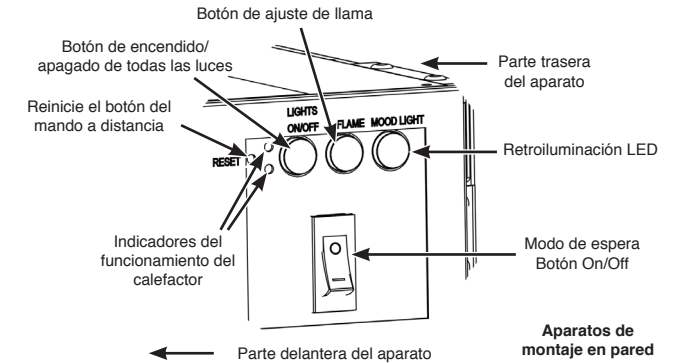
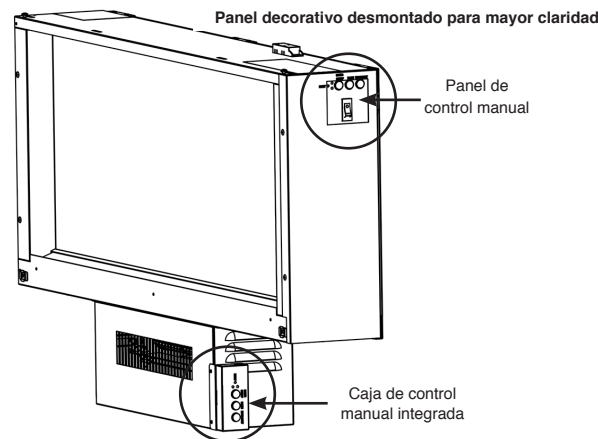
**El aparato debe aislarse de la red eléctrica.**

- 2.5 Encender (—) antes de poner en funcionamiento los controles manuales o el mando a distancia.
- 2.6 Se oirá un sonido que indica que la estufa se encuentra lista para su uso.

### 2a. Panel de control manual

#### Aparatos de montaje en pared

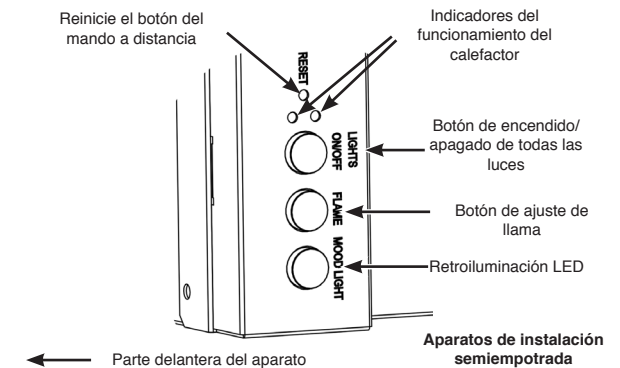
- 2a.1 Los controles manuales se sitúan a la derecha del alojamiento exterior, detrás del panel decorativo delantero, consulte el diagramas.



#### Aparatos de instalación semiempotrada

- 2a.2 No se podrá acceder a los controles manuales por el lateral cuando el aparato se ha instalado semiempotrado.

Este aparato tiene una caja de control adicional instalada a la derecha de la unidad calefactora; consulte el diagramas.



- 2a.3 Se escuchará un fuerte pitido al encender el aparato con el interruptor de encendido en la posición «—».
- 2a.4 Pulse «LUCES ENCENDIDAS/APAGADAS» para encender o apagar tanto la llama como el lecho de combustible al mismo tiempo.

# Instrucciones Para El Usuario

2a.5 Hay 3 colores disponibles de llama.

Pulse el botón de «LLAMA» para seleccionar el color de la llama (3 clases de colores disponibles) o vuelva a la posición de apagado «OFF»

2a.6 Pulse el botón de «RETROILUMINACIÓN LED» para seleccionar el color de la retroiluminación LED (14 colores disponibles) o vuelva a la posición de apagado «OFF».

**Nota: El aparato perderá la memoria de las funciones de luz cuando el interruptor se coloque en la posición de apagado «Off» o el mando a distancia se quede sin pilas.**

### Indicadores del funcionamiento del calefactor (consulte el diagrama)

2a.7 Cuando el ventilador se utilice junto con la llama o los efectos de lecho de combustible, los indicadores del funcionamiento del calefactor se iluminarán durante 10 segundos.

Los LED se iluminarán durante 10 segundos si la llama o el combustible el efecto de cama está encendido.

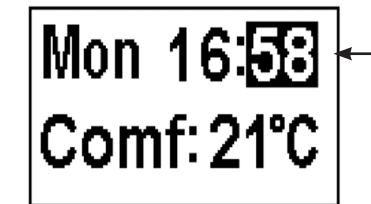
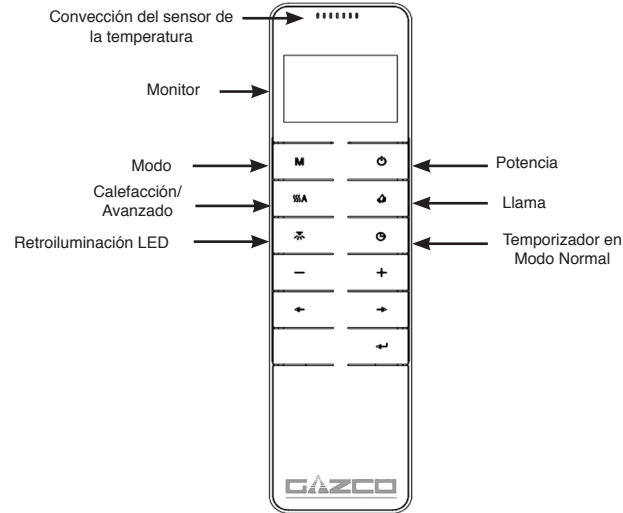
Si el ventilador se utiliza independientemente, los indicadores del funcionamiento del calefactor permanecerán encendidos.

### Reinicie el botón del mando a distancia

2a.8 Si el mando pierde señal o necesita ser reemplazado, consulte la sección de mantenimiento para más detalles.

## 2b. Mandos a distancia

**El mando a distancia debe dejarse en una superficie plana en la habitación donde está instalado el aparato y fuera del alcance de cualquier flujo directo de aire caliente.**



### Código de aviso

2b.1 El mando a distancia funciona por señal de radio. El transmisor manual está configurado de fábrica con un código de aviso único.

**IMPORTANTE: Si el mando pierde señal o necesita ser reemplazado, consulte la sección de mantenimiento para más detalles.**

### Encender/apagar

- 2b.2 Pulse el botón para encender el efecto llama.
- 2b.3 Pulse el botón para apagar todas las funciones bajo el modo de control de calefacción normal, que incluye el efecto llama y el ventilador.
- 2b.4 Pulse el botón para desactivar el efecto llama del modo temporizador diario y semanal de la calefacción.

### Días de la semana/hora/temperatura de confort y configuración de unidad

Al activarse, se recomienda que se reajuste la hora adecuada en el reloj para garantizar la precisión del funcionamiento del aparato.

- 2b.5 Mantenga pulsado el botón **M** durante 3 segundos para ingresar a la pantalla de configuración.
- 2b.6 Pulse el botón '**<**' o '**>**' para elegir la configuración a cambiar.

El carácter seleccionado se iluminará, consulte el diagrama.


## Instrucciones Para El Usuario

- 2b.7 Pulse el botón '+' o '-' para ajustar el número.

Hora: sistema 24 horas.

Seleccione la temperatura de confort a partir de los 15-25°C.

Unidades de temperatura: °C/°F.

- 2b.8 Pulse el botón  durante 3 segundos o espere 10 segundos para guardar y salir de la configuración de la semana, la hora y la temperatura de la calefacción.

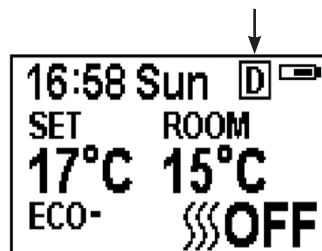
### Temporizador diario de la calefacción


- 2b.9 Los siguientes periodos de calefacción han sido preestablecidos, aunque pueden modificarse si se desea:

06:00 hasta 08:00

17:00 hasta 22:00

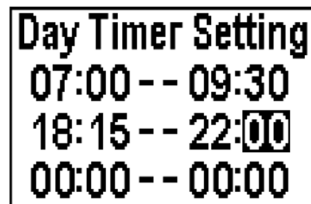
- 2b.10 Mantenga pulsado **M** hasta que **D** aparezca en la esquina superior derecha de la pantalla para introducir el modo temporizador diario de la calefacción.





- 2b.11 Mantenga pulsado el botón  durante 6 segundos para introducir la configuración de la calefacción diaria. Se puede establecer un máximo de 3 periodos de calefacción programados por día.

- 2b.12 Pulse el botón '<' o '>' para elegir la hora o el minuto.

- 2b.13 Pulse el botón '+' o '-' para fijar el número. Cada pulsación añade/resta 15 minutos.



- 2b.14 Mantenga pulsado el botón  durante 3 segundos o espere 10 segundos para guardar y salir de la configuración del periodo de tiempo de calefacción.

- 2b.15 Compruebe la configuración del temporizador. Pulse  para comprobar el modo temporizador diario.

- 2b.16 Si tiene que apagar la calefacción, es necesario que vuelva al modo de control normal.

**Cuando esté en modo temporizador diario, apague el aparato con el mando a distancia. Esto detendrá la potencia luminosa. La potencia térmica continuará según los ajustes del temporizador.**

### Ajuste de la temperatura programada

- 2b.17 Pulse el botón '+' o '-' para aumentar o disminuir la temperatura en función de la temperatura COMF.

COMF significa que la temperatura actual es la misma que la programada.

ECO significa que la temperatura actual es 2 °C menos que la temperatura programada.

ECO- significa 4 °C menos.


COMF+ significa 2 °C más.

COMF++ significa 4 °C más.

### Control adaptable de inicio

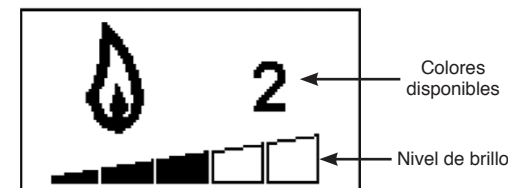
Según la temperatura ambiente y la temperatura establecida, el calefactor determinará automáticamente el momento apropiado para calentar para garantizar que se alcanza la temperatura establecida en el tiempo establecido (hasta 45 minutos antes del tiempo programado).

### Ajuste del color de la llama

- 2b.18 Pulse el botón  para ingresar en la pantalla de ajuste de la llama.

Hay 3 colores disponibles de llama que se indican en el número mostrado en el diagrama.

Hay 6 niveles de brillo, incluido el apagado. Esto se indica en la barra. La barra en blanco indica que está desactivado, consulte el diagrama.



- 2b.19 Pulse el botón '<' o '>' para ir pasando entre los colores disponibles de llama.


- 2b.20 Pulse el botón '+' para aumentar el brillo de la llama.

Pulse el botón '-' para disminuir el brillo de la llama hasta apagarla.

# Instrucciones Para El Usuario

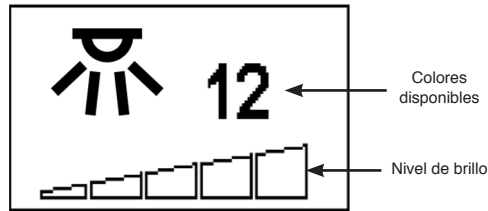
## Ajuste de color de la retroiluminación LED

Si el panel decorativo delantero tiene un LED:

2b.21 Pulse el botón  para ingresar a la pantalla de configuración de la retroiluminación.

Hay 14 colores disponibles que se indican en el número mostrado en el Diagrama.

Hay 6 niveles de brillo, incluido el apagado. Esto se indica en la barra. La barra en blanco indica que está desactivado, consulte el diagrama.



2b.22 Pulse el botón '<' o '>' para ir pasando entre los colores disponibles de la retroiluminación.

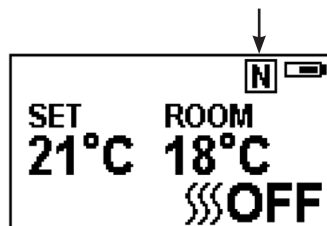
2b.23 Pulse el botón '+' para aumentar el brillo de la retroiluminación.

Pulse el botón '-' para disminuir el brillo de la retroiluminación hasta apagarla.

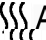


## Modo de control normal

2b.24 El modo de control normal es la configuración predeterminada.

Alternativamente, pulse el botón **M** hasta que aparezca el **N** logotipo en la esquina superior derecha de la pantalla, consulte el diagrama.



2b.25 Pulse el botón '+' o '-' para ajustar la temperatura programada desde 17°C a 25°C.

2b.26 Pulse el botón  para encender o apagar la calefacción. Los botones de  encendido o  apagado se mostrarán en la esquina inferior derecha de la pantalla, consulte el diagrama.




Nota: Es normal que el ventilador deje de funcionar durante unos períodos de tiempo. Esto ocurre si la temperatura ambiente es más alta que la temperatura establecida en el control.

El indicador del calefactor se apagará después de 10 s si la llama se enciende. El indicador del calefactor permanecerá encendido si solo se usa la función de calefacción.

**Cuando esté en modo de control normal, apague el aparato con el mando a distancia. Esto detecta tanto la potencia luminosa como la potencia térmica.**

## Contador regresivo



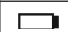
Esta configuración solo está en el modo de control de calefacción normal. Esto permite que el aparato vuelva al modo de espera tras un período de tiempo programado. Para usar esta función, el calefactor debe de estar encendido.

2b.27 Pulse  para ir pasando entre la opción de ajuste de apagado «Off» y de 0,5 horas a 9 horas. El logotipo del temporizador y el tiempo restante aparecerán en la pantalla.

El calefactor del aparato se puede ejecutar automáticamente mediante el uso del temporizador diario y el semanal en el mando a distancia.

## Batería

El nivel de energía de las pilas se indica en la parte superior de la pantalla del mando a distancia, consulte el diagrama.

	Pilas cargadas	No es preciso tomar medidas
	Pilas a media potencia	Asegúrese que haya nuevas pilas disponibles
	Pilas descargadas	Cambie las pilas inmediatamente

Se recomienda cambiar las pilas después de 1 año. El mando a distancia necesita dos pilas alcalinas tipo AAA de 1,5V.

**Cambiar las pilas no afectará la configuración del modo temporizador. Sin embargo, es posible que se necesite ajustar el reloj.**

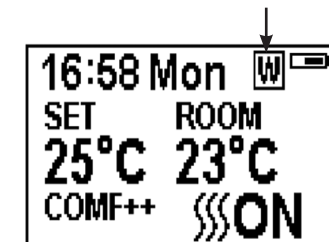
## Temporizador semanal de la calefacción

2b.28 Los siguientes periodos de calefacción han sido preestablecidos, aunque pueden modificarse si se desea:


De lunes a viernes  
06:00 hasta 08:30  
17:00 hasta 22:00

De sábado a domingo  
06:30 hasta 09:30  
11:00 hasta 13:00  
17:00 hasta 22:00


2b.29 Mantenga pulsado **M** hasta que **W** aparezca en la esquina superior derecha de la pantalla para introducir el modo de calefacción semanal.

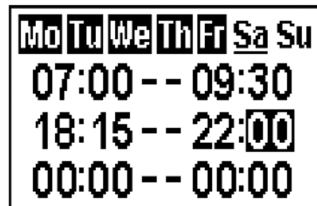


## Instrucciones Para El Usuario

2b.30 Mantenga pulsado el botón  durante 6 segundos para introducir la configuración del modo temporizador semanal de la calefacción.

2b.31 Pulse '←' o '→' para mover el cursor (una línea intermitente).

2b.32 Pulse el botón  en la posición correspondiente de la semana para seleccionar (el carácter está iluminado) o cancelar (el carácter se muestra normalmente) la configuración actual. El mismo período de tiempo se puede seleccionar al mismo tiempo.




2b.33 Pulse el botón '→' para mover el cursor al área de configuración del período de tiempo.


2b.34 Pulse el botón '←' o '→' para elegir la hora o el minuto.


2b.35 Pulse el botón '+' o '-' para fijar el número.

Se puede establecer un máximo de 3 períodos de calefacción programados por día.

Cada pulsación añade/resta 15 minutos.

2b.36 Pulse  para establecer el tiempo de calefacción para el día seleccionado y vuelva a la semana.

2b.37 Pulse el botón  durante 3 segundos o espere 10 segundos para guardar y salir de la configuración de la semana, la hora y la temperatura de la calefacción.

2b.38 Pulse  '←' o '→' para comprobar la configuración temporizador para el modo temporizador semanal de la calefacción.

2b.39 Si tiene que apagar la calefacción, es necesario que vuelva al modo de control normal.

**Cuando esté en modo temporizador diario, apague el aparato con el mando a distancia. Esto detendrá la potencia luminosa. La potencia térmica continuará según los ajustes del temporizador.**

### Ajuste de la temperatura programada

2b.40 Pulse el botón '+' o '-' para aumentar o disminuir la temperatura en función de la temperatura COMF.

COMF significa que la temperatura actual es la misma que la programada.

ECO significa que la temperatura actual es 2 °C menos que la temperatura programada.

ECO- significa 4 °C menos.

COMF+ significa 2 °C más.

COMF++ significa 4 °C más.

### Control adaptable de inicio

Según la temperatura ambiente y la temperatura establecida, el calefactor determinará automáticamente el momento apropiado para calentar para garantizar que se alcanza la temperatura establecida en el tiempo establecido (hasta 45 minutos antes del tiempo programado).

### Modo avanzado

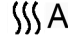

2b.41 El estado de la calefacción puede avanzar hasta el siguiente período tanto en el modo temporizador diario como semanal de la calefacción.

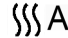


Si el calefactor está encendido en el período actual, al pulsar el botón se apagará el calefactor.

Si el calefactor está apagado en el período actual, al pulsar el botón se encenderá el calefactor.

Si la calefacción actual se enciende o se apaga también depende de la temperatura ambiente y de la temperatura programada.

2b.42 Pulse  para introducir el modo avanzado bajo el modo temporizador diario y semanal de la calefacción  que se mostrará en la esquina superior derecha de la pantalla.

2b.43 Pulse  de nuevo o el período del temporizador expirará y se saldrá del modo avanzado.

### Detección de ventana abierta

2b.44 Cuando el transmisor detecte una rápida disminución de la temperatura ambiente, se considerará como una ventana abierta: se mostrará el icono de advertencia y la calefacción se apagará automáticamente.



2b.45 Después de que la temperatura interior aumente o por intervención manual (al accionar el mando a distancia), volverá al estado de funcionamiento normal.

## Instrucciones Para El Usuario

### 3. Cómo desmontar los paneles decorativos delanteros



**IMPORTANTE: EXTREME LAS PRECAUCIONES. EL PANEL DECORATIVO DELANTERO ES PESADO. LEVÁNTELO CON CUIDADO. DEBERÁ TRABAJAR CON AYUDA DE OTRA PERSONA.**



**ANTES DE DESMONTAR UN PANEL DECORATIVO DELANTERO CON EFECTO LED, AÍSE EL APARATO DE LA RED ELÉCTRICA.**

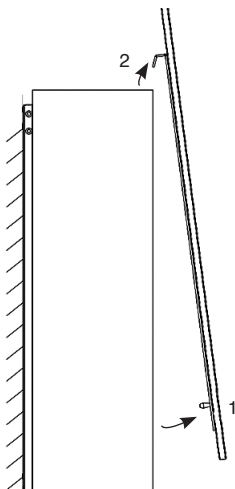
3.1 Si el panel decorativo delantero tiene un LED:

Desconecte el enchufe de luces LED situado detrás del cristal y desconecte los cables.

3.2 Desenrosque los 2 tornillos de las pestañas de la parte superior del aparato.

3.3 Lentamente, tire del borde inferior del panel decorativo delantero hacia adelante para soltar los pasadores inferiores de las ranuras; consulte el diagrama (1).

3.4 Levante el panel decorativo delantero de las ranuras de la parte superior del aparato; consulte el diagrama (2).



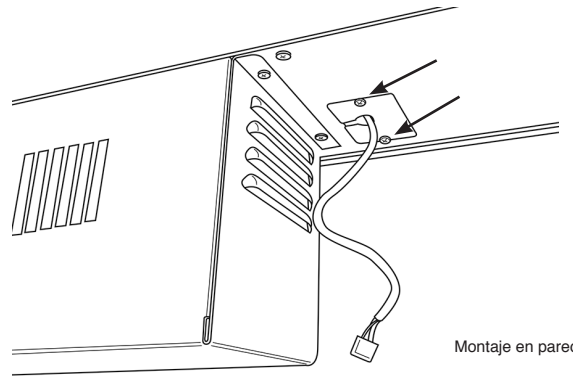
3.5 Seguir el orden inverso para volver a colocar.

### Retroiluminación LED

Si no se necesita el cable de retroiluminación, puede almacenarse detrás del panel de acceso situado en la parte inferior del aparato.

Con el marco decorativo retirado:

3.6 Quite los 2 tornillos que sujetan el panel de acceso a la superficie inferior de la caja de fuego; consulte el diagrama.



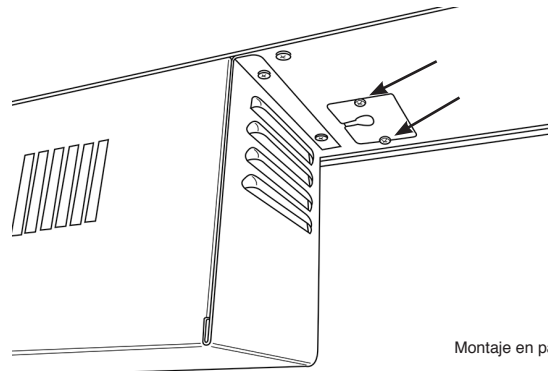
Montaje en pared

3.7 Coloque el cable en el aparato.



**ANTES DE REPONER EL PANEL DE ACCESO, CONFIRME QUE NINGÚN CABLE HA QUEDADO ATRAPADO.**

3.8 Reponga el panel de acceso y asegure con los 2 tornillos; consulte el diagrama.



Montaje en pared

### 4. Mantenimiento

4.1 **ANTES DE INICIAR CUALQUIER TRABAJO DE MANTENIMIENTO PROCÉDASE A DESENCHUFAR EL APARATO.**

#### LIMPIEZA

4.2 Limpie la cubierta exterior solamente cuando esté fría. No utilice limpiadores abrasivos.

#### FRENTES DE LIMPIEZA

4.3 Limpie la parte delantera con un paño húmedo y con un limpiador que no deje pelusa.

**Precaución: No utilice limpiadores abrasivos en el panel de cristal. No rocíe líquidos directamente sobre ninguna superficie de la unidad.**

#### LIMPIEZA DEL EFECTO DE COMBUSTIBLE

4.4 Asegúrese de que el aparato está desenchufado.

4.5 Quite el panel decorativo delantero; consulte la sección 3.

4.6 Quite y lave el efecto de combustible para eliminar las partículas de polvo. También puede limpiar con un limpiador que no suelte pelusa.

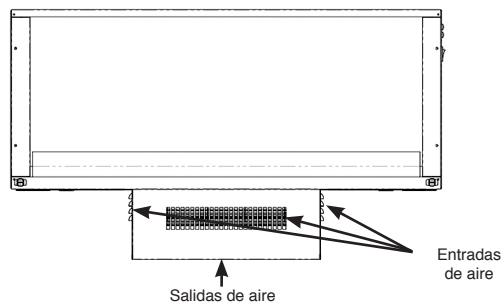
**Antes de volver a colocarlo, compruebe que el efecto está limpio.**

Nota: Al reponer el efecto de combustible, compruebe que está distribuido por igual por todo el lecho de combustible.

Sólo modelos con efecto piedra: Coloque de forma aleatoria el efecto transparente por el lecho de combustible.

## LIMPIEZA DE LAS ENTRADAS DE AIRE

- 4.7 Asegúrese de que el aparato está desenchufado.
- 4.8 Limpie las entradas y salidas de aire de forma regular.



**La acumulación de polvo puede inhibir el desempeño eficiente del ventilador y de llevar a la desconexión de seguridad de funcionamiento.**

- 4.9 Mantenga la zona cercana a la estufa, limpia, sin polvo ni cabellos.
- 4.10 En particular, se puede acumular polvo, etc., por la zona de la calefacción de la parte superior del aparato. Es muy importante mantener la zona de la estufa libre de suciedad que pueda circular por el interior del aparato, pudiendo propiciar averías.

## SUSTITUCIÓN DE LA PILA

- 4.11 Cuando la pila del mando a distancia esté gastada, deberá ser reemplazada de inmediato. Instale el tipo correcto y deshágase de la pila gastada de manera responsable.

## Kullanıcı Talimatları

### ÖNEMLİ

**ISITICI ÇALIŞIRKEN ÇIKIŞ MENFEZİ ÇOK ISINIR.  
ÇIKIŞ MENFEZİNİ VEYA CİHAZIN HERHANGİ BİR YERİNİN  
ÜSTÜNÜ ÖRTMEYİN.**

Sadece 230v 50Hz elektrik akımında kullanıma uygundur.


Kurulumdan önce bu talimatları okuyarak güvenli bir yerde muhafaza ediniz.

Bakım ve onarım işlemleri için talimatlara gerek duyulacaktır.

**BU CİHAZIN TOPRAKLANMASI GEREKİR.**

### 1. Önemli bilgiler ve Sağlık ve Güvenlik

**TUTARKEN DİKKATLİ OLUN:  
DEKORATİF ÇERÇEVELERİN YÜZEYİNDEKİ BOYA  
HASAR GÖREBİLİR.  
KURULUM İÇİN ÜRÜNLE BİRLİKTE SAĞLANAN  
ELDİVENLERİ DAİMA KULLANIN.**

- 1.1 Cihazı kullanmadan önce bütün talimatları dikkatlice okuyun.
- 1.2 Bütün ambalajları çıkararak uygun bir geri dönüşüm tesisine bırakınız.
- 1.3 Cihazı, sabit bir soket çıkışının hemen altına koymayın.
- 1.4 Cihazı küvetin, duşun, yüzme havuzunun hemen yakınında veya cihazın su veya nemle temas edebileceği herhangi bir yerde, örneğin banyoda kullanmayın.
- 1.5  **UYARI! ÜZERİNİ ÖRTMEYİN.**  
Cihaz fazla ısınabileceğinden dolayı üzerini örtmeyin veya hava giriş/çıkışını tıkamayın. Lütfen cihazın üzerindeki uyarı işaretlerine dikkat edin (bkz. yukarıda).
- 1.6 **Yalnızca kapalı mekânlarda kullanılmalıdır.** Cihaz evin dışında kullanıma uygun değildir.
- 1.7 Güç kablosunu sıcak yüzeylerden ve sıcak koşullardan uzak tutun. Elektrik kablosu, cihazın önünden geçirilmemelidir.

- 1.8 Bu cihaz, duvara sağlam bir şekilde sabitlenmeli ve gömülmelidir. Cihazın 1 m'den daha yakınında mobilya, perde vb. bulunmamasını sağlayın.
- 1.9 Isıtma aygıtı yerleştirildiğinde fiş ulaşılabilir bir konumda olmalıdır.
- 1.10 Elektrik besleme kablosunun bir şömine, taş kaplama vb. yerlerin içinden geçmesi gerektiği durumlarda uygun lastik burçların olası aşınma noktalarına takıldığından emin olun.
- 1.11 Elektrik besleme kablosu hasar görmüşse kablo yenisiyle değiştirilene dek cihazı kullanmayın. Güvenlik nedeniyle, değişimin Gazco hizmet sorumlusu veya benzer bir uzman elektrikçi tarafından yapılması gerekir.
- 1.12 **DİKKAT:** Termal kesicinin yanlışlıkla sıfırlanmasından kaynaklanan bir tehlikeyi önlemek için bu cihaz, zamanlayıcı gibi bir harici anahtarlama cihazı ile beslenmemeli veya şebeke tarafından düzenli olarak açılıp kapanan bir devreye bağlanmamalıdır.
- 1.13 Hasar görmüş ise cihazı çalıştırmayın.
- 1.14 Elektrikli cihazların onarımı sadece bir elektrik mühendisi tarafından yapılmalıdır. Eğer cihaz çalışmazsa veya herhangi bir şekilde hasar görmüşse cihazı satın aldığınız satıcı ile iletişime geçin.
- 1.15 Bu cihaz 8 yaşından büyük çocukların yanı sıra fiziksel, duyuusal veya zihinsel engelli kişiler ve tecrübe ve bilgi sahibi olmayan kişiler tarafından yalnızca cihazın emniyetli şekilde kullanımına ilişkin gözetim ve talimatlar sağlanmışsa ve muhtemel tehlikeler anlaşılmissa kullanılabilir. Sürekli gözetim altında olmadıkları sürece, 3 yaşın altındaki çocuklar uzak tutulmalıdır.  
  
3 ila 8 yaş aralığındaki çocuklar, cihazın amaçlanan normal çalışma pozisyonuna getirilmesi veya kurulması ve cihazın güvenli bir şekilde kullanılmasıyla ilgili olarak gözetim veya talimat verilmesi ve ilgili tehlikelerin anlaşılması şartıyla cihazı açıp kapatmalıdır. 3 ila 8 yaş aralığındaki çocuklar, cihazın fişini takmamalı çalıştırmamalı ve temizlemeli veya bakımını gerçekleştirmemelidir.

**Gazco şunları tavsiye etmektedir:**

**Bu cihaz 12 yaş altındakiler; fiziksel, duyuusal veya zihinsel yetenekleri zayıflamış kişiler veya cihazın güvenli bir şekilde çalıştırılması konusunda yeterli bilgisi ve tecrübesi olmayan kişilerce kullanılmalıdır.**

Cihaz 12 yaşın üstündeki kişilerce kullanılabilir fakat bu kişiler cihazın nasıl güvenli şekilde kullanılacağı öğretilmeli ve ortaya çıkabilecek olası tehlikeleri kavramaları sağlanmalıdır. 12 yaşın üstündekiler, cihazı sorumlu bir yetişkinin gözetimi altında da kullanabilirler.

Bu cihazın parçaları çalışma esnasında ısınır ve 12 yaşın altındakiler onları cihazla doğrudan temasa geçme ihtimaline karşı koruyacak uygun bir ocak siperi yoksa asla cihaz çalışırken ürüne yalnız başına bırakılmamalıdır.

Çocuklar cihazla oynamamalıdır.

Gözetimsiz olarak çocuklar temizlik ve kullanıcı bakımı yapılmamalıdır.



## Kullanıcı Talimatları

### 2. Çalıştırma Talimatları

**UYARI!** Hasar görmüş veya arızalı ise cihazı çalıştırmayınız. Cihazın hasar gördüğünden veya arızalandığından şüpheleniyorsanız vasıflı bir servis mühendisi çağırarak cihazı tekrar kullanmadan önce gerekirse elektrik sisteminin herhangi bir parçasını yenisiyle değiştirin.

Cihaz çalışırken şebekeyle bağlantısını kesmeyin. Isıtma aygıtını kapatmak için uzaktan kumandadaki fonksiyonları kullanın ve şebeke bağlantısını kesmeden önce yalıtım anahtarının kapalı konuma getirildiğinden emin olun.

#### GENEL

- 2.1 Cihaz radyo frekansı terminali veya izleme penceresinin sağ tarafında bulunan manüel kumanda düğmeleri ile çalıştırılabilir.

**NOT:** Hem uzaktan kumanda hem de manüel kumandanın işlevleri kullanmak için manüel kumanda açma/kapatma düğmesi 'ON' (Açık) konumunda olmalıdır. Ürünün aşırı ısınmasını önlemek için, ısıtıcıyı açtığınızda ve ısıtıcı fanını kapattığınızda 10'ar saniyelik bir gecikme yaşanır.

Manüel kumanda düğmeleri tüm işlevleri değil, sadece temel işlevleri kontrol eder. Tüm işlevleri gerçekleştirmek için uzaktan kumanda terminalini kullanın.

#### KULLANIM ÖNCESİ YAPILACAK HAZIRLIKLAR

##### Piller:

- 2.2 El aygıtı pillerinin yeni olduğundan ve doğru takıldığından emin olun.
- 2.3 Eski pilleri uygun bir geri dönüşüm tesisine atın.

#### ŞEBEKE GÜÇ ANAHTARININ YERİ

- 2.4 Ana güç şalteri, cihazın sağındaki kontrol panosu üzerinde bulunuyor, bk. Şekil 1.

##### Duvara Monte

Dekoratif çerçevenin sağ tarafından erişim.

#### Yarı Gömülü Kurulum

Dekoratif çerçeveyi ayırın. Şaltlere şimdi gömme braketindeki delikten erişilebilir.

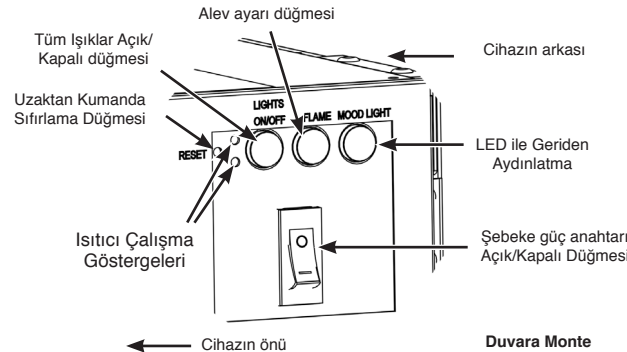
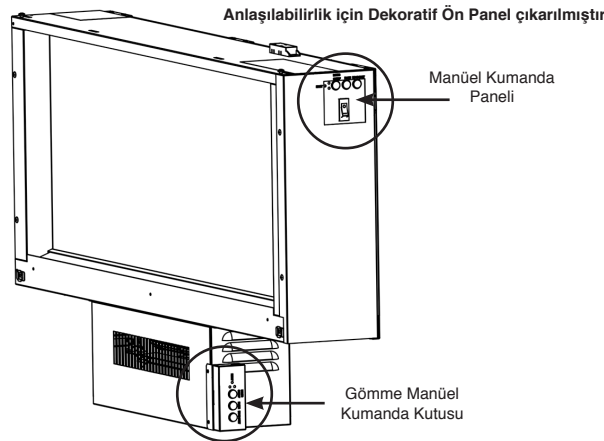
**Cihaz, elektrik şebekesinden tamamen ayrılmalıdır.**

- 2.5 Uzaktan kumanda veya manüel kumandaları çalıştırmadan önce AÇIK (—) düğmesine basın.
- 2.6 Ateşin kullanıma hazır olduğunu gösteren bir bip sesi duyulur.

### 2a. Manüel Kumanda Paneli

#### Duvara Monte

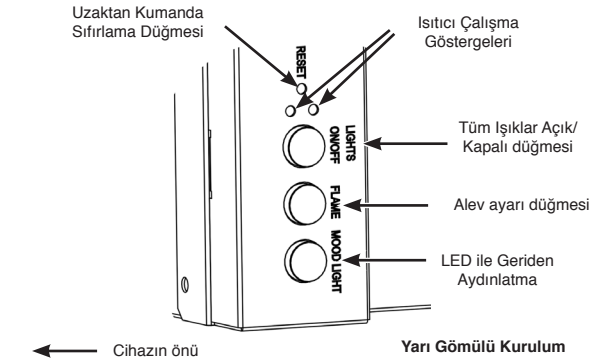
- 2a.1 Manuel kumanda, dekoratif çerçevenin arkasında bulunan dış çerçevenin sağ tarafında bulunmaktadır, bk. Şekil.



#### Yarı Gömülü Kurulum

- 2a.2 Cihaz gömülü şekilde kurulduğu zaman, cihazın yanında bulunan kontrollere erişim sağlanamaz.

Bu cihazın ısıtıcı ünitesinin sağ tarafında bir adet ilave kontrol kutusu bulunmaktadır, bk. Şekil.



- 2a.3 Cihaz, ana güç şalteri '—' konumundayken açılır. Uzun bip sesi duyulacaktır.
- 2a.4 Hem alevi hem de yakıt yatağını açmak veya kapatmak için "LIGHTS ON/OFF" (IŞIKLAR AÇIK/KAPALI) düğmesine aynı anda basın.
- 2a.5 Alev rengi seçeneği bulunmaktadır.
- Alev rengini seçmek için "FLAME" (ALEV) düğmesine basın (3 çeşit alev rengi) veya OFF (KAPALI) konumuna geri getirin.
- 2a.6 LED arka ışığının rengini (14 renk seçeneği) seçmek için "LED BACKLIGHT" (LED ARKA IŞIĞI) düğmesine basın veya OFF (KAPALI) konumuna geri getirin.

**Not: Düğme Off (Kapalı) Konuma getirildiğinde ve uzaktan kumanda çalışmadığında cihaz ışık fonksiyonları için hafızasını kaybedecektir.**

## Kullanıcı Talimatları

### Isıtıcı Çalışma Göstergeleri (bkz. Şekil)

2a.7 Fan ısıtıcısı alev veya yakıt yatağı ile bağlantılı olarak kullanıldığında, ısıtıcı çalışma göstergeleri 10 saniye boyunca yanar.

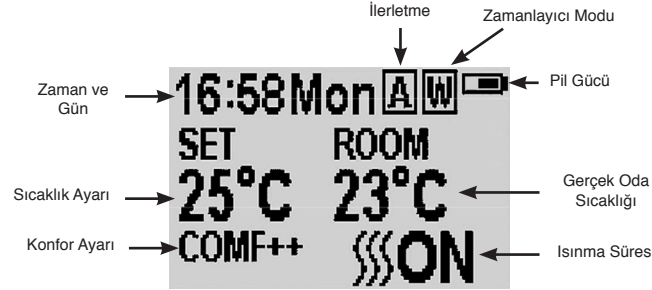
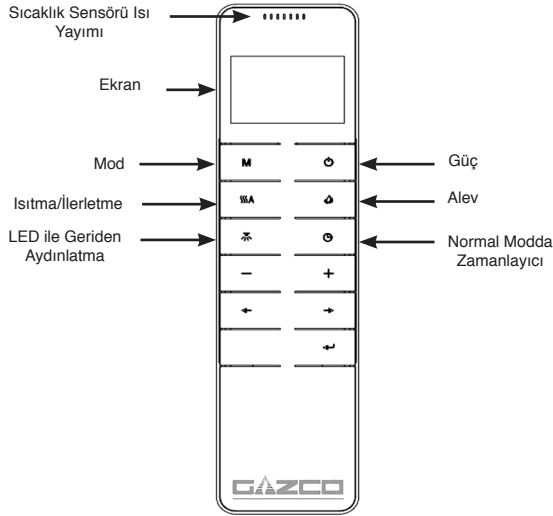
Alev veya yakıt yatağı etkisi Açık ise LED'ler 10 saniye boyunca yanar.  
Fan ısıtıcısı bağımsız olarak kullanılırsa, ısıtıcı çalışma göstergeleri açık kalacaktır.

### Uzaktan Kumanda Sıfırlama Düğmesi

2a.8 El terminali sinyal kaybederse veya değiştirilmesi gerekirse, ayrıntılar için Servis Bölümü'nde ye bakın.

## 2b. Uzaktan Kumanda

Uzaktan kumanda, cihazın kurulduğu odadaki düz bir zemin üzerine yerleştirilmelidir ve herhangi bir doğrudan sıcak hava akımından uzak tutulmalıdır.



### Sinyal Kodu

2b.1 Uzaktan kumanda radyo sinyali ile çalışır. El tipi transmitter eşsiz bir sinyal koduyla fabrikada yapılandırılmıştır.

**ÖNEMLİ: El terminali sinyal kaybederse veya değiştirilmesi gerekirse, ayrıntılar için Servis Bölümü'nde ye bakın.**

### Açmak/kapatmak

2b.2 Alev efektini açmak için düğmesine basın.

2b.3 Normal ısıtma kontrolü modunda alev efekti ve fan ısıtıcısı da dahil olmak üzere tüm işlevleri kapatmak için düğmesine basın.

2b.4 Günlük ve haftalık zamanlayıcı ısıtma modunda alevi efektini kapatmak için düğmesine basın.

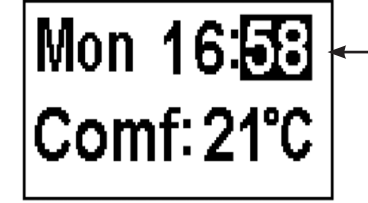
### Haftanın Günleri / Zaman / Konfor Sıcaklığı ve Birim Ayarı

Aktive ederken, cihazın doğru şekilde çalışmasını sağlamak için saatin doğru zamana sıfırlanması tavsiye edilir.

2b.5 Ayar ekranına girmek için 3 saniye boyunca **M** düğmesine basılı tutun.

2b.6 Değiştirilecek ayarı seçmek için '←' veya '→' düğmesine basın.

Seçilen karakter vurgulanır, bkz. Şekil.



2b.7 Sayıyı ayarlamak için '+' veya '-' düğmesine basın.

Zaman: 24 saat sistemi.  
15-25 °C arasında Konfor sıcaklığını seçin.  
Sıcaklık birimi: °C/°F.

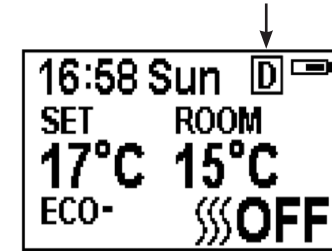
2b.8 Hafta, zaman ve ısıtma sıcaklığı ayarını kaydetmek ve çıkmak için 3 saniye boyunca düğmesine basın veya 10 saniye bekleyin.

### Günlük Zamanlayıcı Isıtması




2b.9 Aşağıdaki ısıtma süreleri önceden ayarlanmıştır ve istenirse değiştirilebilir:

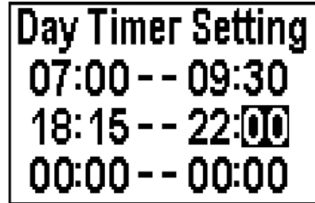
06:00 ila 08:00 arası  
17:00 ila 22:00 arası



2b.10 Günlük zamanlayıcı ısıtma moduna girmek için ekranın sağ üst köşesinde **M** görünene kadar **D** düğmesine basın.



## Kullanıcı Talimatları

- 2b.11 Günlük ısıtma ayarını girmek için 6 saniye boyunca  düğmesine basılı tutun. Günde en fazla 3 zaman ayarlı ısıtma süresi ayarlanabilir.
- 2b.12 Saat veya dakikayı seçmek için '' veya '' düğmesine basın.
- 2b.13 Sayıyı ayarlamak için '+' veya '-' düğmesine basın. Her basışta 15 dakika artar/azalır.



- 2b.14 Isıtma süresini ayarlamak ve çıkmak için 3 saniye boyunca  düğmesine basın veya 10 saniye bekleyin.
- 2b.15 Zamanlayıcı ayarını kontrol edin. Günlük zamanlayıcı modunu kontrol etmek için  düğmesine basın.
- 2b.16 Isıtmanın kapatılması gerekiyorsa, bunun için Normal Kontrol Moduna geri dönülerek kapatılması gerekir.

**Günlük Zamanlayıcı Modundayken cihaz uzaktan kumanda ile kapatıldığında ışık çıkışı durdurulacaktır. Isı çıkışı, zamanlayıcı ayarlarına göre devam edecektir.**

### Sabit Sıcaklığı Ayarlamak

- 2b.17 COMF (Konfor) sıcaklığına göre sıcaklığı arttırmak veya azaltmak için '+' veya '-' düğmesine basın.

COMF (Konfor), gerçek sıcaklığın ayarlanan sıcaklık ile aynı olduğu anlamına gelir.

ECO (Ekonomi), gerçek sıcaklığın ayarlanan sıcaklıktan 2 °C daha düşük olduğu anlamına gelir.

Ayarlanan sıcaklığa göre ECO- 4 °C daha düşüktür.


COMF+ 2 °C daha yüksektir.

COMF++, 4 °C daha yüksektir.

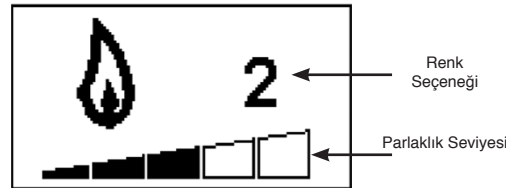
### Uyarlanabilir başlatma kontrolü



Oda sıcaklığına ve ayarlanan sıcaklığa göre ısıtıcı, ayarlanan süre içerisinde istenen sıcaklığa ulaşılmasını sağlamak için uygun ısıtma uygun zamanı otomatik olarak belirleyecektir (ayarlanan zamandan 45 dakika öncesine kadar).

### Alev Rengi Ayarı

- 2b.18 Alev ayarlama ekranını girmek için  düğmesine basın. Şekil 9'de sayı ile gösterilen gösterilen 3 alev rengi seçeneği vardır.

Kapalı seçeneği de dahil olmak üzere 6 parlaklık seviyesi vardır. Bu, çubuk şekliyle gösterilir ve boş çubuk Kapalı olduğunu belirtir, bkz. Şekil.




- 2b.19 Alev rengi seçeneklerini değiştirmek için '' veya '' düğmesine basın.

- 2b.20 Alev parlaklığını arttırmak için '+' düğmesine basın.

Alev parlaklığını kapatılana kadar azaltmak için '-' düğmesine basın.

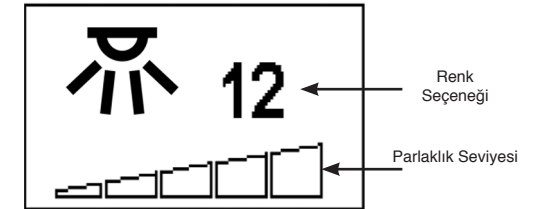
### LED Arka Işığı Renk Ayarı

Dekoratif çerçevenin LED ile çalışan bir özelliği bulunmaktadır:

- 2b.21 Arka ışık ayarlama ekranına girmek için  düğmesine basın.

Şekil 9'da sayı ile gösterilen gösterilen 14 renk seçeneği vardır.

Kapalı seçeneği de dahil olmak üzere 6 parlaklık seviyesi vardır. Bu, çubuk şekliyle gösterilir ve boş çubuk Kapalı olduğunu belirtir, bkz. Şekil.



- 2b.22 Arka ışık renk seçeneklerini değiştirmek için '' veya '' düğmesine basın.

- 2b.23 Arka ışık parlaklığını arttırmak için '+' düğmesine basın.

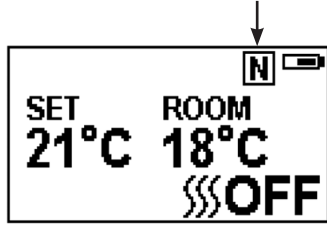
Arka ışık parlaklığını kapatılana kadar azaltmak için '-' düğmesine basın.

## Kullanıcı Talimatları

### Normal Kontrol Modu

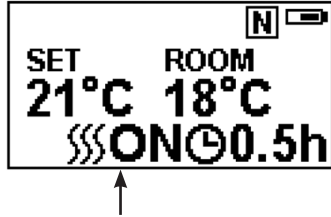
2b.24 Normal Kontrol Modu varsayılan ayardır.

Alternatif olarak, ekranın sağ üst köşesinde **M** logosu görünene kadar **N** düğmesine basın, bkz. Şekil.



2b.25 Ayar sıcaklığını 17 °C'den 25 °C'ye değiştirmek için '+' veya '-' düğmesine basın.

2b.26 Isıyı açmak/kapatmak için **ON** (AÇIK) veya **OFF** (KAPALI) görünecektir, bkz. Şekil.



Not: Fan ısıtıcısının belirli sürelerle çalışmayı durdurması normaldir. Oda sıcaklığı, kumandada ayarlanan sıcaklıktan yüksekse durur.

Alev ON (AÇIK) konuma getirildiğinde, ısıtıcı göstergesi 10 saniye sonra kapatılacaktır. Isıtıcı göstergesi sadece ısıtma işlevi kullanıldığı zaman ON (AÇIK) kalır.

**Normal Kontrol Modundayken cihaz uzaktan kumanda ile kapatıldığında ışık ve ısı çıkışı durdurulacaktır.**

### Geri Sayım Saati

Bu ayar sadece normal ısıtma kontrol modunda çalışır. Belirli bir süre sonra cihazın Bekleme moduna geri dönmeye izin verir. Bu işlevi kullanmak için ısıtıcı açık olmalıdır.

2b.27 Bu ayarı Off (Kapalı) ve 0,5 saat ile 9 saat arasında değiştirmek için **ON** düğmesine basın. Zamanlayıcı logosu ve kalan süre ekranda görünecektir.

Cihazın ısıtıcısı, uzaktan kumanda üzerinde günlük zamanlayıcıyı ve haftalık zamanlayıcıyı kullanarak otomatik olarak çalıştırılabilir.

### Pil

Pil gücü seviyesi uzaktan kumanda ekranının sağ üst köşesinde gösterilir, bkz. Şekil.

	Pil Dolu	İşlem yapılması gerekmez
	Pil Gücü Yarım	Yeni pillerin kullanılabilir olduğundan emin olun
	Pil Boş	Hemen pilleri değiştirin

1 yıldan sonra pillerin değiştirilmesi önerilir. Uzaktan kumanda iki 1,5V alkalin AAA pil ile çalışır.

**Pillerin değiştirilmesi Zamanlayıcı Modu ayarlarını etkilemez, ancak saatin ayarlanması gerekebilir.**

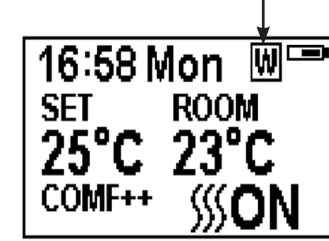
### Hafta Zamanlayıcı Isıtması

2b.28 Aşağıdaki ısıtma süreleri önceden ayarlanmıştır ve istenirse değiştirilebilir:

Pazartesi - Cuma  
06:00 ila 08:30 arası  
17:00 ila 22:00 arası

Cumartesi - Pazar  
06:30 ila 09:30 arası  
11:00 ila 13:00 arası  
17:00 ila 22:00 arası

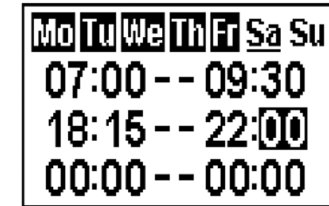
2b.29 Haftalık ısıtma moduna girmek için ekranın sağ üst köşesinde **M** görünene kadar **M** düğmesine basın.



2b.30 Haftalık ısıtma modu ayarını girmek için 6 saniye boyunca **M** düğmesine basılı tutun.

2b.31 İmleci (yanıp sönen alt çizgiyi) hareket ettirmek için '**←**' veya '**→**' düğmesine basın.

2b.32 Geçerli ayarı seçmek (karakter vurgulanır) veya iptal etmek için (karakter normal görünür) ilgili hafta konumundaki **M** düğmesine basın, aynı zaman aralığı birlikte seçilebilir.



2b.33 İmleci zaman dilimi ayar alanına getirmek için '**→**' düğmesine basın.

2b.34 Saat veya dakikayı seçmek için '**←**' veya '**→**' düğmesine basın.

2b.35 Sayıyı ayarlamak için '+' veya '-' düğmesine basın.

Günde en fazla 3 zaman ayarlı ısıtma süresi ayarlanabilir.

Her basışta 15 dakika artar/azalır.

- 2b.36 Seçilen günün ısıtma süresini ayarlamak ve hafta satırına dönmek için **←** düğmesine basın.
- 2b.37 Isıtma süresini ayarlamak ve çıkmak için 3 saniye boyunca **←** düğmesine basın veya 10 saniye bekleyin.
- 2b.38 Hafta zamanlayıcısı ısıtma modunun zamanlayıcı ayarını kontrol etmek için **←** '←' veya '→' düğmesine basın.
- 2b.39 Isıtmanın kapatılması gerekiyorsa, bunun için Normal Kontrol Moduna geri dönülerek kapatılması gerekir.

**Hafta Zamanlayıcı Modundayken cihaz uzaktan kumanda ile kapatıldığında ışık çıkışı durdurulacaktır. Isı çıkışı, zamanlayıcı ayarlarına göre devam edecektir.**

### Sabit Sıcaklığı Ayarlamak

- 2b.40 COMF (Konfor) sıcaklığına göre sıcaklığı arttırmak veya azaltmak için '+' veya '-' düğmesine basın.

COMF (Konfor), gerçek sıcaklığın ayarlanan sıcaklık ile aynı olduğu anlamına gelir.

ECO (Ekonomi), gerçek sıcaklığın ayarlanan sıcaklıktan 2 °C daha düşük olduğu anlamına gelir.

Ayarlanan sıcaklığa göre ECO- 4 °C daha düşüktür.

COMF+ 2 °C daha yüksektir.

COMF++, 4 °C daha yüksektir.

### Uyarlanabilir başlatma kontrolü

Oda sıcaklığına ve ayarlanan sıcaklığa göre ısıtıcı, ayarlanan süre içerisinde istenen sıcaklığa ulaşılmasını sağlamak için uygun ısıtma uygun zamanı otomatik olarak belirleyecektir (ayarlanan zamandan 45 dakika öncesine kadar).

### Advance (İlerletme) modu

- 2b.41 Isıtma durumu, günlük ve haftalık zamanlayıcı ısıtma modunda bir sonraki döneme kadar ilerletilebilir.



Geçerli aralıkta ısıtıcı açıksa, düğmesine basıldığında ısıtıcı kapatılır.

Geçerli aralıkta ısıtıcı kapalıysa, düğmesine basıldığında ısıtıcı açılır.

Gerçek ısıtmanın açık/kapalı durumu ayrıca oda sıcaklığına ve ayarlanan sıcaklığa bağlıdır.

- 2b.42 Günlük ve haftalık zamanlayıcı ısıtma modu altındaki Advance (İlerletme) moduna girmek için **[[[A** düğmesine basın, ekranın sağ üst köşesinde **A** görünür.

- 2b.43 **[[[A** düğmesine tekrar basın, aksi halde zamanlayıcı aralık sonu Advance (İlerletme) modundan çıkacaktır.

### Açık pencere algılaması

- 2b.44 Transmitter oda sıcaklığında hızlı bir düşüş algıladığında, açık bir pencere olduğu değerlendirilir: uyarı simgesi görüntülenir ve ısıtma otomatik olarak kapatılır.



## Kullanıcı Talimatları

### 3. Dekoratif Çerçeveleri Ayırma

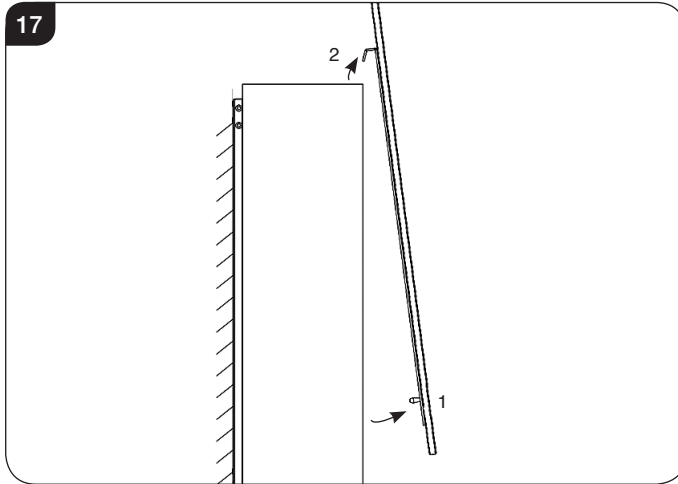


**ÖNEMLİ: TUTARKEN DİKKATLİ OLUN. BU DEKORATİF ÇERÇEVE AĞIRDIR. KALDIRIRKEN DİKKATLİ OLUN. TUTMAK İÇİN 2 KİŞİ GEREKLİDİR.**



**LED EFEKTLİ DEKORATİF ÇERÇEVEYİ CİHAZDAN AYIRMADAN ÖNCE CİHAZI ELEKTRİK ŞEBEKESİNDEN TAMAMEN AYIRIN.**

- 3.1 Dekoratif çerçevenin LED ile çalışan bir özelliği bulunmaktadır.  
Camın arkasındaki LED aydınlatma fişini ve kabloları sökün.
- 3.2 Cihazın üst tarafında bulunan 2 vidayı sökün.
- 3.3 Dekoratif çerçevenin alt kenarını dikkatlice öne doğru çekerek alt pimleri yuvalarından çıkarın, bk. Şekil (1).
- 3.4 Dekoratif çerçeveyi kaldırarak cihazın üst kısmındaki yuvalardan ayırın, bk. Şekil (2).



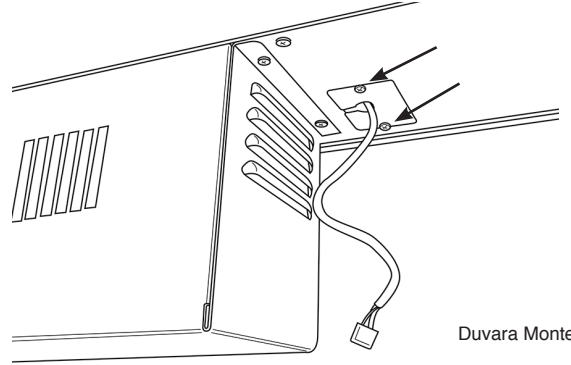
- 3.5 Yeniden monte etmek için aynı adımları ters yönde izleyin.

### LED ile Geriden Aydınlatma

Geriden aydınlatma kablosu gerekmiyorsa cihazın altındaki erişim panosunun arkasına saklanabilir.

Dekoratif çerçeveyi ayırdıktan sonra:

- 3.6 Erişim panosunu ateşleme kutusunun altına sabitleyen 2 vidayı sökün, bk. Şekil.

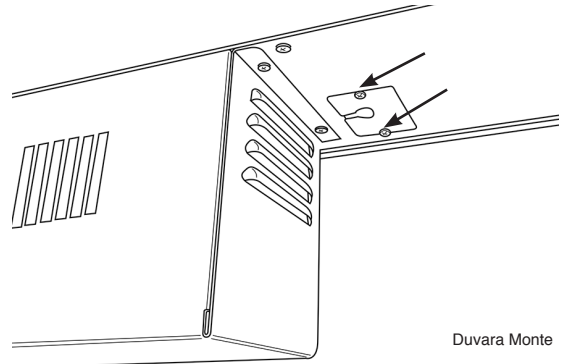


- 3.7 Kabloyu cihaza yerleştirin.



**ERİŞİM PANOSUNU DEĞİŞTİRMEDE ÖNCE HİÇBİR KABLONUN SIKIŞMADIĞINDAN LÜTFEN EMİN OLUN.**

- 3.8 Erişim panosunu değiştirin ve 2 vida ile sabitleyin, bk. Şekil.



### 4. Bakım

- 4.1 **TEMİZLİKTEN VEYA HERHANGİ BİR BAKIM İŞLEMİNDEN ÖNCE CİHAZIN ŞEBEKEYLE BAĞLANTISINI KESİN.**

#### GENEL TEMİZLİK

- 4.2 Dış muhafaza sadece soğukken temizlenmelidir. Aşındırıcı temizlik maddeleri kullanmayın.

#### ÖN CEPHENİN TEMİZLİĞİ

- 4.3 Nemli bir bezle silin ve tüysüz bir toz toplayıcıyla temizleyin.

**Dikkat: Cam panel üzerinde aşındırıcı temizlik malzemesi kullanmayın. Ünitenin hiç bir yüzeyine doğrudan sıvı püskürtmeyin.**

#### YAKIT EFEKTİNİN TEMİZLENMESİ

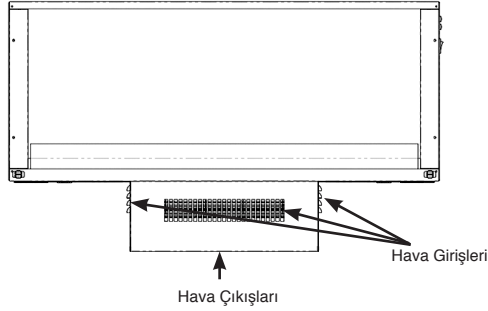
- 4.4 Cihazın fişinin çekilmiş olduğundan emin olun.
- 4.5 Dekoratif çerçeveyi sökün (Bölüm 3'ye bakın).
- 4.6 Yakıt efektini tozdan arındırmak için çıkarın ve yıkayın. Alternatif olarak temiz bir toz bezi ile de temizleyebilirsiniz. **Yerleştirmeden önce efektin temiz olduğundan emin olun.**

Yakıt efektini yerleştirirken yakıt yatağına eşit olarak yayıldığından emin olun.

Sadece Taş Efektli: Şeffaf efektli yakıt yatağına rastgele aralıklarla yayın.

**HAVA GİRİŞLERİNİN TEMİZLİĞİ**

- 4.7 Cihazın fişinin çekilmiş olduğundan emin olun.
- 4.8 Hava giriş ve çıkış menfezlerini düzenli olarak yumuşak bir bezle veya elektrikli süpürge ağzıyla temizleyin.



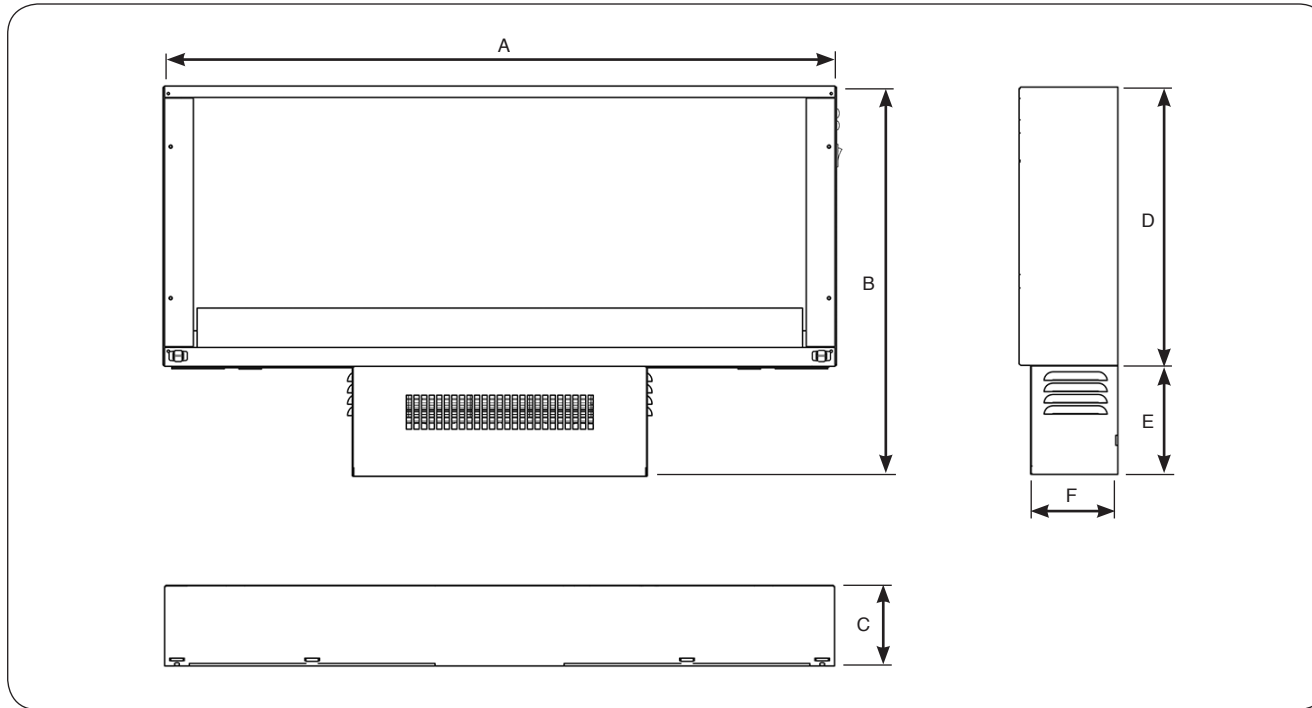
**Toz birikmesi fanın etkin bir biçimde çalışmasını engelleyebilir ve emniyet şalterinin devreye girmesine neden olabilir.**

- 4.9 Cihazın etrafındaki alanı temiz tutun ve ince tüy, toz ve hayvan tüyünden/kılından arındırın.
- 4.10 Tozlar vb. özellikle de cihazın alt tarafında ısıtıcının olduğu bölgenin etrafında birikebilir. Bu gibi taneciklerin birikmesini engellemek için bu alanı söz konusu taneciklerden arındırmaya özellikle dikkat edin.

**PİLİN DEĞİŞTİRİLMESİ**

- 4.11 Kumanda pilleri zayıfladığında hemen değiştirilmelidir. Yeni pilleri doğru şekilde yerleştirin ve eskilerini dikkatlice bertaraf edin.

Radiance 50W	Radiance 80W	Radiance 100W	Radiance 150W	Radiance 190W
219-138EU	219-102EU	219-115EU	219-121EU	219-132EU



- EN:** A 230V 13 Amp 50Hz supply is required  
Maximum power consumption:
- FR:** Une alimentation électrique de 230V, 13A, 50Hz est requise.  
La consommation électrique maximale:
- NL:** Een 230V, 13A, 50 Hz voeding is vereist.  
Maximaal energieverbruik:
- IT:** È necessaria un'alimentazione da 230V 13 ampere, 50Hz  
Consumo di corrente massimo:
- NO:** Det kreves 230V 13A 50Hz strømtilførsel  
Maksimum strømforbruk:
- PL:** Wymagane jest zasilanie 230v 13amp 50Hz.  
Maksymalny pobór mocy to:
- ES:** Se requieren 230V 13 Amp y 50Hz  
Máximo consumo:
- TR:** 230v 13amp 50Hz'lik güç kaynağı gereklidir.  
Maksimum elektrik gücü tüketimi:

Radiance 50W	2000 Watts
Radiance 80W	2000 Watts
Radiance 100W	2000 Watts
Radiance 150W	2000 Watts
Radiance 190W	2000 Watts

- EN:** A 1.8 metre lead with plug containing a BS1362 13A fuse is supplied.  
Only use a BS1362 13A fuse with this appliance.  
2 x Remote control handset battery (AAA)
- FR:** L'appareil est fourni avec un câble électrique de 1,80 m de long équipé d'une prise de courant.  
2 x Pile de la commande à distance (AAA).
- NL:** Er wordt een kabel van 1.8 meter met een stekker  
2 x Batterij afstandsbediening (AAA).
- IT:** Viene fornito un cavo di 1,8 m con una spina.  
2 x Batteria del telecomando (AAA)
- NO:** En 1,8 m lang ledning med støpsel.  
2 x Batteri til fjernkontrol (AAA).
- PL:** Dołączono przewód o dł. 1,8 m z zainstalowanym bezpiecznikiem.  
2 x Bateria do pilota (AAA).
- ES:** Se suministra un cable de 1,8 metros con enchufe.  
2 x Batería (AAA)
- TR:** Sigorta içeren 1.8 metre fişli priz ile birlikte gelir.  
2 x Uzaktan kumanda el aygıtı pilleri (AAA).

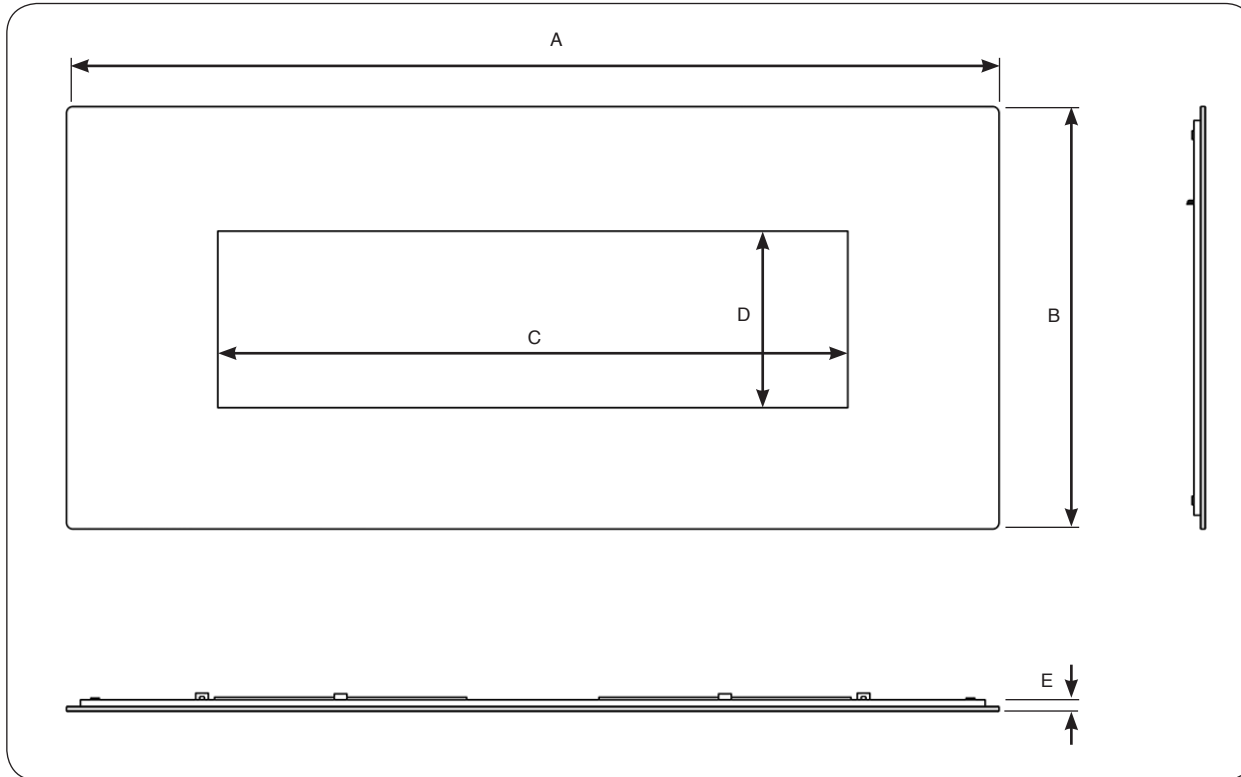
Model	A	B	C	D	E	F
<b>Radiance 50W</b>	590	515	136	370	145	120
<b>Radiance 80W</b>	890	515	136	370	145	120
<b>Radiance 100W</b>	1090	515	136	370	145	120
<b>Radiance 150W</b>	1590	515	136	370	145	120
<b>Radiance 190W</b>	1990	515	136	370	145	120



**EN:** THIS APPLIANCE MUST BE EARTHED  
**FR:** CET APPAREIL DOIT ÊTRE RELIÉ À LA TERRE  
**NL:** DIT APPARAAT MOET WORDEN GEAARD  
**IT:** QUESTO APPARECCHIO DEVE ESSERE PROVISTO DI MESSA A TERRA  
**NO:** DENNE PEISEN MÅ TILKOBLES JORD  
**PL:** URZĄDZENIE WYMAGA UZIEMIENIA  
**ES:** ESTE APARATO REQUIERE TOMA A TIERRA  
**TR:** BU CİHAZIN TOPRAKLANMASI GEREKİR



	Radiance 50W	Radiance 80W	Radiance 100W	Radiance 150W	Radiance 190W
Glass Front - Black	919-153	919-344	919-332	919-363	919-389
Glass Front - White	919-167	919-372	919-350	919-381	919-396
Flat Steel	919-119	919-440	919-453	919-471	919-488



**EN: Note:** When installing with a Wall Mounting bracket (see Installation Section 3) this will add a further 10mm to the overall depth of the appliance and frame.

**FR: Remarque :** Lors de l'installation d'un support monté au mur (voir Section Installation 3), cela ajoutera 10 mm à la profondeur générale de l'appareil et du cadre.

**NL: Opmerking:** Bij installatie met een wandmontagebeugel (zie Installatie Sectie 3) zal dit 10mm toevoegen aan de totale diepte van het toestel en de lijst.

**IT: Nota:** l'installazione con una staffa di montaggio a parete (vedere la sezione 3 dell'installazione) aumenterà di altri 10 mm la profondità complessiva del dispositivo e del telaio.

**NO: Merk:** Når du installerer med en veggmontert brakett (se Installasjon Avsnitt 3), vil dette legge til ytterligere 10mm til apparatets og rammens totale dybde.

**PL: Uwaga:** Gdy instaluje się wspornik do montowania na ścianie (zob. punkt 3 Instalacja), to należy dodać 10 mm do całkowitej głębokości urządzenia i ramy.

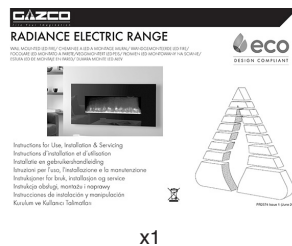
**ES: Nota:** Al instalar con un soporte de montaje en pared (consulte la sección 3 de instalación), esto agregará otros 10 mm a la profundidad total del aparato y el marco.

**TR: Not:** Bir Duvar montaj braketi ile monte ederken (bkz. Kurulum Bölümü 3), cihazın ve çerçevesinin toplam derinliğine 10 mm daha eklenecektir.

Model	A	B	C	D	E (Glass Front)	E (Flat Steel Front)
Radiance 50W	980	670	500	280	18	28
Radiance 80W	1280	670	800	280	18	28
Radiance 100W	1480	670	1000	280	18	28
Radiance 150W	1980	670	1500	280	18	28
Radiance 190W	2380	670	1900	280	18	28

Control System Technical Data - All Models/ Données techniques du système de commande/ Controlesysteem technische data/ Dati tecnici del sistema di controllo/ Kontrollsystem teknisk data/ Dane techniczne systemu sterowania – wszystkie modele/ Datos técnicos del sistema de control: Todos los modelos/ Kontrol Sistemi Teknik Verileri - Tüm Modeller			
	Main Control Board/ Tableau de commande principal/ Hoofdbedieningstafel/ Pannello di controllo principale/ Hoved-kontrollkort/ Główna płyta z regulatorami/ Placa de control principal/ Ana Kumanda Paneli	Remote Receiver Board/ Tableau du récepteur à distance/ Afstandontvangstafel/ Scheda ricevitore remoto/ Fjernmottager-kort/ Płyta odbiornika pilota/Placa receptora a distancia/ Uzaktan Kumanda Alıcı Paneli	Remote Control/ Commande à distance/ Afstandsbediening/ Telecomando/ Fjernkontroll Pilot/ Mando a distancia/ Uzaktan Kontrol
Hardware/ Sprzęt/ Donanım	RC01-040A04 V2	RF290B V1.2	RF290A-TX V1.3
Software/ Logiciel/ Oprogramowanie/ Yazılım	RC01-040A04 V2	-	RF290C V06.0.HEX
Frequency/ Fréquence/ Frequentie/ Frekuensi/ Frekvens/ Częstotliwość/ Frecuencia/ Frekans	-	-	ASK/OOK 433.92MHz
Maximum Transmit Power/ Puissance de transmission maximum/ Maximale zendkracht/ Massima potenza di trasmissione/ Maksimal sendestrøm/ Maksymalna moc transmisji/ Potencia máxima de transmisión/Maksimum İletim Gücü	-	-	10mW

**PACKING CHECKLIST/ LISTE DE VÉRIFICATION DU CONDITIONNEMENT/ PAKLIJST/ ELENCO DI IMBALLAGGIO/  
PAKKSÆDEL OG SJEKKLISTE/ ELEMENTY URZĄDZENIA/ LISTADO DEL EMBALAJE/ KOLİ LİSTESİ**



x1



x2 (AAA)



x1



x2



x1



x1



Radiance 50W x6  
Radiance 80W x6  
Radiance 100W x6  
Radiance 150W x8  
Radiance 190W x10

# Installation Instructions/ Instructions D'installation

## EN: 1. General



**HANDLE WITH CARE:  
THE PAINT SURFACE OF DECORATIVE FRAMES CAN  
MARK WHEN HANDLING.  
ALWAYS WEAR THE GLOVES PROVIDED DURING  
INSTALLATION.**

### 1.1 TOOLS REQUIRED

A Screw Driver, Spirit Level, Saw and Drill will be needed.

### 1.2 UNPACKING THE FIREPLACE

**WARNING! DO NOT use this appliance if any part has been exposed to water.**

Immediately call a qualified service technician to inspect and to replace any part of the electrical system if necessary.

- 1.3 Open the packaging carefully and remove the polystyrene. Remove and discard the plastic bag. Keep plastic wrapping away from children. Be responsible when handling the packing materials.

- 1.4 Check all parts and accessories are removed before disposing of any packaging. If necessary keep the original packaging for future transport and/or storage.

## 2. Fitting the Appliance



**ENSURE THAT THE MAINS SUPPLY IS ISOLATED.**

### 2.1 Locating the Radiance

Your new Radiance may be installed virtually anywhere in your home. However, when choosing a location ensure that the general instructions are followed.

- 2.2 For best results, install out of direct sunlight.

- 2.3 **Make sure there are no pipes or cables behind the area to be drilled or cut.**

- 2.4 **Before installation ensure that the wall is suitably constructed to support the weight of the appliance.**

- 2.5 The appliance should ideally be located close to a suitable mains socket to enable connection. An extension could be run from an existing socket outlet but this must be carried out by a suitably qualified electrical engineer. The electrical socket must be easily accessible to allow disconnection when the appliance is fitted.

- 2.6 If the power cord is damaged, it must be repaired by the manufacturer, its authorised service centre or professional person.

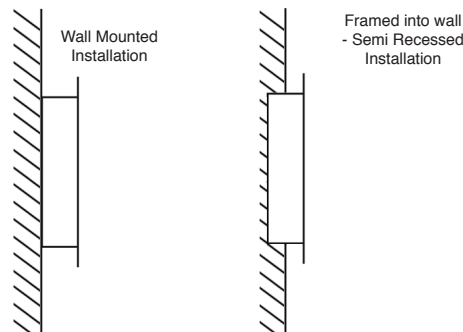
- 2.7 Ensure that curtains and furniture are not positioned close to the chosen position, as this would create a potential fire hazard or block the heater outlet ducts.

**WARNING! KEEP ALL COMBUSTIBLE MATERIALS AT LEAST 1M FROM THE FRONT AND SIDES OF THE ELECTRIC FIREPLACE.**

- 2.8 There are 2 methods of installation:

**Wall Mounted:** the appliance is hung on the wall using the wall mounting bracket supplied, see Section 3.

**Semi Recessed Installation:** the appliance is located in a purpose built recess using the optional Recess Kit, see Section 4.



## FR: 1. Généralités



**MANIPULER AVEC SOIN:  
LA SURFACE DE PEINTURE DE CADRES DÉCORATIFS  
PEUVENT MARQUER LORS DES MANIPULATIONS.  
TOUJOURS PORTER LES GANTS FOURNIS PENDANT  
L'INSTALLATION.**

### 1.1 OUTILS NÉCESSAIRES

Un tournevis, un niveau et une perceuse.

### 1.2 DÉBALLAGE DE L'APPAREIL

**ATTENTION ! NE PAS utiliser cet appareil si l'un de ses composants a été exposé à l'eau.**

Faire appel immédiatement à un technicien de service qualifié pour inspecter et remplacer tout composant du système électrique, le cas échéant.

- 1.3 Ouvrir l'emballage avec précaution et enlever le polystyrène. Enlever et disposer du sac en plastique. Conserver les emballages en plastique hors de la portée des enfants. Soyez responsable lors de la manutention des matériaux d'emballage.

- 1.4 Avant de disposer de l'emballage, vérifier qu'il ne contient aucun composant ou accessoire. Au besoin, conserver l'emballage d'origine pour un transport et/ou entreposage futur.

## 2. Installation De L'appareil



**S'ASSURER QUE L'ALIMENTATION SECTEUR EST ISOLÉE.**

### 2.1 Choix de l'emplacement du Radiance Électrique

Votre nouveau Radiance Électrique peut être installé pratiquement n'importe où chez vous. Toutefois lors du choix de l'emplacement respecter les instructions générales suivantes.

- 2.2 Pour les meilleurs résultats possibles, éviter de l'installer directement en plein soleil.

- 2.3 **Assurez-vous qu'il n'y a pas de tuyaux ou de câbles derrière la zone à être percés ou coupés.**

# Instructions D'installation/ Installatie-Instructies

FRANÇAIS  
NEDERLANDS

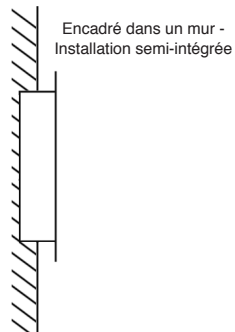
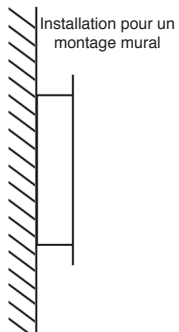
- 2.4 **Avant de procéder à l'installation, s'assurer que le mur soit construit correctement afin de pouvoir supporter le poids de l'appareil.**
- 2.5 L'appareil doit être installé à proximité d'une prise de courant appropriée pour en permettre le branchement. Une extension peut être exécuté à partir d'une prise de courant existante, mais cela doit être effectuée par un ingénieur électricien qualifié.  
La prise électrique doit être facile d'accès pour permettre le débranchement une fois l'appareil installé.
- 2.6 Si le câble d'alimentation électrique est endommagé, ne pas utiliser l'appareil jusqu'à ce qu'il ait été remplacé. Pour des questions de sécurité, le remplacement doit être effectué bien par un électricien compétent.
- 2.7 Veiller à ce que les rideaux et les meubles ne sont pas positionnés à proximité de la position choisie, car cela créerait un risque d'incendie ou de bloquer les conduits de sortie de chauffage.

**AVERTISSEMENT ! CONSERVER LES MATÉRIAUX COMBUSTIBLES À AU MOINS 1 M DE DISTANCE DU DEVANT ET DES CÔTÉS DE L'APPAREIL ÉLECTRIQUE.**

- 2.8 Il existe 2 méthodes d'installation :

**Montage mural :** l'appareil est suspendu au mur à l'aide du support de montage mural fourni, voir Section 3.

**Installation semi-intégrée :** l'appareil est situé dans une cavité construite à cet effet à l'aide du kit de cavité disponible en option, voir Section 4.



## NL: 1. Algemeen

**BREEKBAAR:  
DE VERFOPPERVLAK VAN SIERLIJSTEN KUNNEN  
MARK TIJDENS DE HANTERING.  
DRAAG ALTIJD DE TIJDENS DE INSTALLATIE  
HANDSCHOENEN.**

### 1.1 BENODIGD GEREEDSCHAP

Er zullen een schroevendraaier, een waterpas en een boor nodig zijn.

### 1.2 DE OPEN HAARD UITPAKKEN

**WAARSCHUWING! Dit apparaat NIET gebruiken als er onderdelen aan water blootgesteld zijn geweest.**

Bel onmiddellijk een erkende installateur om een inspectie te laten uitvoeren en vervang, indien nodig, onderdelen van het elektrische systeem.

- 1.3 De verpakking zorgvuldig openen en verwijder het polystyreen. Verwijder de plastic zak en gooi deze weg.  
Houd plastic verpakkingsmateriaal uit de buurt van kinderen.  
Wees verantwoordelijk bij het hanteren van het verpakkingsmateriaal.

- 1.4 Controleer of alle onderdelen en accessoires verwijderd zijn voordat de verpakking weggegooid wordt.  
Bewaar de originele verpakking, indien nodig, voor toekomstig transport en/of opslag.

## 2. Het Apparaat Plaatsen

**ZORG ERVOOR DAT DE STROOMTOEVOER IS ONTKOPPELD.**

### 2.1 De Radiance Electric plaatsen

Uw nieuwe Radiance Electric kan bijna overal in uw huis worden geïnstalleerd. Zorg er echter bij het kiezen van een locatie voor dat de standaard instructies worden opgevolgd.

- 2.2 Voor het beste resultaat niet in direct zonlicht installeren.

- 2.3 **Zorg ervoor dat er geen leidingen of kabels achter het gebied te boren of te snijden.**

- 2.4 **Zorg ervoor de installatie voor dat de wand stabiel is geconstrueerd om het gewicht van het apparaat te ondersteunen.**

- 2.5 Het apparaat moet dicht bij een geschikt stopcontact geplaatst worden om de aansluiting mogelijk te maken. Een verlenging kan worden uitgevoerd vanaf een bestaand stopcontact, maar dit moet door een gekwalificeerde elektrotechnicus worden uitgevoerd. Het stopcontact moet gemakkelijk toegankelijk zijn om de stekker eruit te kunnen trekken wanneer het apparaat geïnstalleerd is.

- 2.6 Als de voedingskabel beschadigd is, moet deze door de fabrikant, een geautoriseerd service centrum of een vakman gerepareerd worden.

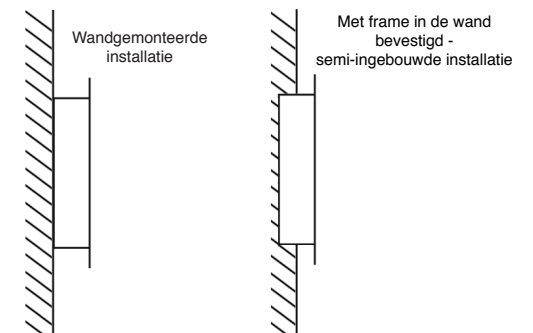
- 2.7 Zorg ervoor dat gordijnen en meubels niet zijn geplaatst in de buurt van de gekozen positie, aangezien dit een potentieel brandgevaar zou maken of blokkeren van de verwarming uitlaat leidingen.

**WAARSCHUWING! HOUD ALLE BRANDBARE MATERIALEN MINIMAAL 1 METER UIT DE BUURT VAN DE VOOR- EN ZIJKANTEN VAN DE ELEKTRISCHE HAARD.**

- 2.8 Er zijn 2 installatiemethodes:

**Wandgemonteerd:** het apparaat wordt aan de wand gehangen met de meegeleverde wandmontagebeugels, zie sectie 3.

**Semi-ingebouwde installatie:** het apparaat wordt ingebouwd in een uitsparing met de optionele uitsparingskit, zie sectie 4.



# Istruzioni Di Installazione/ Instruksjoner For Installasjon

## IT: 1. Generali



**MANEGGIARE CON CURA:  
LA SUPERFICIE DI VERNICE CORNICI DECORATIVE  
PUÒ CONTRASSEGNARE DURANTE LA  
MANIPOLAZIONE.  
INDOSSARE SEMPRE I GUANTI FORNITE DURANTE  
L'INSTALLAZIONE.**

### 1.1 STRUMENTI NECESSARI

Un cacciavite, una livella e un trapano.

### 1.2 DISIMBALLAGGIO DEL CAMINETTO

**ATTENZIONE! NON usare questo apparecchio se una parte qualsiasi è stata esposta all'acqua.**

Chiamare immediatamente un tecnico dell'assistenza qualificato per l'ispezione e la riparazione di qualsiasi parte dell'impianto elettrico, se necessario.

### 1.3 Aprire attentamente la confezione e rimuovere il polistirolo.

Rimuovere e gettare la busta di plastica.  
Tenere l'involucro di plastica fuori dalla portata dei bambini.  
Prestare attenzione durante la manipolazione dei materiali di imballaggio.

### 1.4 Controllare che tutte le parti e gli accessori siano stati rimossi prima di gettare gli imballaggi.

Se necessario, conservare la confezione originale per il trasporto e/o lo stoccaggio futuri.

## 2. Installazione Dell'apparecchio



**ASSICURARSI CHE L'ALIMENTAZIONE DI RETE SIA ISOLATA.**

### 2.1 Posizionamento di Radiance

Il nuovo Radiance può essere installato praticamente in qualsiasi punto della casa. Tuttavia, nella scelta della posizione, seguire le istruzioni generali.

### 2.2 Per i migliori risultati, installarlo lontano dalla luce solare diretta.

### 2.3 Assicurarsi che non vi siano tubi o cavi dietro la zona da forare o tagliati.

### 2.4 Prima dell'installazione assicurarsi che la parete sia costruita in modo adeguato per sostenere il peso dell'apparecchio.

### 2.5 L'apparecchio deve essere posizionato vicino a una presa elettrica adatta per consentire il collegamento. Un'estensione può essere eseguito da una presa esistente, ma ciò deve essere effettuata da un tecnico elettrico qualificato.

La presa elettrica deve essere facilmente accessibile per consentire lo scollegamento una volta montato l'apparecchio.

### 2.6 Se il cavo di alimentazione è danneggiato, non utilizzare l'apparecchio finché non viene sostituito. Per motivi di sicurezza, la sostituzione deve essere effettuata da un responsabile dell'assistenza elettricista.

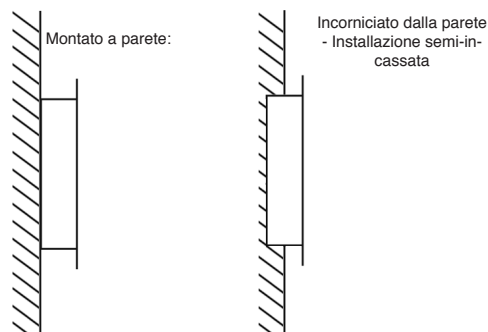
### 2.7 Assicurarsi che tende e mobili non sono posizionati in prossimità della posizione scelta, in quanto ciò creerebbe un potenziale rischio di incendio o ostruire i condotti di scarico del riscaldatore.

**ATTENZIONE! TENERE QUALSIASI MATERIALE COMBUSTIBILE AD ALMENO 1 M DI DISTANZA DALLA PARTE ANTERIORE E DAI LATI DEL CAMINETTO ELETTRICO.**

### 2.8 Ci sono 2 metodi di installazione:

**Montato a parete:** l'apparecchio è appeso alla parete usando la staffa per il montaggio a parete fornita, vedere sezione 3.

**Installazione semi-incassata:** l'apparecchio è posizionato all'interno di una nicchia costruita a tale scopo, usando il Kit Incasso opzionale, vedere sezione 4.



## NO: 1. Generell



**BEHANDLES FORSIKTIG:  
LAKKEN AV DEKORATIVE RAMMER KAN MARKERE  
VED HÅNDBTERING.  
BRUK ALLTID HANSKER LEVERT UNDER  
INSTALLASJONEN.**

### 1.1 NØDVENDIG VERKTØY

Du trenger en skrutrekker, et vater og en drill.

### 1.2 UTPAKKING AV DEN ELEKTRISKE PEISEN

**ADVARSEL! IKKE bruk denne peisen hvis noen del har vært utsatt for vann.**

Kontakt en kvalifisert tekniker umiddelbart for å inspisere og bytte ut aktuelle deler av det elektriske anlegget dersom det er nødvendig.

### 1.3 Åpne innpakningen forsiktig, og fjern polystyrenet.

Ta av plastposen og kast den.  
Hold plastemballasjen unna barn.  
Behandle emballasjematerialet på en ansvarlig måte.

### 1.4 Sjekk at alle deler og alt tilbehør er tatt ut før du kvitter deg med emballasjen.

Om nødvendig kan du beholde originalemballasjen for fremtidig transport og/eller lagring

## 2. Montere Peisen



**PÅSE AT HOVEDSTRØMFORSYNINGEN ER ISOLERT.**

### 2.1 Plassering av Radiance

Din nye Radiance kan faktisk installeres hvor som helst i hjemmet ditt. Når du velger plassering, er det imidlertid viktig at generelle instruksjoner følges.

### 2.2 For best resultat, installer vekk fra direkte sollys.

### 2.3 Pass på at det ikke er noen rør eller ledninger bak området som skal bores eller kuttet.

### 2.4 Før installasjon må du påse at veggens konstruksjon er egnet til å bære vekten av apparatet.

# Instruksjoner For Installasjon/ Instrukcja Montażu

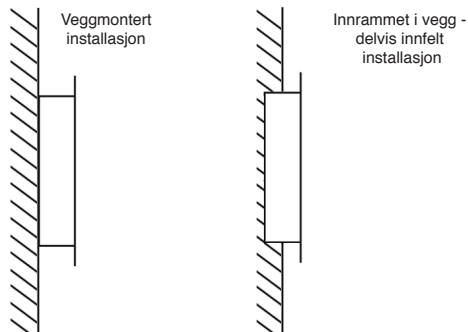
- 2.5 Peisen bør plasseres nært en egnet strømkontakt. En utvidelse kan kjøres fra en eksisterende stikkontakt, men dette må utføres av en kvalifisert elektriker. Strømkontakten skal være lett tilgjengelig slik at strømmen kan kobles fra når peisen er montert.
- 2.6 Hvis strømledningen er skadet, må den repareres av produsenten, dens autorisert servicesenter eller profesjonell person.
- 2.7 Sørg for at gardiner og møbler ikke er plassert nær den valgte posisjon, da dette ville skape en potensiell brannfare eller blokkere varmeapparat utløpskanaler.

**ADVARSEL! HOLD ALLE TYPER BRENNBARE MATERIALER MINST 1 M UNNA FRONTEN OG SIDENE PÅ DEN ELEKTRISKE PEISEN.**

- 2.8 Det er 2 måter å installere apparatet på:

**Veggmontert:** apparatet henges på veggen med den medfølgende veggbraketten, se avsnitt 3.

**Delvis innfelt montering:** apparatet plasseres i en tilpasset innfelling ved bruk av innfellingssettet, som er ett valgfritt tilbehør, se avsnitt 4.



## PL: 1. Podstawowe informacje



**OSTROŻNIE:  
POWIERZCHNI FARBY DEKORACYJNYCH RAMKI  
MOGĄ MARK PODCZAS OBSŁUGI.  
ZAWSZE NALEŻY NOSIĆ RĘKAWIC PODANEJ  
PODCZAS INSTALACJI.**

### 1.1 WYMAGANE NARZĘDZIA

Przygotować śrubokręt, poziomnicę i wiertarkę.

### 1.2 WYPAKOWANIE URZĄDZENIA

**OSTRZEŻENIE! Nie uruchamiać urządzenia, jeżeli jakkolwiek element został narażona na działanie wody.**

Skontaktować się z wykwalifikowanym pracownikiem serwisu w celu przeglądu i ewentualnej wymiany części układu elektrycznego.

- 1.3 Należy otworzyć pudełko ostrożnie i wyjąć elementy z polistyrenu. Wyjąć i wyrzucić torbę foliową. Opakowania z tworzywa sztucznego przechowywać w miejscu niedostępnym dla dzieci. Materiały opakowania należy utylizować zgodnie z obowiązującymi przepisami.

- 1.4 Przed użyciem opakowania sprawdzić, czy wewnątrz nie pozostały jakiegokolwiek części urządzenia. W razie potrzeby zachować oryginalne opakowanie do transportu lub przechowywania.

## 2. Montaż urządzenia



**UPEWNIĆ SIĘ, ŻE ZASILANIE JEST ODŁĄCZONE.**

### 2.1 Umiejscowienie urządzenia Radiance

Urządzenie Radiance może być zamontowane praktycznie w dowolnym miejscu. Przy wyborze miejsca montażu należy postępować zgodnie z poniższymi ogólnymi wytycznymi.

- 2.2 W celu zapewnienia optymalnych warunków pracy nie montować urządzenia w miejscu bezpośrednio nasłonecznionym.

- 2.3 **Upewnij się, że nie ma rury lub przewody za obszaru być wiercone lub cięte.**

- 2.4 **Przed wykonaniem instalacji należy upewnić się, że ściana ma odpowiednią konstrukcję, aby wytrzymała ciężar urządzenia.**

- 2.5 Urządzenie powinno być idealnie położony blisko odpowiedniego gniazdka sieciowego, aby umożliwić połączenie. Rozszerzenie może być uruchamiany z istniejącego gniazda, ale to musi być prowadzone przez odpowiednio wykwalifikowanego inżyniera elektryka. Gniazdko elektryczne musi być łatwo dostępne, aby umożliwić odłączenie, gdy urządzenie jest zamontowane.

- 2.6 Natychmiast naprawić uszkodzony przewód zasilający (producent, autoryzowane centrum serwisowe lub osoba o odpowiednich kwalifikacjach).

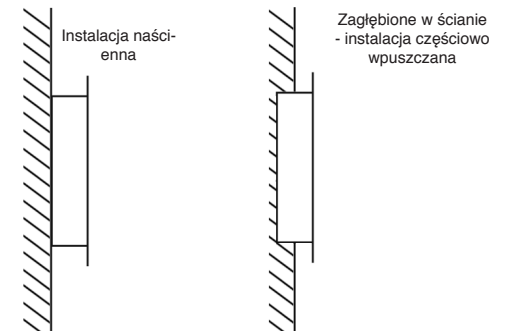
- 2.7 Upewnij się, że zasłony i meble nie są umieszczone blisko do wybranej pozycji, a to tworzy potencjalne zagrożenie pożarowe lub zablokować kanały wylotowe nagrzewnicy.

**OSTRZEŻENIE! WSZELKIE ELEMENTY WYPOSAŻENIA POMIESZCZENIA POWINNY ZNAJDOWAĆ SIĘ CO NAJMNIEJ 1 M OD PRZEDNIH DRZWI URZĄDZENIA.**

- 2.8 Są dwie metody instalacji:

**Montowanie na ścianie:** urządzenie wiesz się na ścianie przy pomocy dostarczonego wspornika ściennego, zob. punkt 3.

**Instalacja częściowo wpuszczana:** urządzenie umieszcza się w specjalnie przygotowanym otworze do wpuszczania przy pomocy opcjonalnego zestawu dla tej metody, zob. punkt 4.



# Instrucciones De Instalación/ Kurulum Talimatları

## ES: 1. General

**MANEJAR CON CUIDADO:  
LA SUPERFICIE DE PINTURA DECORATIVA MARCOS  
PUEDE MARCAR AL MANIPULAR.  
SIEMPRE USE LOS GUANTES PROPORCIONÓ  
DURANTE LA INSTALACIÓN.**

### 1.1 HERRAMIENTAS REQUERIDAS

Necesitará un destornillador, un nivel y un taladro.

### 1.2 DESEMBALADO DE LA ESTUFA

**¡AVISO! NO utilice este aparato si cualquiera de sus piezas ha estado sumergida bajo el agua.**

Si fuera necesario, llame inmediatamente a un técnico de servicio cualificado para inspeccionar y sustituir cualquier pieza del sistema eléctrico.

1.3 Abra con cuidado el embalaje y saque el poliestireno. Extraiga y deseche la bolsa de plástico.

Mantenga siempre las bolsas de plástico alejadas de los niños. Sea responsable a la hora de manejar los materiales de embalaje.

1.4 Compruebe que haya sacado todas las piezas y accesorios antes de deshacerse de cualquier embalaje.

En caso necesario, conserve el embalaje original para un futuro almacenamiento o transporte de la unidad.

## 2. Instalación Del Aparato

**COMPRUEBE QUE LA RED ELÉCTRICA ESTÁ AISLADA.**

### 2.1 Emplazamiento de la Radiance

Su nueva Radiance puede ser emplazada prácticamente en cualquier lugar de la casa. Sin embargo, al escoger su ubicación, asegúrese de seguir estas instrucciones generales:

2.2 Para un mejor resultado, instálela fuera de la luz solar directa.

2.3 **Asegúrese de que no hay tuberías o cables detrás de la zona a perforados o cortados.**

2.4 **Antes de la instalación, confirme que la construcción de la pared es adecuada para soportar el peso del aparato.**

2.5 El aparato debe emplazarse próximo a un enchufe eléctrico apropiado para permitir su conexión. Una extensión se puede ejecutar desde una toma de corriente existente, pero esto debe ser realizado por un ingeniero eléctrico cualificado. Tal enchufe será de fácil acceso de manera que sea posible desconectar el aparato mientras se instala.

2.6 Si el cable de la tensión eléctrica se encontrara dañado, deberá ser reparado por el fabricante, su centro autorizado o un profesional.

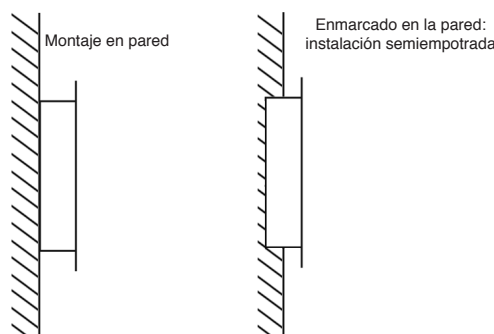
2.7 Asegúrese de que las cortinas y los muebles no se colocan cerca de la posición elegida, ya que esto crearía un riesgo potencial de incendio o bloquear los conductos de salida del calentador.

**¡AVISO! MANTENGA CUALQUIER MATERIAL COMBUSTIBLE A UNA DISTANCIA MÍNIMA DE UN METRO DEL FRONTAL Y LOS LATERALES DEL APARATO.**

2.8 Hay 2 métodos de instalación:

**Montaje en pared:** el aparato se cuelga en la pared con el soporte al efecto suministrado; consulte la sección 3.

**Instalación semiempotrada:** el aparato se monta en un hueco realizado al efecto usando el kit de de montaje empotrado opcional; consulte la sección 4.



## TR: 1. Genel

**TUTARKEN DİKKATLİ OLUN:  
DEKORATİF ÇERÇEVELERİN YÜZEYİNDEKİ BOYA  
HASAR GÖREBİLİR.  
KURULUM İÇİN ÜRÜNLE BİRLİKTE SAĞLANAN  
ELDİVENLERİ DAİMA KULLANIN.**

### 1.1 GEREKLİ ARAÇLAR

Tornavida, su terazisi, testere ve matkap gereklidir.

### 1.2 ŞÖMİNENİN AMBALAJINDAN ÇIKARILMASI

**UYARI! Herhangi bir parçasına su değişmişse cihazı KULLANMAYIN.**

Elektrik sistemini incelemesi ve gerekirse parçalarını yenisiyle değiştirmesi için derhal nitelikli bir servis teknisyeni çağırın.

1.3 Ambalajı dikkatle açın ve polistireni çıkarın.

Plastik torbayı çıkarın ve atın.

Plastik poşetleri çocuklardan uzak tutun.

Ambalaj malzemelerini kullanırken sorumlu davranın.

1.4 Ambalajları atmadan önce bütün parçaların ve aksesuarların çıkarılıp çıkarılmadığını kontrol edin.

Gerekirse ileride nakletmek ve/veya muhafaza etmekte kullanmak için orijinal ambalajı saklayın.

## 2. Cihazın Montaj

**CİHAZIN ELEKTRİK ŞEBEKESİNDEN TAMAMEN AYRILDIĞINDAN EMİN OLUN.**

### 2.1 Cihazın Yerini Belirleme

Yeni cihazınız evinizin hemen hemen her yerine yerleştirilebilir. Fakat yeri seçerken genel talimatlara uyduğunuzdan emin olun.

2.2 En iyi sonucu almak için doğrudan güneş ışığı almayan bir yere yerleştirin.

2.3 **Delinecek veya kesilecek bölgenin gerisinden boru veya kablo geçmediğinden emin olun.**

2.4 **Duvarın cihazı kaldıracak yapıya sahip olduğundan kuruluma başlamadan önce emin olun.**

## Kurulum Talimatları

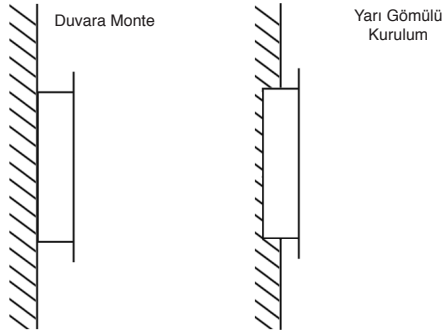
- 2.5 Cihaz, bağlantının sağlanması için tercihen uygun bir şebeke prizinin yakınına yerleştirilmelidir. Mevcut bir prizden uzatma yapılabilir; ancak bu bir yetkili elektrik mühendisi tarafından yapılmalıdır.  
Priz, cihazın montajı bittiğinde bağlantının kesilmesine olanak verecek şekilde kolayca ulaşılabilir bir yerde olmalıdır.
- 2.6 Güç kablosu hasar görmüşse üretici, yetkili servis veya profesyonel bir kimse tarafından onarılmalıdır.
- 2.7 Perdelerin ve mobilyaların seçilen konuma yakın konumda olmamasına dikkat edin, aksi halde potansiyel bir yangın tehlikesine neden olabilir veya ısıtıcı çıkış kanallarını tıkaşabilirsiniz.

**UYARI! HER TÜRLÜ DÖŞEMELİĞİ VEYA YANICI MADDEYİ CİHAZIN ÖN TARAFINDAN EN AZ 1 METRE UZAKTA TUTUN.**

- 2.8 Kurulum için 2 yöntem vardır:

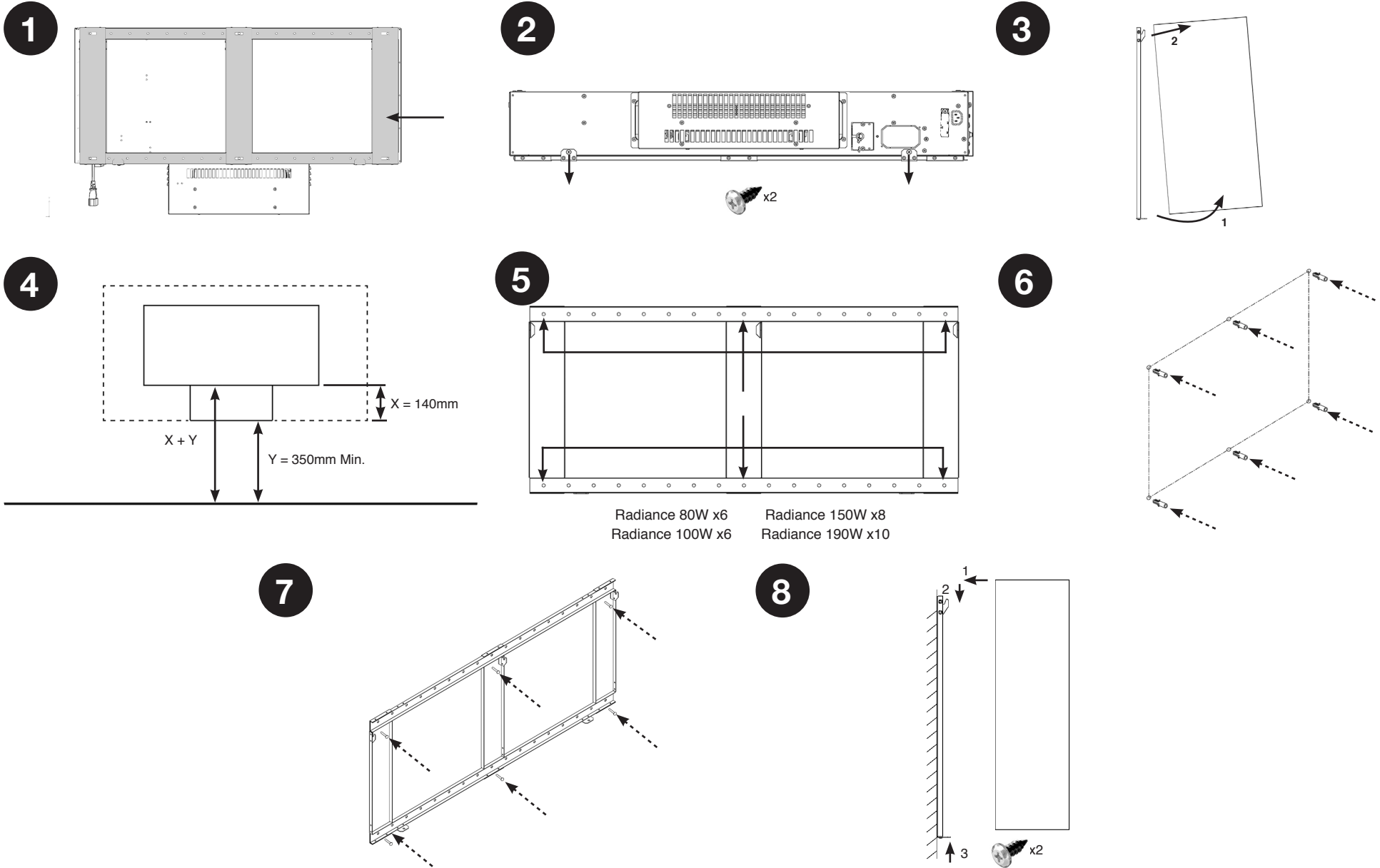
**Duvara montaj:** Cihaz, beraberinde gelen duvara monte braketi ile duvara asılır, bk. Bölüm 3.

**Yarı gömülü montaj:** Cihaz, tercihe bağlı olarak temin edilebilen yarı gömülü montaj seti ile duvarda özel olarak hazırlanmış bölmeye yerleştirilir, bk. Bölüm 4.

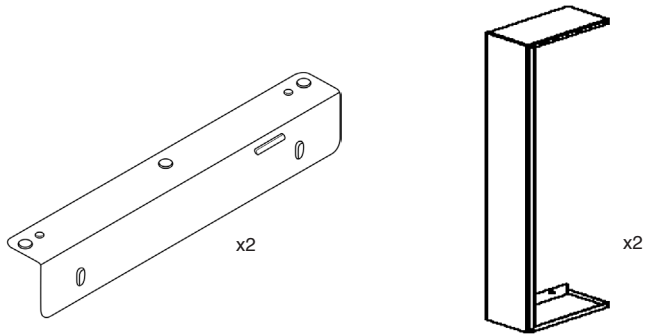




3. Wall Mounted Installation - Mounting Bracket/ Installation pour un montage mural- Support de montage/ Wandgemonteerde installatie - Bevestigingsbeugel/  
Installazione con montaggio a parete - Staffa di montaggio/ Veggmontert installasjon - Monteringsbrakett/ Instalacja naścienna - Wspornik do montowania/  
Montaje en pared - Soporte de montaje/ Duvara Monte - Montaj Braketi

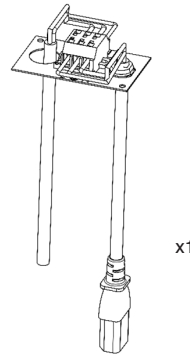


4. Semi Recessed Installation (Optional Kit)/ Kit de Cavité (Kit optionnel)/ Semi-ingebouwde installatie (Optionele kit)/  
Installazione semi-incassata (Kit opzionale)/ Delvis innfelt montering (Valgfritt tilbehørssett)/  
Instalacja częściowo wpuszczana (Opcjonalny zestaw)/ Instalación semiempotrada (Kit opcional)/ Yarı Gömülü Kurulum (Tercihe Bağlı Set)

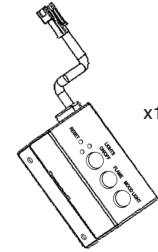


Side Bracket/ Support latéral/ Zijbeugel/  
Staffa laterale/ Sidebrakett/ Boczny  
wspornik/ Soporte lateral/ Yan Braket

Spacer/ Entretoise/ Afstandstuk/  
Spaziatore/ Avstandsskive/  
Dystansownik/ Distanciador/ Mesafe  
Eleman



Hardwiring Kit/ Kit de raccordement électrique/  
Bedradingskit/ Kit di cablaggio/ Nettkoblingssett/  
Zestaw do wykonywania podłączenia/ Kit de  
conexiones de cables/ Fiziksel Bağlantı Seti



Control Box/ Boîtier De Contrôle/  
Schakelkast/ Scatola Di Controllo/  
Kontrollboks/ Skrzynkę sterowania/ Caja de  
control/ Kontrol Kutusu



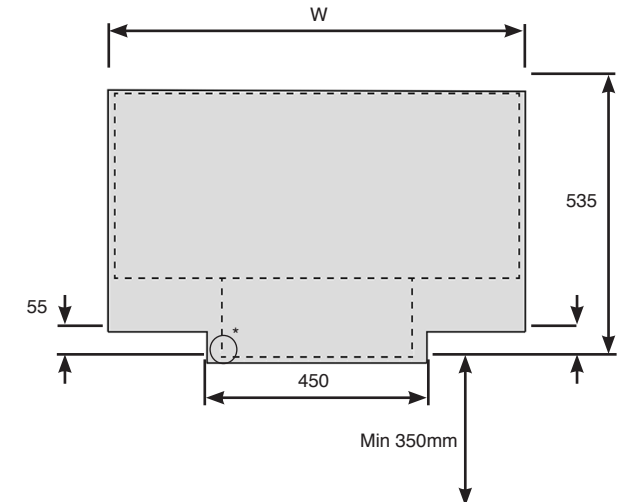
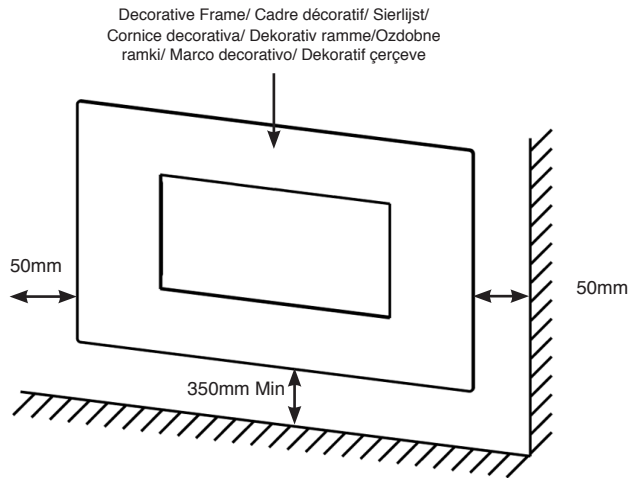
M5 x 16



ST5 x 40



ST4 x 10



\*  
**EN:** There must be a 5mm gap between the edge of the recess and the bottom of the appliance.

**FR:** Il doit y avoir un espace de 5 mm entre le bord de la niche et le bas de l'appareil.

**NL:** Er moet een gat van 5 mm tussen de rand van de uitsparing en de onderkant van het apparaat zijn.

**IT:** Ci deve essere uno spazio di 5mm tra il bordo della nicchia e il fondo dell'apparecchio.

**NO:** Det må være et gap på 5 mm mellom kanten av innfellingsåpningen og undersiden av varmeenheten.

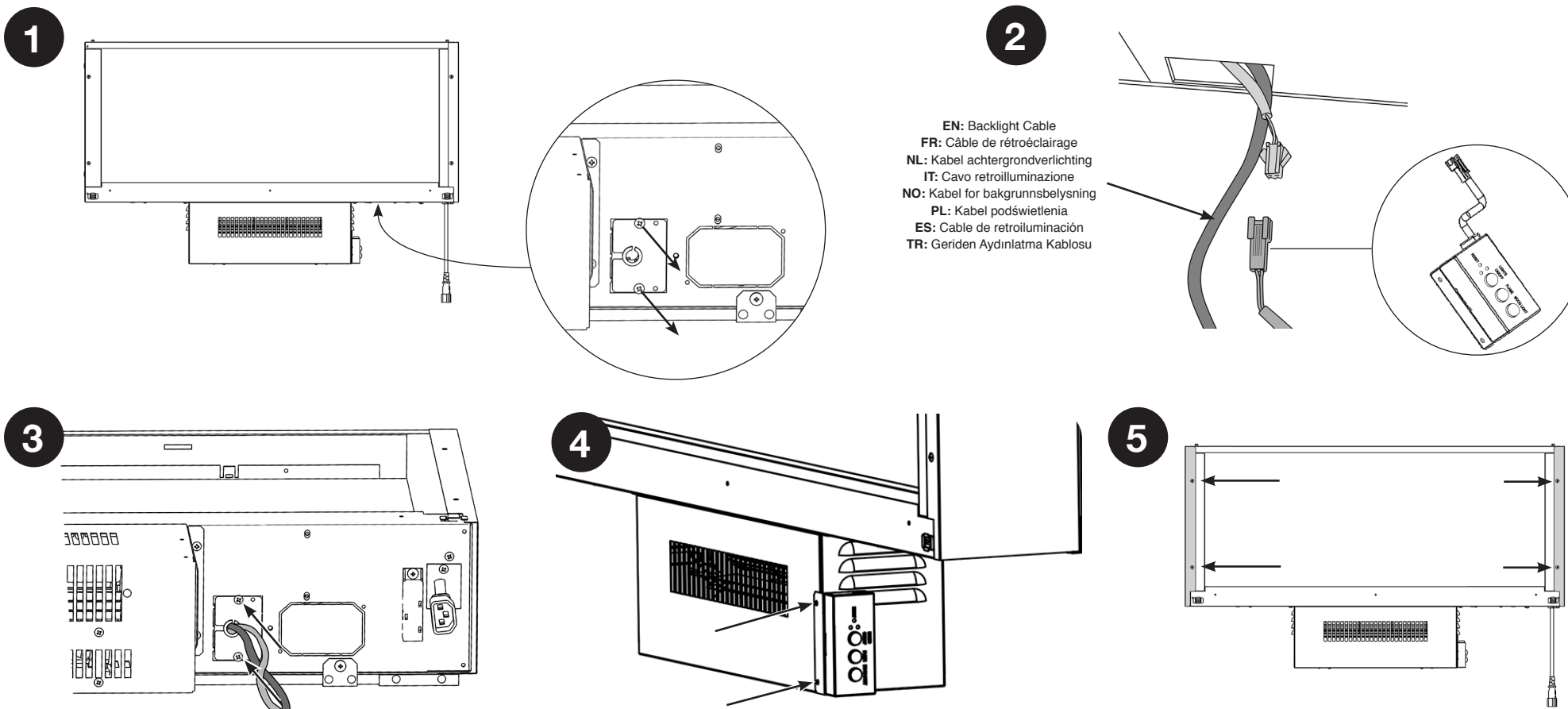
**ES:** Debe haber una separación de 5 mm entre el borde del hueco y la parte inferior del aparato.

**PL:** Między krawędzią wnętrza a dnem urządzenia musi znajdować się 5 mm odstęp.

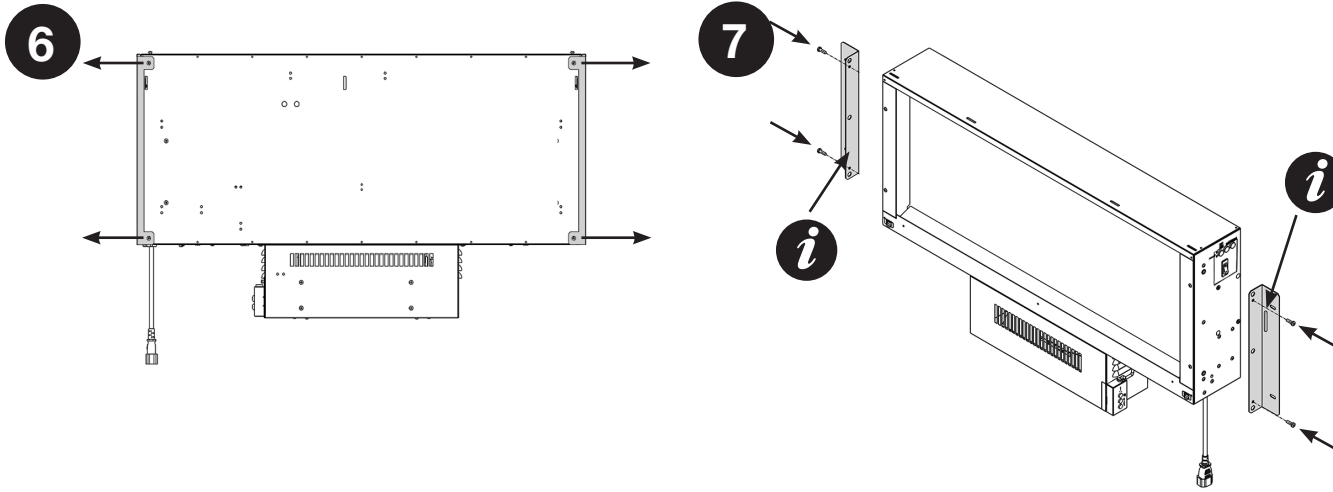
**TR:** Duvardaki girintinin kenarı ile cihazın alt kenarı arasında 5 mm mesafe bulunmak zorundadır.

	(W)
Radiance 50W	632
Radiance 80W	932
Radiance 100W	1132
Radiance 150W	1632
Radiance 190W	2032

Preparing the Appliance/ Préparation de l'appareil/ Voorbereiden van het apparaat/ Preparazione dell'apparecchio/ Forberedelse av apparatet/  
Przygotowanie urządzenia/ Preparación del aparato/ Cihazın Hazırlanması



Preparing the Appliance/ Préparation de l'appareil/ Voorbereiden van het apparaat/ Preparazione dell'apparecchio/ Forberedelse av apparatet/  
Przygotowanie urządzenia/ Preparación del aparato/ Cihazın Hazırlanması



Hardwiring Kit/ Kit de raccordement électrique/ Bedradingskit / Kit di cablaggio/ Nettkoblingssett/ Zestaw do wykonywania podłączenia/  
Kit de conexiones de cables/ Fiziksel Bağlantı Seti



**EN: THIS MUST ONLY BE CARRIED OUT BY A SUITABLY QUALIFIED PERSON. ENSURE THAT THE MAINS SUPPLY IS ISOLATED.**

**FR: CETTE PROCÉDURE DOIT IMPÉRATIVEMENT ÊTRE EFFECTUÉE PAR UNE PERSONNE DÛMENT QUALIFIÉE.**

**S'ASSURER QUE L'ALIMENTATION SECTEUR EST ISOLÉE.**

**NL: DIT MAG ALLEEN WORDEN UITGEVOERD DOOR EEN GESCHIKT GEKWALIFICEERD PERSOON.**

**ZORG ERVOOR DAT DE STROOMTOEVOER IS ONTKOPPELD.**

**IT: QUESTO DEVE ESSERE SVOLTO SOLO DA UNA PERSONA ADEGUATAMENTE QUALIFICATA.**

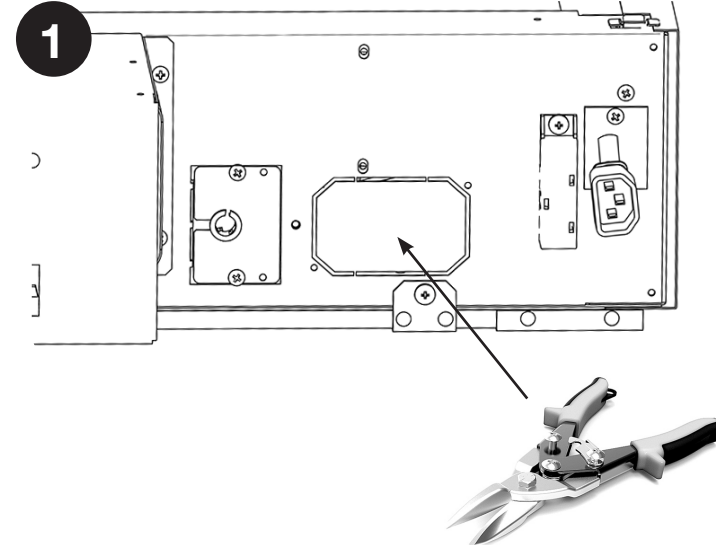
**ASSICURARSI CHE L'ALIMENTAZIONE DI RETE SIA ISOLATA.**

**NO: DETTE MÅ KUN UTFØRES AV EN KVALIFISERT PERSON. PÅSE AT HOVEDSTRØMFORSYNINGEN ER ISOLERT.**

**PL: MUSI TO BYĆ WYKONYWANE PRZEZ ODPOWIEDNIO WYKWALIFIKOWANĄ OSOBĘ. UPEWNIĆ SIĘ, ŻE ZASILANIE JEST ODŁĄCZONE.**

**ES: ESTA TAREA DEBERÁ QUEDAR A CARGO DE PERSONAL DEBIDAMENTE CUALIFICADO. COMPRUEBE QUE LA RED ELÉCTRICA ESTÁ AISLADA.**

**TR: BU İŞLEM, UYGUN NİTELİKLERE SAHİP BİR UZMAN TARAFINDAN YÜRÜTÜLMELİDİR. CİHAZIN ELEKTRİK ŞEBEKESİNDEN TAMAMEN AYRILDIĞINDAN EMİN OLUN.**



Hardwiring Kit/ Kit de raccordement électrique/ Bedradingskit / Kit di cablaggio/ Nettkoblingssett/ Zestaw do wykonywania podłączenia/  
Kit de conexiones de cables/ Fiziksel Bağlantı Seti

**i**

**EN:** Note: This is a permanent modification. Once the panel has been removed it can not be replaced.  
Future installations: If the appliance is to be used with the plug supplied the Hardwiring kit must remain fitted.

**FR:** Remarque : Il s'agit là d'une modification permanente. Une fois que le panneau est retiré, il ne peut pas être remis en place.  
Installations futures : Si l'appareil doit être utilisé avec la prise fournie, le kit de raccordement électrique doit rester installé.

**NL:** Let op: Dit is een permanente aanpassing. Als het paneel is verwijderd, kan deze niet worden verwijderd.  
Toekomstige installaties: Als het apparaat wordt gebruikt met de meegeleverde stekker, moet de bedradingskit bevestigd blijven.

**IT:** Nota: Questa è una modifica permanente. Una volta che il pannello è stato tolto, non può essere rimosso.  
Installazioni future: Se l'apparecchio deve essere usato con la spina fornita, il Kit di cablaggio deve rimanere inserito.

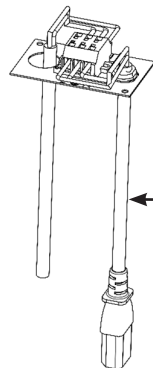
**NO:** Merk: Dette er en permanent endring. Når panelet er fjernet kan det ikke settes tilbake.  
Framtidige installasjoner: Hvis apparatet skal brukes med den medfølgende kontakten må nettkoblingssettet forbli montert.

**PL:** Uwaga: To jest nieodwracalna modyfikacja. Gdy płytka została wyjęta, nie można jej założyć ponownie.  
Instalacje w przyszłości: Jeżeli urządzenie będzie używane z dostarczoną wtyczką, zespół do podłączania musi pozostać zamontowany.

**ES:** Nota: Esta modificación es permanente. Cuando el panel se haya retirado, no se podrá reponer.  
Instalaciones futuras: Si el aparato se va a usar con el enchufe suministrado, el kit de conexiones de cables debe dejarse instalado.

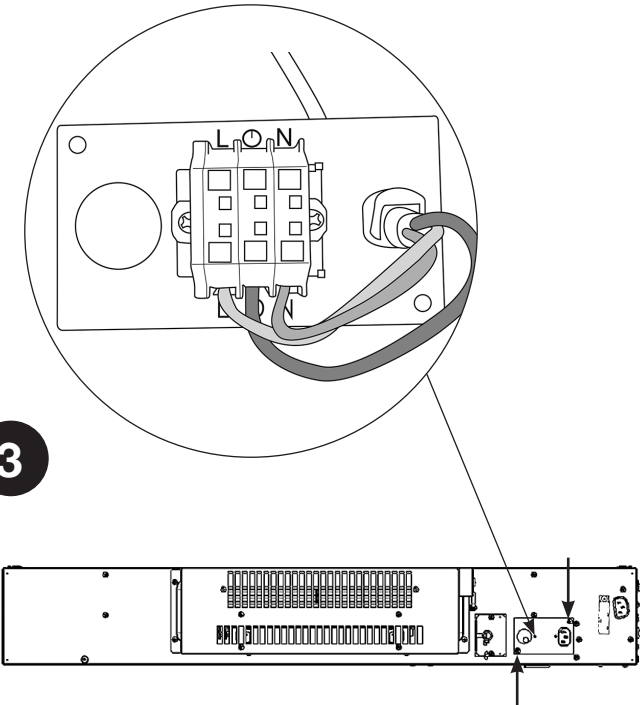
**TR:** Dikkat: Bu, kalıcı bir değişiklik yapılıcağı anlamına geliyor. Bu parça kesildikten sonra yeniden yerine takılamaz.  
Cihazın gelecekte yeniden kurulacaksa: Cihaz ileride beraberinde gelen fiş ile elektrığe bağlanacaksa, yerleştirilen fiziksel bağlantı seti de olduğu gibi kalmalıdır.

**2**

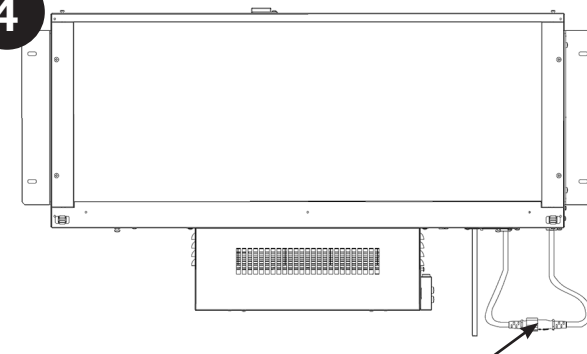


**EN:** Mains Cable  
**FR:** Câble d'alimentation  
**NL:** Voedingskabel  
**IT:** Cavo di rete  
**NO:** Nettkabel  
**PL:** Kabel zasilania  
**ES:** Cable de red eléctrica  
**TR:** Elektrik Kablosu

**3**



**4**



Fitting the Decorative Fuel Effect/ Installation de l'effet combustible décoratif/ Bevestiging van het Decoratieve Brandstofeffect/  
Installare l'effetto combustibile decorativo/ Montering av den dekorative brenseffekten/ Mocowanie efektu dekoracyjnego paliwa/  
Instalación del Lecho De Combustible/ Dekoratif Yakıt Efektinin Kullanımı

**EN:** Evenly spread the decorative fuel effect across the fuel bed.  
Stone Effect only: Randomly space the clear effect throughout the fuel bed. It is not necessary to use all of the effect supplied.

**FR:** Lors de la installation de l'effet combustible, s'assurer qu'il soit réparti de façon homogène sur le lit de combustible.  
Effet à pierres uniquement : Répartir l'effet transparent de façon aléatoire sur l'ensemble du lit de combustible.

**NL:** Verspreid de decoratieve stenen gelijk over het brandstofbed.  
Alleen steeneffect: Verdeel het transparante effect willekeurig over het brandstofbed. Het is niet nodig om al het meegeleverde effect te gebruiken.

**IT:** Quando sistemazione l'effetto combustibile, assicurarsi che sia sparso in maniera omogenea nel crogiolo di combustione.  
Solo per l'effetto pietra: Sparpagliare a caso l'effetto chiaro in tutto il crogiolo di combustione.

**NO:** Jevnt fordelt den dekorative virkning brensel tvers over brensellaget.  
Kun for steineffekt: Spre den gjennomsiktige effekten tilfeldig utover brennkammeret.

**PL:** Równomiernie rozłożyć efekt dekoracyjny paliwa w poprzek łózka paliwa.  
Tylko efekt kamienia: Efekt rozmieścić dowolnie w palenisku.

**ES:** Uniformemente extendido el efecto decorativo de combustible a través del lecho de combustible.  
Efecto de piedra única: Aleatoriamente espacio el efecto claro a lo largo del lecho de combustible. No es necesario usar todo el efecto suministrado.

**TR:** Yakıt efektini yerleştirirken yakıt yatağına eşit olarak yayıldığından emin olun.  
Sadece Taş Efekt: Şeffaf efekti yakıt yatağına rastgele aralıklarla yayın.

Fitting the Decorative Front/ Installation Des Cadres/ Montage van de decoratieve voorzijde/ Installazione le parti anteriori decorative/  
Montering av den dekorative brenseffekten/ Montaż przedniej Dekoracyjnej/ Instalación del Lecho De Combustible/ Dekoratif Çerçevenin Montajı



**EN: Semi Recessed Installation**  
With the appliance isolated, turn on the mains power switch on the right hand side of the outer casing.

**FR: Installation semi-intégrée**  
Une fois l'application isolée, allumer l'interrupteur d'alimentation secteur sur le côté droit du boîtier externe.

**NL: Semi-ingebouwde installatie**  
Als het apparaat is ontkoppeld, schakel de voedingsschakelaar aan de rechterkant van de buitenste behuizing in.

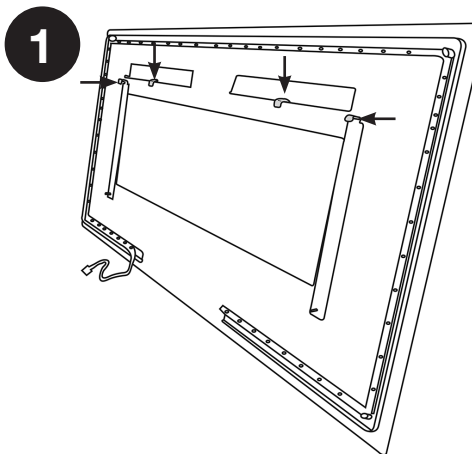
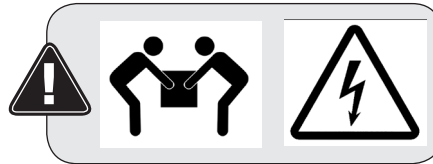
**IT: Installazione semi-incassata**  
Con l'apparecchio isolato, accendere l'interruttore di alimentazione di rete sul lato destro del rivestimento esterno.

**NO: Delvis innfelt montering**  
Med apparatet isolert, skru på hovedstrømbryteren å høyre side av det ytre dekselet.

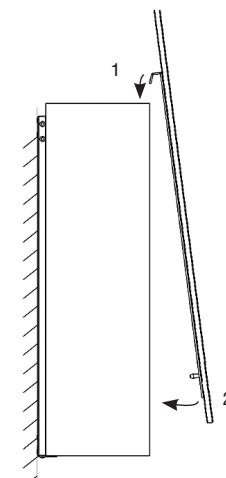
**PL: Instalacja częściowo wpuszczana**  
Gdy urządzenie jest odłączone od zasilania, należy włączyć przełącznik zasilania po prawej stronie zewnętrznej obudowy.

**ES: Instalación semiempotrada**  
Con el aparato aislado, encienda el interruptor de alimentación situado a la derecha del alojamiento exterior.

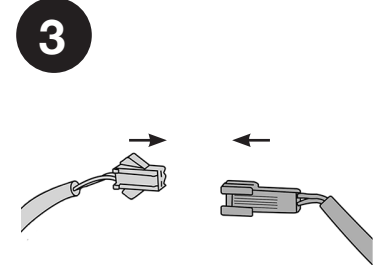
**TR: Yarı Gömülü Kurulum**  
Cihazı elektrik şebekesinden tamamen ayırdıktan sonra, dış yüzeyin sağ tarafında bulunan ana güç şalterini açın.



**2**



**3**



## 1. Servicing Requirements/ Instructions D'entretien/ Onderhoud/



**DURING SERVICING OF THIS APPLIANCE IT MAY BE NECESSARY TO CUT CABLE TIES IN ORDER TO ACCESS AND REMOVE SOME OF THE PARTS. THESE MUST BE REPLACED WHEN REASSEMBLING THE APPLIANCE.**

**THIS APPLIANCE MUST ONLY BE SERVICED BY A SUITABLY QUALIFIED PERSON.**

**BEFORE UNDERTAKING ANY WORK ON THE APPLIANCE: SWITCH OFF THE APPLIANCE AND ISOLATE THE POWER SUPPLY ENSURING THERE IS NO POWER TO THE APPLIANCE.**

- 1.1 Wait for at least 10 minutes until the appliance has cooled down.
- 1.2 **Remote Handset Battery Replacement**  
Replace with 2 AAA batteries. Make sure the batteries are installed correctly in the remote control.
- 1.3 **Maintenance of Motors**  
The motor used on the flame effect is pre-lubricated for extended bearing life and requires no further lubrication. However, periodic cleaning/vacuuming of the heater unit is recommended.
- 1.4 **Resetting the Thermal Cutout Switch**  
The appliance is fitted with an Electronic Safety Control (E.S.). This is a safety device which switches off the fire if, the appliance overheats for any reason e.g. when covered.

If the heater stops operating whilst the flame effect continues normally, this indicates that the E.S. Control is in operation. The E.S. Control can only be re-set after the appliance has cooled down.

To re-set the E.S.:

Switch off the appliance (Manual On/Off switch) and leave for approximately 120 minutes.

Remove any obstruction to the fan heater outlet or other internal parts.

Switch on appliance and the E.S. Control will re-set. Ensure that the appliance is functioning correctly. If the E.S. Control operates again, the appliance should be checked by a competent Electrician.



**PENDANT ENTRETIEN DE L'APPAREIL, IL PEUT ETRE NECESSAIRE DE COUPER LES LIENS DE CÂBLE POUR ACCÈS ET À LEVER CERTAINES DES PARTIES. IL FAUT LES REMPLACER LORS DU REMONTAGE L'APPAREIL.**

**LA MAINTENANCE DE CET APPAREIL NE DOIT ÊTRE EFFECTUÉE QUE PAR UNE PERSONNE QUALIFIÉE. AVANT D'EFFECTUER DES TRAVAUX SUR L'APPAREIL: ARRÊTER L'APPAREIL ET ISOLER L'ALIMENTATION ÉLECTRIQUE EN VÉRIFIANT QUE L'APPAREIL N'EST PLUS ALIMENTÉ.**

- 1.1 Attendre au moins 10 minutes jusqu'à ce que l'appareil soit froid.
- 1.2 **Remplacement de la pile électrique de la télécommande**  
La remplacer avec 2 x pile électrique de type AAA. Vérifier que la pile est installée correctement dans la télécommande.
- 1.3 **Maintenance des moteurs**  
Les moteurs du ventilateur et de l'effet flamme sont prégraissés pour prolonger la durée de vie des roulements et ne nécessitent aucun graissage supplémentaire. Toutefois, il est recommandé de nettoyer à l'aide d'un aspirateur périodiquement l'unité ventilateur/ chauffage.
- 1.4 **Réenclenchement du disjoncteur thermique**  
L'appareil est équipé d'un dispositif de sécurité électronique. C'est un dispositif de sécurité qui éteint l'appareil en cas de surchauffe de celui-ci, par ex. lorsqu'il est recouvert.

Si le chauffage s'arrête alors que l'effet flamme continu normalement, cela indique que le dispositif de sécurité est en cours de fonctionnement.

Le dispositif de sécurité ne peut être réenclenché que lorsque l'appareil est froid.

Réenclenchement du dispositif de sécurité :

Éteindre l'appareil (interrupteur manuel On/Off) et le laisser refroidir pendant 120 minutes.

Dégager toute obstruction de la sortie du ventilateur de chauffage ou de toutes autres parties internes.

Allumer l'appareil et le dispositif de sécurité se réenclenchera.

Vérifier que l'appareil fonctionne correctement. Si le dispositif de contrôle se déclenche de nouveau, l'appareil doit être vérifié par un électricien compétent.



**TIJDENS ONDERHOUD VAN DIT APPARAAT KAN HET NODIG ZIJN OM DE KABELBINDERS LOS TE SNIJDEN OM TOEGANG TE VERKRIJGEN TOT DELEN OF OM DEZE TE VERWIJDEREN. DEZE MOETEN WORDEN TERUGGEPLAATST BIJ HET OPNIEUW AANBRENGEN VAN HET APPARAAT.**

**DIT APPARAAT MAG UITSLUITEND ONDERHOUDEN WORDEN DOOR EEN VOLDOENDE GEKWALIFICEERDE PERSOON.**

**ALVORENS IETS TE DOEN AAN HET TOESTEL: SCHAKEL HET TOESTEL UIT EN ISOLEER DE STROOMTOEVOER. CONTROLEER DAT HET TOESTEL NIET ONDER STROOM STAAT.**

- 1.1 Wacht minstens 10 minuten totdat het apparaat is afgekoeld.
- 1.2 **Batterijen Afstandsbediening Vervangen**  
  
Met een AAA-batterij vervangen. Zorg ervoor dat de batterij op de juiste wijze in de afstandsbediening is geplaatst.
- 1.3 **Onderhoud van Motoren**  
De motoren die voor de ventilator en het vlammeffect gebruikt worden zijn vooraf gesmeerd voor een langere levensduur van de lagere en hebben geen verdere smering nodig. Het wordt echter aanbevolen de ventilator/verwarmingsunit regelmatig te reinigen/ stof weg te zuigen.
- 1.4 **De thermische beveiligingsschakelaar resetten**  
Het toestel is uitgerust met een Electronic Safety Control (E.S.). Dit is een veiligheidsvoorziening die de haard uitschakelt als het apparaat, om welke reden dan ook, oververhit raakt, bijvoorbeeld wanneer hij afgedekt is.  
  
Als de haard niet meer functioneert, maar het vlammeffect blijft gewoon doorgaan, geeft dit aan dat de ES Control functioneert. De E.S. Control kan alleen opnieuw worden ingesteld nadat het apparaat is afgekoeld.  
Opnieuw instellen van de ES:  
Schakel het apparaat uit (Handmatige aan/uit-schakelaar) en laat het gedurende 120 minuten afkoelen.  
Verwijder eventuele verstoppingen uit de uitlaat van de ventilatorkachel of andere interne onderdelen.  
Zet het apparaat opnieuw aan en de E.S. Control zal opnieuw ingesteld worden. Zorg ervoor dat het apparaat op de juiste wijze functioneert. Als de E.S. Control opnieuw functioneert, moet het apparaat door een vakbekwame elektricien worden gecontroleerd.

## 1. Requisiti Di Riparazione/ Servicekrav/ Podstawowe wymagania



**DURANTE LA RIPARAZIONE DI QUESTO APPARECCHIO POTREBBE ESSERE NECESSARIO TAGLIARE LE FASCETTE DEI CAVI PER RAGGIUNGERE E TOGLIERE ALCUNE PARTI. QUESTE DEVONO ESSERE RIMESSE AL LORO POSTO QUANDO DI RIMONTA L'APPARECCHIO.**

**QUESTO APPARECCHIO DEVE ESSERE RIPARATO SOLO DA PERSONALE QUALIFICATO. PRIMA DI MANEGGIARE L'APPARECCHIO: SPEGNERE L'APPARECCHIO, ISOLARE L'ALIMENTAZIONE E ASSICURARSI CHE L'APPARECCHIO NON SIA ALIMENTATO DALLA CORRENTE.**

- 1.1 Attendere almeno 10 minuti, in modo da far raffreddare l'unità.
- 1.2 **Sostituzione delle pile del telecomando**  
Sostituire con 2 x pila AAA. Assicurarsi che la pila sia correttamente installata nel telecomando.
- 1.3 **Manutenzione dei motori**  
I motori utilizzati nella ventola e nell'effetto fiamma sono già lubrificati per aumentare la durata dei cuscinetti e non richiedono ulteriore lubrificazione. Tuttavia, si consiglia una pulizia/ aspirazione periodica della ventola/riscaldatore.
- 1.4 **Reimpostazione dell'interruttore termico di sicurezza**  
L'apparecchio è dotato di un controllo elettronico di sicurezza (E.S.), un dispositivo di sicurezza che spegne il caminetto se si surriscalda per qualsiasi motivo, ad esempio se viene coperto.

Se il riscaldatore smette di funzionare e l'effetto fiamma continua a funzionare, significa che il controllo E.S. si è attivato. Il controllo E.S. può essere reimpostato solo dopo che l'apparecchio si è raffreddato.  
Per reimpostare il controllo E.S.:  
Spegnerne l'apparecchio (interruttore manuale On/Off) e lasciarlo raffreddare per circa 120 minuti.  
Rimuovere eventuali ostruzioni dall'uscita del riscaldatore a ventola o da altre parte interne.  
Accendere l'apparecchio e il controllo E.S. si reimposterà. Assicurarsi che l'apparecchio funzioni correttamente. Se il controllo E.S. si riattiva, far controllare l'apparecchio da un elettricista qualificato.



**UNDER VEDLIKEHOLD AV DETTE APPARATET KAN DET VÆRE NØDVENDIG Å KUTTE BUNTEBÅND FOR Å KOMME TIL OG FJERNE NOEN DELER. DISSE MÅ ERSTATTES NÅR APPARATET SETTES SAMMEN IGTEN.**

**KUN KVALIFISER PERSONELL MÅ UTFØRE VEDLIKEHOLD PÅ DENNE PEISEN. FØR DET GJØRES ARBEID PÅ APPARATET: SLÅ AV APPARATET OG TA UT STRØMFORSYNINGEN SLIK AT DET IKKE FINNES NOE STRØM TIL APPARATET.**

- 1.1 Vent minst 10 minutter til peisen har kjølt seg ned.
- 1.2 **Bytte av batteri på fjernkontroll**  
Bytt ut med et AAA-batteri. Forsikre deg om at batteriet er montert korrekt i fjernkontrollen.
- 1.3 **Vedlikehold av motorer**  
Motoren til viften og flammeeffekten er forhåndssmurt for å forlenge lagrenes levetid og trenger derfor ikke smøres. Periodisk rengjøring/støvsuging av viften/peisen anbefales imidlertid.
- 1.4 **Tilbakestilling av termisk sikringsautomat**  
Peisen er utstyrt med en elektronisk sikkerhetskontroll (E.S.). Dette er en sikkerhetsanordning som slår av flammen dersom peisen av en eller annen grunn blir overopphetet, f.eks. ved tildekking.

Dersom peisen slutter å fungere mens flammeeffekten fortsetter som normalt, betyr det at E.S.-kontrollen er i drift.

E.S.-kontrollen kan bare tilbakestilles etter at peisen er nedkjølt. Tilbakestill E.S.:  
Slå av peisen (med den manuelle Av/På-bryteren) og la peisen stå i 120 minutter.  
Fjern eventuelle hindringer i avløpet for viftevarmeren eller andre indre deler.  
Slå på peisen, og E.S.-kontrollen vil tilbakestilles. Forsikre deg om at peisen fungerer korrekt. Dersom E.S.-kontrollen slår inn igjen, bør peisen sjekkes av en fagkyndig elektriker.



**PODCZAS WYKONYWANIA PRAC SERWISOWYCH W TYM URZĄDZENIU MOŻE BYĆ KONIECZNE PRZECIĘCIE OPASEK KABLI, ABY UZYSKAĆ DOSTĘP DO NIEKTÓRYCH CZĘŚCI PRZED ICH WYJĘCIEM. NALEŻY JE ZAŁOŻYĆ PODCZAS PONOWNEGO MONTAŻU URZĄDZENIA.**

**URZĄDZENIE MOŻE BYĆ SERWISOWANE WYŁĄCZNIE PRZEZ OSOBĘ O ODPWIEDNIACH KWALIFIKACJACH. CZYNNOŚCI PRZED ROZPOCZĘCIEM PRACY PRZY URZĄDZENIU: WYŁĄCZYĆ URZĄDZENIE I ODŁĄCZYĆ ZASILANIE I UPEWNIĆ SIĘ, ŻE ZASILANIE NIE JEST DOPROWADZANE DO URZĄDZENIA.**

- 1.1 Odczekać co najmniej 10 minut do obniżenia temperatury urządzenia.
- 1.2 **Wymiana baterii pilota**  
Należy wymienić baterię (2x AAA) i upewnić się, że jest ona poprawnie zainstalowana w pilocie sterowania.
- 1.3 **Konserwacja silników**  
Silniki wentylatora i efektu płomienia są wstępnie smarowane i nie wymagają dodatkowego smarowania łożysk. Zalecane jest okresowe czyszczenie/odkurzanie wentylatora/elementu grzejnego.
- 1.4 **Resetowanie wyłącznika termicznego**  
Urządzenie jest wyposażone w elektroniczne urządzenie ochronne. Wyłącza ono element grzejny w przypadku przegrzania urządzenia, np. na skutek zakrycia.

Jeżeli praca elementu grzejnego jest zatrzymywana, a efekt płomienia nadal działa, urządzenie ochronne zostało załączone. Urządzenie ochronne może być zresetowane po obniżeniu temperatury urządzenia.  
Resetowanie urządzenia ochronnego:  
Wyłączyć urządzenie (wyłącznik główny) i pozostawić na około 120 minut.  
Usunąć przedmioty blokujące wylot wentylatora elementu grzejnego lub inne wewnętrzne podzespoły.  
Włączenie urządzenia spowoduje zresetowanie urządzenia ochronnego. Sprawdzić, czy urządzenie pracuje prawidłowo. Jeżeli urządzenie ochronne zadziała ponownie, wymagany jest przegląd urządzenia przez osobę wykwalifikowaną.



## 1. Mantenimiento/ Onarım Kuralları



**DURANTE LA REPARACIÓN DE ESTE APARATO, PODRÍA TENER QUE CORTAR BRIDAS DE CABLES PARA PONER ACCEDER A ALGUNAS PIEZAS PARA SU DESMONTAJE. LAS BRIDAS SE DEBERÁN VOLVER A COLOCAR CUANDO SE INSTALE DE NUEVO EL APARATO.**

**ESTE APARATO SOLAMENTE DEBE REPARARLO UNA PERSONA DEBIDAMENTE ACREDITADA.**

**ANTES DE REALIZAR TAREAS CON EL APARATO: APAGUE EL APARATO Y RETIRE LA FUENTE DE ALIMENTACIÓN PARA ASEGURAR QUE EL APARATO NO CUENTA CON ALIMENTACIÓN ELÉCTRICA.**

- 1.1 Espere al menos 10 minutos hasta que se haya enfriado el aparato.
- 1.2 **Sustitución de la pila del mando a distancia**  
Sustituir por 2 pilas AAA. Asegúrese de que la pila se encuentra correctamente instalada en el mando a distancia.
- 1.3 **Mantenimiento de los motores**  
Los motores empleados en el ventilador y en el efecto de llama vienen ya engrasados para prolongar su vida útil y no requieren volver a ser engrasados. Sin embargo, si se recomienda la limpieza o aspirado periódicos de la unidad del ventilador/ calefactor.
- 1.4 **Reinicio del interruptor térmico de protección**  
El aparato dispone de un control electrónico de seguridad. Se trata de un dispositivo de seguridad que desconecta la estufa en caso de que el aparato se sobrecaliente por cualquier razón, como por ejemplo al cubrirse.
- Si el calefactor deja de funcionar mientras continua con normalidad el efecto de llama, es un indicador de que el control de seguridad se ha activado.  
Este control solamente puede reiniciarse una vez que el aparato se ha enfriado.  
Para reiniciar el control de seguridad:  
Desconecte el aparato (interruptor encendido/apagado manual) y espere unos 120 minutos.  
Elimine cualquier obstrucción en la salida del ventilocalefactor u otras piezas internas.  
Encienda el aparato y el control de seguridad se reiniciará.  
Compruebe que el aparato funciona con normalidad. Si el control de seguridad se activa de nuevo, el aparato deberá ser revisado por un electricista cualificado.

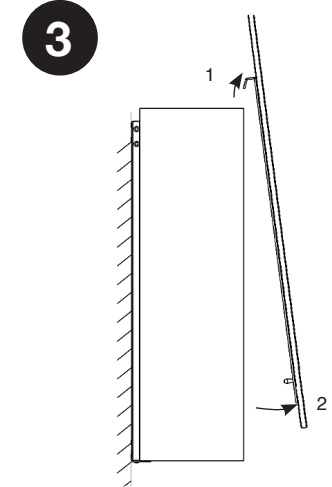
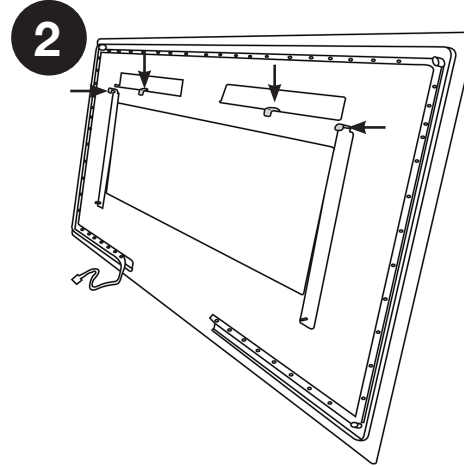
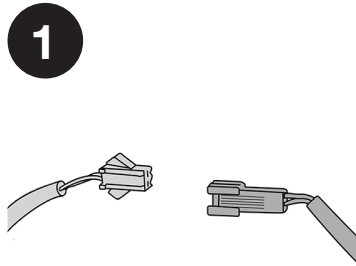
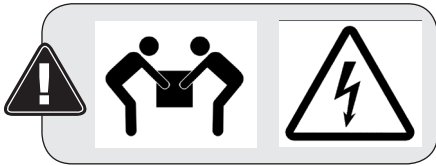


**CIHAZIN BAKIMI SIRASINDA BAZI PARÇALARA ERIŞİM SAĞLANABİLMESİ İÇİN BAZI KABLO BAĞLARININ KESİLMESİ GEREKEBİLİR. BU KABLORLAR CIHAZ YENİDEN TOPLANDIĞINDA DEĞİŞTİRİLMELİDİR.**

**BU CIHAZIN ONARIMI UYGUN NİTELİKLERE SAHİP BİR KİŞİ TARAFINDAN YAPILMALIDIR. CIHAZ ÜZERİNDE HERHANGİ BİR İŞLEM GERÇEKLEŞTİRMEYEN ÖNCE: CIHAZI KAPATIN VE CIHAZDA ELEKTRİK BULUNMADIĞINDAN EMİN OLARAK GÜÇ BESLEMESİNİ İZOLE EDİN.**

- 1.1 **Cihazın soğuması için en az 10 dakika bekleyin.**
- 1.2 **Uzaktan Kumanda El Aygıtı pilinin değiştirilmesi**  
Pilleri değiştirin (2 x AAA). Pillerin uzaktan kumandaya doğru şekilde takıldığından emin olun.
- 1.3 **Motorların Bakımı**  
Fan ve alev efektlerinde kullanılan motorlar yatak ömrünü uzatmak amacıyla önceden yağlanmış ve ek olarak yağlanmalarına gerek yoktur. Ancak, fan/ısıtıcı ünitesinin periyodik aralıklarla temizlenmesi/vakumlanması tavsiye edilir.
- 1.4 **Termal Emniyet Şalteri Anahtarının Baştaki Konumuna Getirilmesi**  
Cihaza Elektronik Emniyet Kontrolü (EEK) takılmıştır. Bu yalnızca, herhangi bir sebeple -mesela üstünün örtülmesi- cihazın aşırı ısınması halinde ısıyı kapatan bir emniyet mekanizmasıdır.
- Alev efekti normal olarak çalışmaya devam ederken ısıtıcı durmuşsa EEK devrede demektir.  
EEK ancak cihaz soğuduktan sonra baştaki konumuna getirilebilir.  
EEK'yi eski konumuna getirmek için:  
Cihazı kapatın (ayırıcı ile) ve yaklaşık 120 dakika bekleyin.  
Fan ısıtıcısı çıkışını veya diğer dâhili parçaları tıkayan şeyleri çıkarın.  
Cihazı çalıştırdığınızda EEK eski konumuna gelecektir. Cihazın düzgün bir şekilde işlediğinden emin olun. EEK tekrar devreye girse cihaz yetkililer bir Elektrikçiye gösterilmelidir.

2. Removing the Decorative Front/ Démontage du Cadre décoratif/ Verwijderen decoratieve voorzijde/ Togliere le parti anteriori decorative/  
Fjerning av dekorative fronten/ Usuwanie przedniej Dekoracyjnej/ Cómo desmontar los paneles decorativos delanteros/ Camı çıkarma

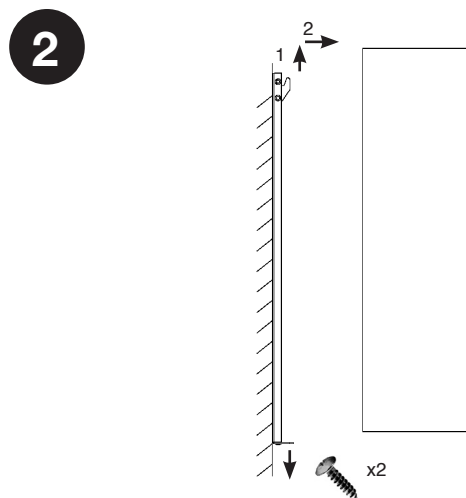
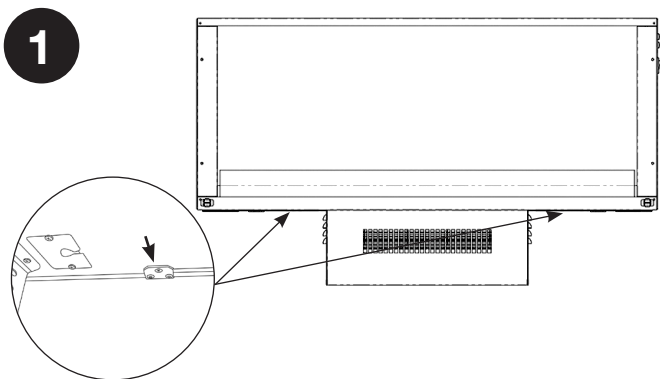


### 3. Wall Mounted Installation/ Installation pour un montage mural/ Wandgemonteerde installatie/ Montato a parete/ Veggmontert installasjon/ Montowanie na ścianie/ Montaje en pared/ Duvara montaj

**i** EN: Follow section 2  
FR: Suivez la section 2  
NL: Volg sectie 2  
IT: Segui la sezione 2  
NO: Følg avsnitt 2  
ES: Siga la sección 2  
PL: Wykonaj rozdział 2  
TR: 2. bölümü takip et

**i** EN: Remove the decorative fuel effect from the fuel bed.  
Note: When replacing the fuel effect ensure that it is evenly spread across the fuel bed.  
Stone Effect only: Randomly space the clear effect throughout the fuel bed.  
FR: Retirer l'effet combustible décoratif du lit de combustible.  
Remarque : Lors de la réinstallation de l'effet combustible, s'assurer qu'il soit réparti de façon homogène sur le lit de combustible.  
Effet à pierres uniquement : Répartir l'effet transparent de façon aléatoire sur l'ensemble du lit de combustible.  
NL: Verwijder het decoratieve brandstofeffect van het brandstofbed.  
Verspreid de decoratieve stenen gelijk over het brandstofbed.  
Alleen steeneffect: Verdeel het transparante effect willekeurig over het brandstofbed.  
Het is niet nodig om al het meegeleverde effect te gebruiken.  
IT: Togliere l'effetto combustibile decorativo dal crogiolo di combustione.  
Nota: Quando si sostituisce l'effetto combustibile, assicurarsi che sia sparso in maniera omogenea nel crogiolo di combustione.  
Solo per l'effetto pietra: Sparpagliare a caso l'effetto chiaro in tutto il crogiolo di combustione.

**NO:** Fjern den dekorative brenseffekten fra brennkammeret.  
Merk: Ved bytte av drivstoff effekt sikre at det blir jevnt fordelt over hele drivstoff seng.  
Kun for steineffekt: Spre den gjennomsiktige effekten tilfeldig utover brennkammeret.  
**PL:** Wyjąć efekt dekoracyjnego paliwa z paleniska.  
Uwaga: Podczas ponownego zakładania efektu paliwa należy się upewnić, że jest on równomiernie rozłożony wzdłuż paleniska.  
Tylko efekt kamienia: Efekt rozmieścić dowolnie w palenisku.  
**ES:** Quite el efecto decorativo de combustible del lecho de combustible.  
Nota: Al reponer el efecto de combustible, compruebe que está distribuido por igual por todo el lecho de combustible.  
Sólo modelos con efecto piedra: Coloque de forma aleatoria el efecto transparente por el lecho de combustible.  
**TR:** Dekoratif yakıt efektini yakıt yatağından alın.  
Dikkat: Yakıt efektini yerleştirirken yakıt yatağına eşit olarak yayıldığından emin olun.  
Sadece Taş Efekt: Şeffaf efekti yakıt yatağına rastgele aralıklarla yayın.

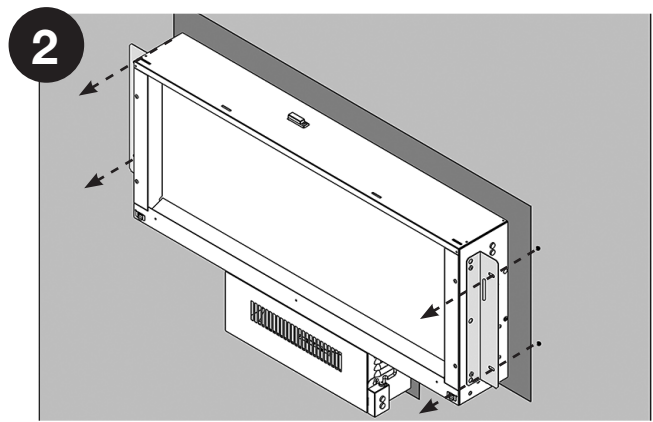
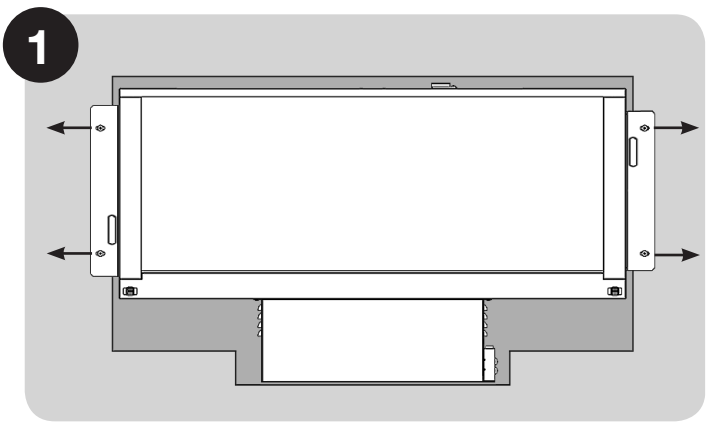


4. Semi Recessed Installation/ Installation Semi-intégrée/ Semi-ingebouwde installatie/ Installazione semi-incassata/ Delvis innfelt montering/  
Instalacja częściowo wpuszczana/ Instalación semiempotrada/ Yarı gömülü montaj

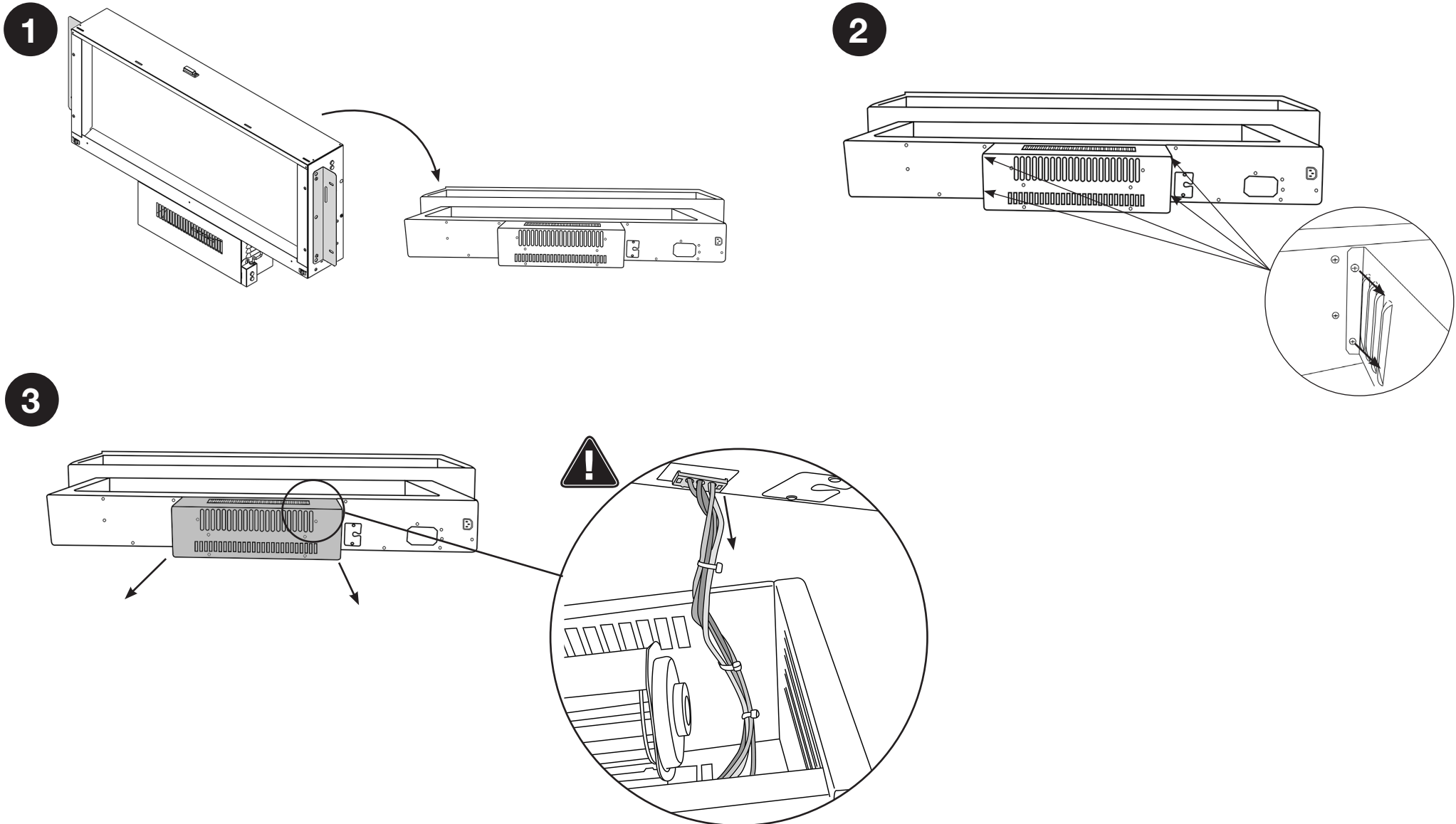
**i** EN: Follow section 2  
FR: Suivez la section 2  
NL: Volg sectie 2  
IT: Segui la sezione 2  
NO: Følg avsnitt 2  
ES: Siga la sección 2  
PL: Wykonaj rozdział 2  
TR: 2. bölümü takip et

**i** EN: Remove the decorative fuel effect from the fuel bed.  
Note: When replacing the fuel effect ensure that it is evenly spread across the fuel bed.  
Stone Effect only: Randomly space the clear effect throughout the fuel bed.  
FR: Retirer l'effet combustible décoratif du lit de combustible.  
Remarque : Lors de la réinstallation de l'effet combustible, s'assurer qu'il soit réparti de façon homogène sur le lit de combustible.  
Effet à pierres uniquement : Répartir l'effet transparent de façon aléatoire sur l'ensemble du lit de combustible.  
NL: Verwijder het decoratieve brandstofeffect van het brandstofbed.  
Verspreid de decoratieve stenen gelijk over het brandstofbed.  
Alleen steeneffect: Verdeel het transparante effect willekeurig over het brandstofbed.  
Het is niet nodig om al het meegeleverde effect te gebruiken.  
IT: Togliere l'effetto combustibile decorativo dal crogiolo di combustione.  
Nota: Quando si sostituisce l'effetto combustibile, assicurarsi che sia sparso in maniera omogenea nel crogiolo di combustione.  
Solo per l'effetto pietra: Sparpagliare a caso l'effetto chiaro in tutto il crogiolo di combustione.

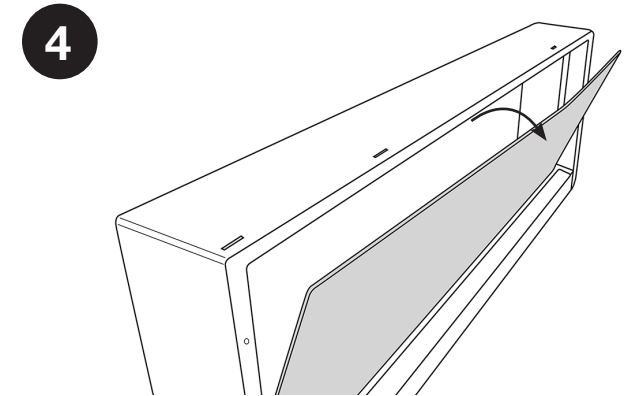
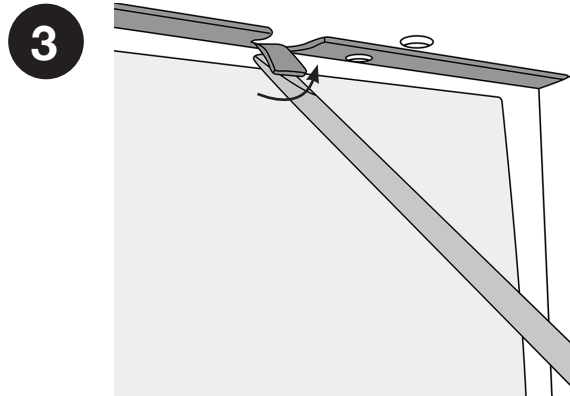
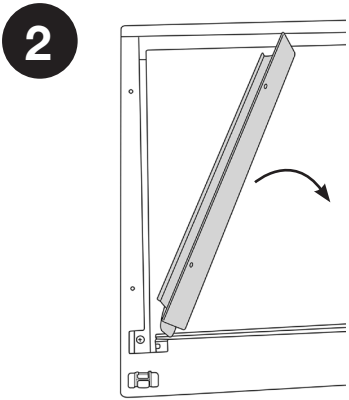
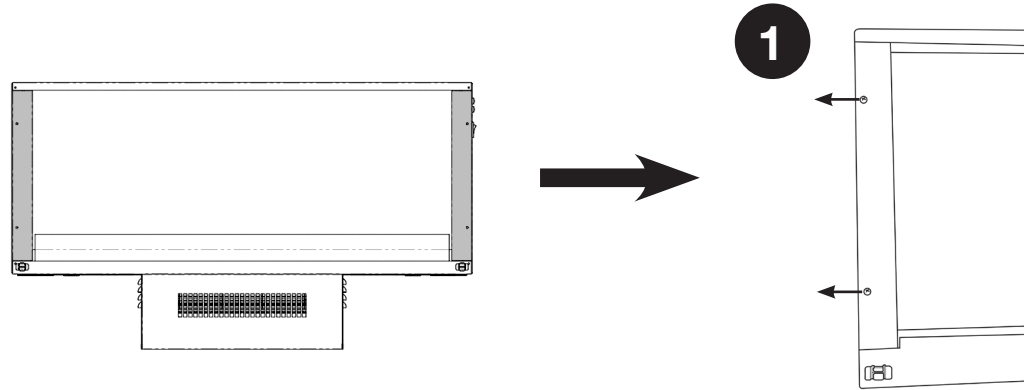
**NO:** Fjern den dekorative brenseffekten fra brennkammeret.  
Merk: Ved bytte av drivstoff effekt sikre at det blir jevnt fordelt over hele drivstoff seng.  
Kun for steineffekt: Spre den gjennomsiktige effekten tilfeldig utover brennkammeret.  
**PL:** Wyjąć efekt dekoracyjnego paliwa z paleniska.  
Uwaga: Podczas ponownego zakładania efektu paliwa należy się upewnić, że jest on równomiernie rozłożony wzdłuż paleniska.  
Tylko efekt kamienia: Efekt rozmieścić dowolnie w palenisku.  
**ES:** Quite el efecto decorativo de combustible del lecho de combustible.  
Nota: Al reponer el efecto de combustible, compruebe que está distribuido por igual por todo el lecho de combustible.  
Sólo modelos con efecto piedra: Coloque de forma aleatoria el efecto transparente por el lecho de combustible.  
**TR:** Dekoratif yakıt efektini yakıt yatağından alın.  
Dikkat: Yakıt efektini yerleştirirken yakıt yatağına eşit olarak yayıldığından emin olun.  
Sadece Taş Efektli: Şeffaf efekti yakıt yatağına rastgele aralıklarla yayın.



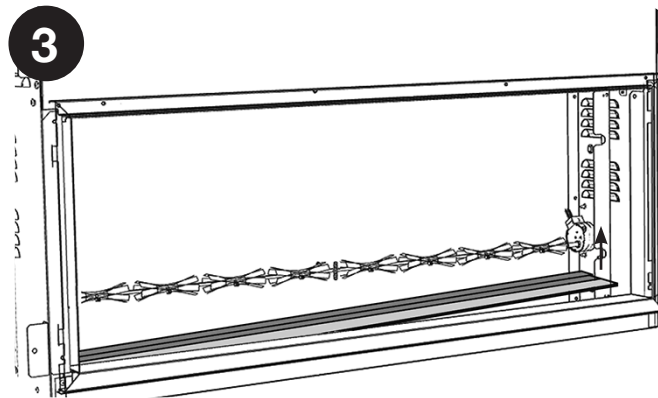
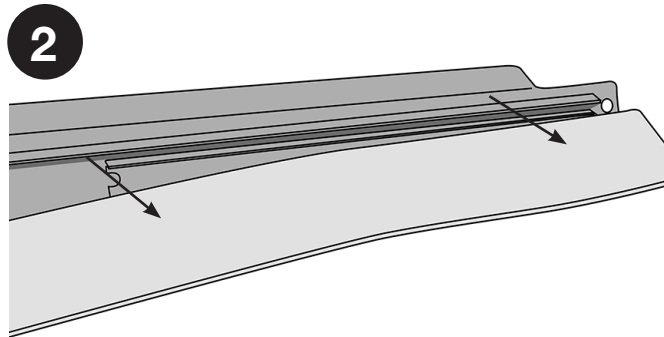
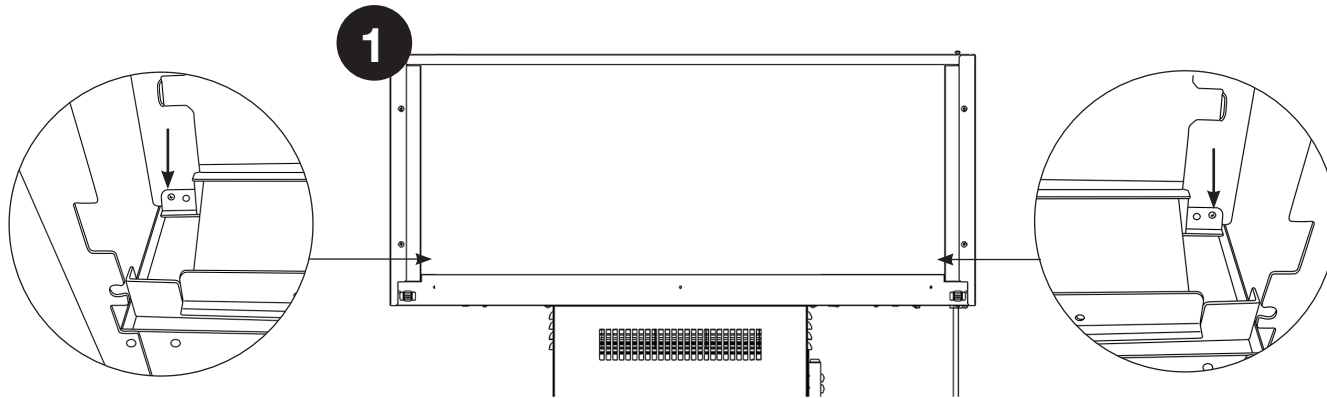
5. Removing the Heater Unit/ Remplacement De L'élément Chauffant/ Het Verwarmingselement Vervangen/ Sostituzione dell'elemento di riscaldamento/  
Bytte Ut Varmeelementet/ Wymiana zespołu grzejnego/ Sustitución De La Pieza Calefactora/ Isitici Ünitesinin Cihazdan Ayrılması



6. Removing the Screen/ Enlèvement Des Écran/ Scherm Verwijderen/ Rimozione Degli Schermo/ Fjerne Skjerm/ Demontaž ekran/ Extracción De Las Pantalla/  
Ekranın Cihazdan Ayrılması



7. Removing the Fuel Bed/ Retrait Du Lit De Combustible/ Verwijdering van de brandstof bed/ Togliere il crogiolo di combustione/ Fjerning Av Brenselseng/  
Wymowanie paleniska/ Cómo desmontar el lecho de combustible/ Yakıt Yatağının Cihazdan Ayrılması



**EN: IMPORTANT:** When replacing the screen the side with the matt finish must face towards the front of the appliance.

**FR: IMPORTANT :** Lors de la réinstallation de l'écran, le côté mat doit faire face à l'avant de l'appareil.

**NL: BELANGRIJK:** Bij het terugplaatsen van het scherm moet de zijkant met de matte afwerking richting de voorzijde van het apparaat wijzen.

**IT: IMPORTANTE:** Quando si rimette lo schermo, il lato con la rifinitura opaca deve essere rivolto verso la parte anteriore dell'apparecchio.

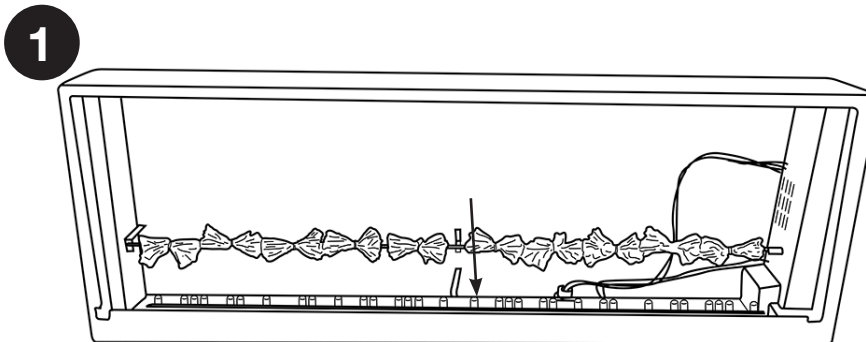
**NO: VIKTIG:** Når du setter inn skjermen må den matte siden være mot framsiden av apparatet.

**ES: IMPORTANTE:** Al reponer la pantalla, el lado con el acabado mate debe quedar hacia la parte delantera del aparato.

**PL: WAŻNE:** Podczas wymiany ekranu strona z matowym wykończeniem musi być skierowana w stronę przodu urządzenia.

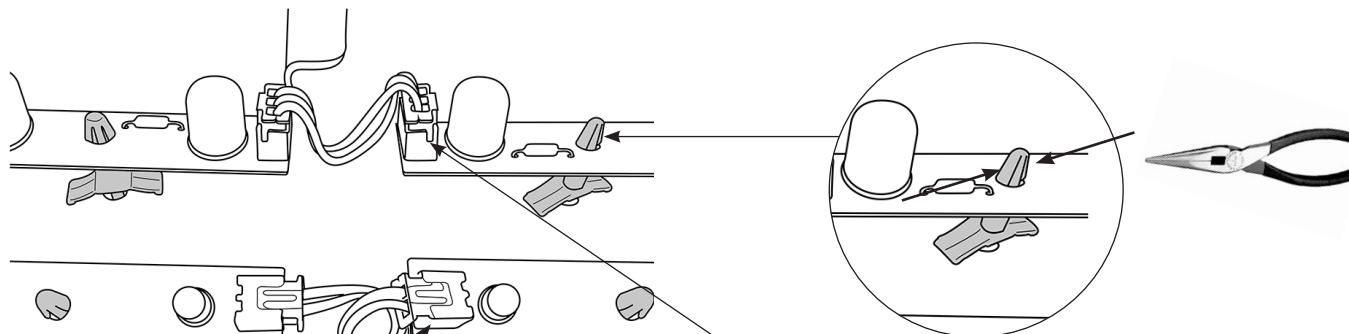
**TR: ÖNEMLİ:** Ekranı yeniden monte ederken mat yüzeyli tarafın öne bakması gerektiğini göz önünde bulundurun.

8. Replacing the LED boards/ Remplacement des panneaux à LED/ Vervangen van de LED-borden/ Sostituzione dei pannelli di LED/ Utskiifting av LED-kort/  
Ponowne zakładanie płyt z diodami LED/ Montaje de las placas LED/ LED Kartlarının Değiştirilmesi

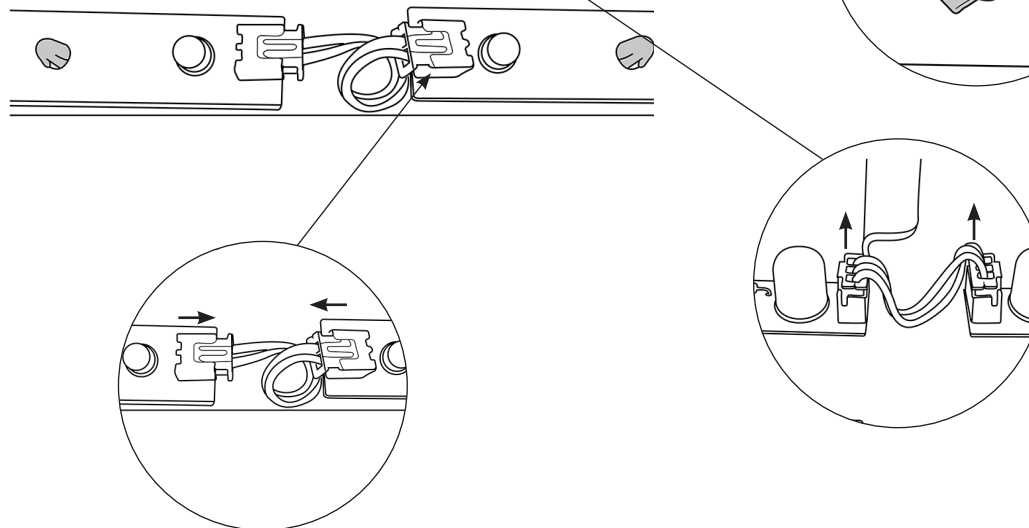


**2**

EN: Rear Effect LEDs  
FR: LED d'effet arrière  
NL: LED's achterste effecten  
IT: LED effetti posteriori  
NO: Bakgrunnseffekt-LED  
PL: Tyłne diody LED efektu  
ES: Diodos LED de efecto traseros  
TR: Arka Efekt LED'leri

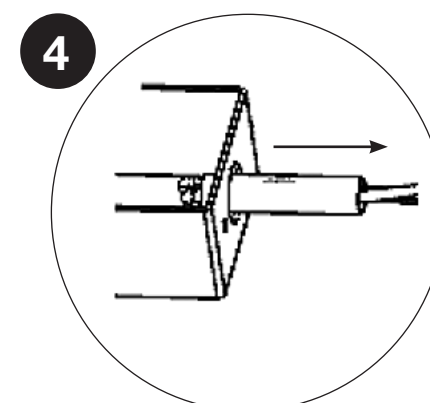
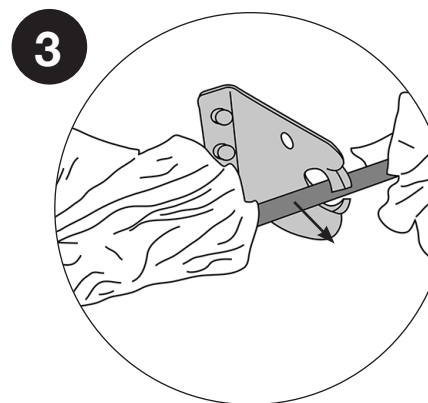
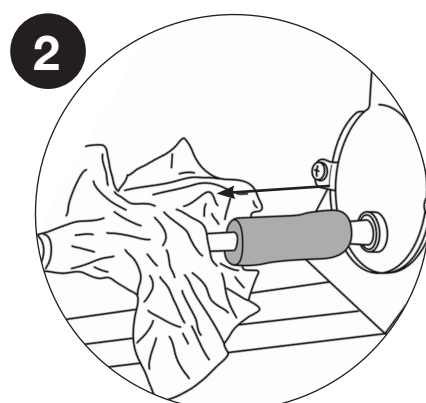
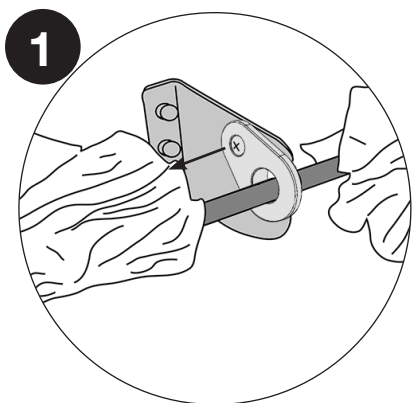
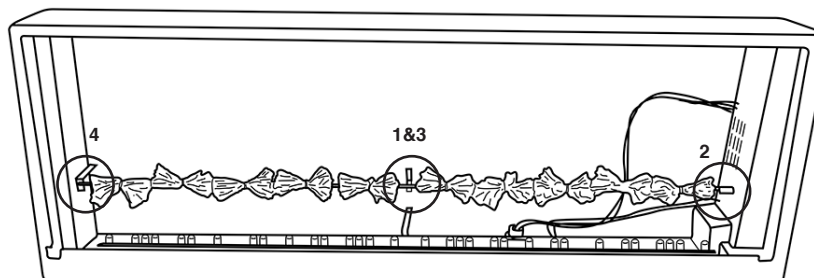


EN: Front Fuel Bed LEDs  
FR: LED du lit de combustible avant  
NL: LED's voorste brandstofbed  
IT: LED anteriori del crogiolo di combustione  
NO: Framre brennkammer-LED  
PL: Przednie diody LED paleniska  
ES: Diodos LED de lecho de combustible delanteros  
TR: Ön Yakıt Yatağı LED'leri



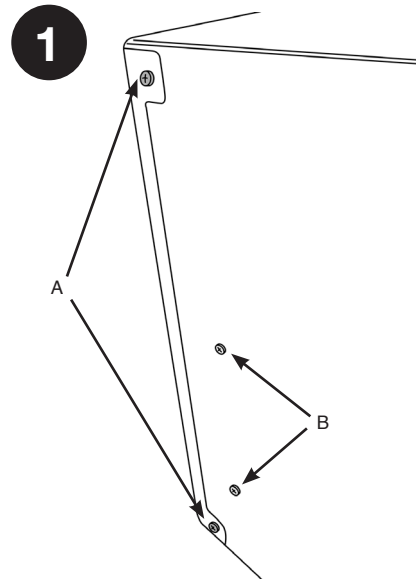


9. Removing the Effects Spindle/ Remplacement de l'axe des effets/ Terugplaatsen van de effectenas/ Sostituzione dell'asse degli effetti/ Utskifting av effekthjul/  
Ponowne wkładanie trzpienia obrotowego efektów/ Montaje del eje de efectos/ Efekt Milinin Değiştirilmesi



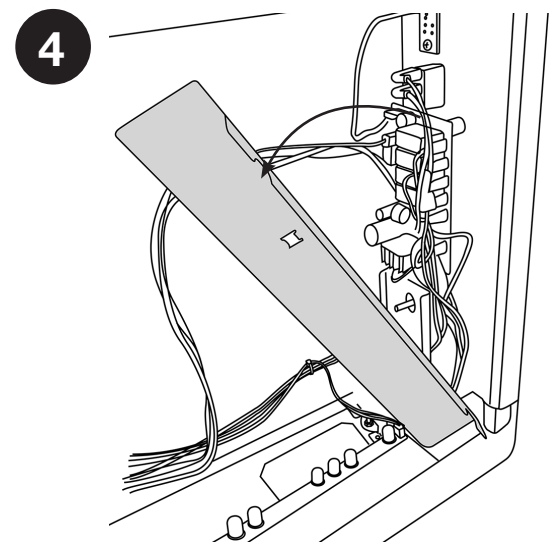
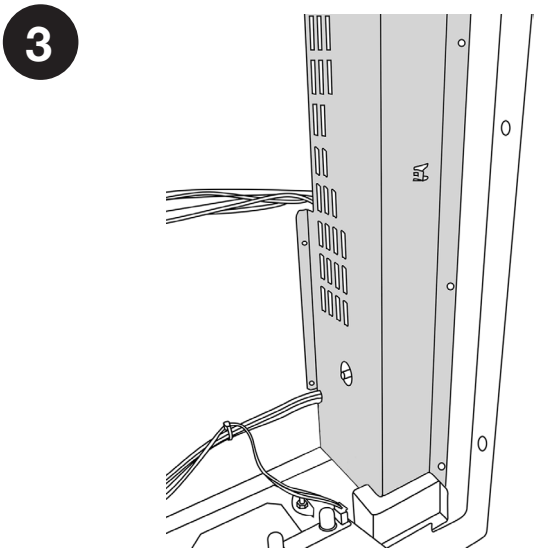
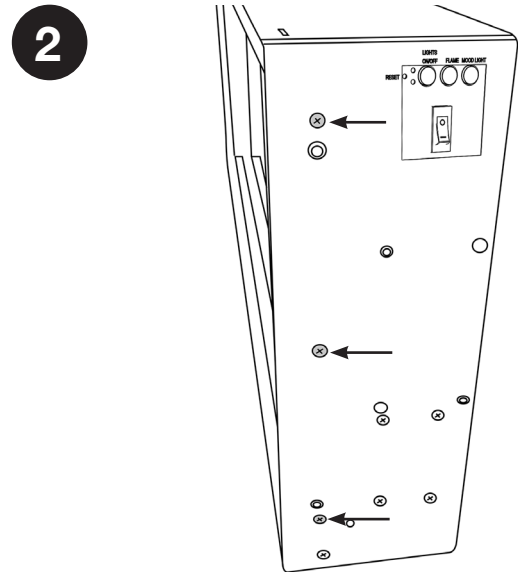
10. Accessing the Electronics/ Accéder aux pièces électroniques/ Toegang tot de elektronica/ Accedere all'elettronica/ Adkomst til elektronikken/  
Dostęp do części elektronicznych/ Acceso a los componentes electrónicos/ Elektronik Bileşenlere Erişim

**i** EN: Follow section 3/4  
FR: Suivez la section 3/4  
NL: Volg sectie 3/4  
IT: Segui la sezione 3/4  
NO: Følg avsnitt 3/4  
ES: Siga la sección 3/4  
PL: Wykonaj rozdział 3/4  
TR: 3/4. bölümü takip et

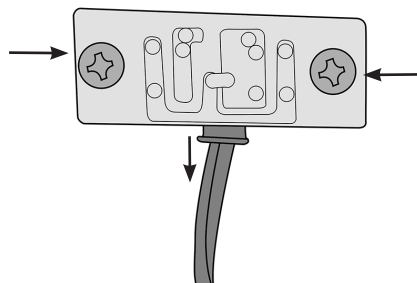


**A - Wall Mounted Only**  
Montage mural uniquement  
Alleen voor Wandgemonteerde installatie  
Solo per montato a parete  
Kun for veggmontert  
Tylko w przypadku montowania na ścianie  
Sólo modelos de montaje en pared  
Duvara Monte Edilmiş Cihazlarda

**B - All Models**  
Tous les modèles  
Alle modellen  
Tutti i modelli  
Alle modeller  
Wszystkie modele  
Todos los modelos  
Tüm Modeller

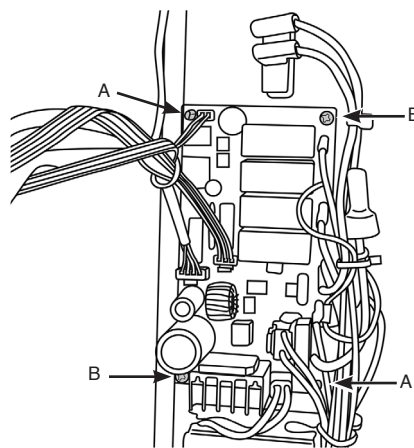


11. Replacing the Manual Control Board/ Remplacement du tableau de commande manuelle/ Terugplaatsen van het handmatige bedieningspaneel/  
 Sostituzione del pannello di controllo manuale/ Utskifting av det manuelle kontrollkortet/ Ponowne zakładanie płyty z regulatorami ręcznymi/  
 Sustitución de la placa de control manual/ Manuel Kontrol Kartının Değiştirilmesi



12. Replacing the Control PCB/ Remplacement de la Circuit Imprimé de contrôle/ De Besturingsprintplaat Vervangen/ Sostituzione della PCB di controllo/  
 Erstatte PCB Kontrollen/ Wymiana płytki drukowanej dla sterowania/ Montaje de la placa de circuito impreso de control/ Kontrol PCB'sinin değiştirilmesi

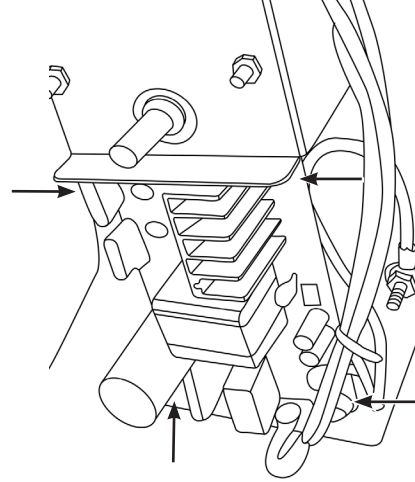
- EN:** Unscrew the 2 diagonal fixings (A) and 2 push fit fasteners (B) then carefully remove the PCB unit.
- FR:** Dévisser les deux fixations diagonales (A) et les deux raccords (B) puis retirer soigneusement l'unité du circuit imprimé.
- NL:** Draai de 2 diagonale bevestigingen (A) en 2 druksluithaken (B) los en verwijder zorgvuldig de Printplaat-eenheid.
- IT:** Svitare i 2 fissaggi diagonali (A) e i 2 fermagli a pressione (B), poi togliere con attenzione l'unità PCB.
- NO:** Skru ut de 2 diagonale festene (A) og de 2 trykkfestene (B) og fjern deretter PCB-enheten.
- PL:** Odkręcić dwa mocowania diagonalne (A) i dwa mocowania wciskane (B), a następnie ostrożnie usunąć zespół płytki obwodu drukowanego.
- ES:** Desatornille las 2 fijaciones diagonales (A) y los 2 retenes a presión (B) para seguidamente retirar poco a poco la unidad de la placa de circuito impreso.
- TR:** Odkręcić dwa mocowania diagonalne (A) i dwa mocowania wciskane (B), a następnie ostrożnie usunąć zespół płytki obwodu drukowanego.



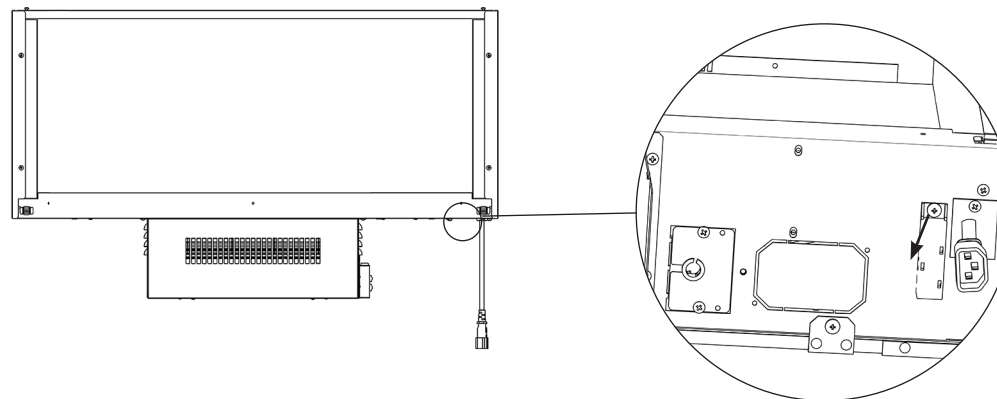
- EN:** Replace in reverse order ensuring the connections are put back in exactly the same configuration as was originally found.
- FR:** Remonter l'ensemble en sens inverse en prenant soin de bien tout reconnecter exactement comme dans la configuration d'origine.
- NL:** Plaats terug in omgekeerde volgorde, zorg dat de verbindingen in exact dezelfde configuratie worden teruggeplaatst, zoals deze oorspronkelijk waren aangebracht.
- IT:** Per riposizionare, ripetere la procedura in ordine inverso assicurandosi che i cavi vengano rimessi nella stessa esatta configurazione.
- NO:** Sett sammen igjen i motsatt rekkefølge og påse at kontaktene settes tilbake i eksakt samme konfigurasjon som de var.
- PL:** Zakładać ponownie w odwrotnej kolejności upewniając się, że połączenia są założone z powrotem w dokładnie takiej samej konfiguracji, która była na początku.
- ES:** Vuelva a instalar invirtiendo las instrucciones, de forma que las conexiones queden justo en las mismas posiciones en las que se encontraban originalmente..
- TR:** Geri monte ederken aynı adımları ters yönde izleyin ve tüm bağlantıları yine ilk bulduğunuz şekilde yaparak orijinal yapılandırmanın aynısını sağlayın.

13. Replacing the Power PCB/ Remplacement de la Circuit Imprimé de puissance/ De Vermogensprintplaat Vervangen/ Sostituzione della PCB di alimentazione/ Erstatte PCB Effekten/ Wymiana płytki drukowanej dla zasilania/ Montaje de la placa de circuito impreso eléctrico/ Güç PCB'sinin değiştirilmesi

- EN:** Remove the wires from the PCB, carefully noting the current location.  
Remove the push fit fasteners, then carefully remove the PCB unit.  
Replace in reverse order ensuring the connections are put back in exactly the same configuration as was originally found.
- FR:** Retirer les câbles du circuit imprimé en prenant soin de noter leur emplacement actuel.  
Dévisser les deux raccords puis retirer soigneusement l'unité du circuit imprimé.  
Remonter l'ensemble en sens inverse en prenant soin de bien tout reconnecter exactement comme dans la configuration d'origine.
- NL:** Verwijder de draden van de Printplaat, schrijf zorgvuldig de huidige locatie op.  
Draai de 2 druksluitingen los en verwijder zorgvuldig de Printplaat-eenheid.  
Plaats terug in omgekeerde volgorde, zorg dat de verbindingen in exact dezelfde configuratie worden teruggeplaatst, zoals deze oorspronkelijk waren aangebracht.
- IT:** Togliere i fili dal PCB, prendendo nota con attenzione della loro posizione.  
Togliere i fermagli a pressione, poi togliere con attenzione l'unità PCB.  
Per riposizionare, ripetere la procedura in ordine inverso assicurandosi che i cavi vengano rimessi nella stessa esatta configurazione.
- NO:** Fjern kablene fra PCB, og merk deg hvor de er plassert.  
Skru ut de trykkfestene, og fjern deretter PCB-enheten.  
Sett sammen igjen i motsatt rekkefølge og påse at kontaktene settes tilbake i eksakt samme konfigurasjon som de var.
- PL:** Dokładnie zanotować położenie kabli płytki obwodu drukowanego i je odłączyć.  
Odkręcić dwa mocowania wciskane, a następnie ostrożnie usunąć zespół płytki obwodu drukowanego.  
Zakładać ponownie w odwrotnej kolejności upewniając się, że połączenia są założone z powrotem w dokładnie takiej samej konfiguracji, która była na początku.
- ES:** Quite los cables de la placa de circuitos impresos, prestando atención a las posiciones en las que están conectados.  
Desatornille los retenes a presión, para seguidamente retirar poco a poco la unidad de la placa de circuito impreso.  
Vuelva a instalar invirtiendo las instrucciones, de forma que las conexiones queden justo en las mismas posiciones en las que se encontraban originalmente.
- TR:** PCB'nin üzerindeki kabloları sökün ve kartın yerini unutmayın.  
Karşılıklı köşelerde bulunan 2 sabitleme elemanını sökün ve ardından PCB birimini dikkatlice yerinden çıkarın.  
Geri monte ederken aynı adımları ters yönde izleyin ve tüm bağlantıları yine ilk bulduğunuz şekilde yaparak orijinal yapılandırmanın aynısını sağlayın.



14. Replacing the RF Receiver/ Remplacement du Récepteur RF/ De RF ontvanger vervangen/ Sostituzione del ricevitore RF/ Erstatte RF Mottakeren/  
Wymiana odbiornika RF (częstotliwość radiowa)/ Montaje del receptor de RF/ RF Alıcısının deđiştirilmesi



**EN:** Slide the RF Receiver forward and lower out of its location.

Disconnect to remove.

Replace in reverse order.

**FR:** Faites glisser le Récepteur RF vers l'avant et vers le bas de son emplacement.

Débranchez avant de le retirer.

Remettre les pièces en place en ordre inverse.

**NL:** Schuif de RF ontvanger naar voren en haal van zijn plek.

Ontkoppel om te verwijderen.

Refit in omgekeerde volgorde.

**IT:** Far scorrere in avanti il ricevitore RF e abbassarlo.

Scollegarlo e rimuoverlo.

Riassemblare seguendo l'ordine inverso.

**NO:** Skyv RF Mottakeren forover og lavere ut av dens posisjon.

Koble fra for å fjerne den.

Sett tilbake i omvendt rekkefølge.

**PL:** Przesunąć odbiornik RF z jego pierwotnego miejsca do przodu i na dół.

Odłączyć przed usunięciem.

Ponownie włożyć w odwrotnej kolejności.

**ES:** Deslice el receptor de RF hacia adelante y hacia abajo fuera de su ubicación.

Desconecte para extraer.

Seguir el orden inverso para volver a colocar.

**TR:** RF Alıcısını bulunduđu yerde ileri ve ađađı dođru kaydırın.

Çıkarmak için bađlantısını kesin.

Yeniden monte etmek için aynı adımları ters yönde izleyin.


## 15. Pairing the Remote Control to the Appliance/ Appairer la télécommande avec l'appareil/ De afstandsbediening koppelen aan het toestel

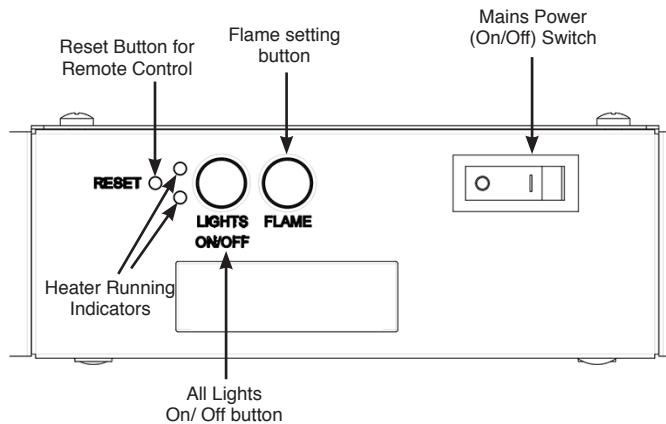
### Signal Code

The below operations should be carried out before coding when changing to a new remote or the unit cannot be controlled by the remote:

The reset button is located on the control panel located on the right-hand side of the viewing window.

- 12.1 Press the reset button for 3 seconds (a pen point may be needed) until 3 short beeps sound from the unit, release the button.

Within 10 seconds, press the  button on remote. The coding is finished when 1 long beep sounds from the unit.



**Resetting of the remote control is necessary if the appliance operates wrongly due to external interference signal and the remote control is not in use.**

Open the back cover of the Remote.

Press the Reset button for 3 seconds and reset the coding




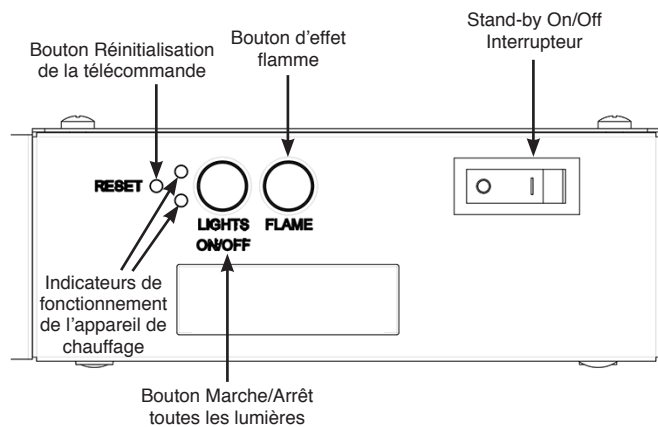
### Code de signal

Les opérations ci-dessous doivent être menées avant le codage lors du remplacement d'une télécommande ou lorsque l'unité ne peut pas être contrôlée par la télécommande :

Le bouton de réinitialisation se trouve sur le panneau de commande à droite de la fenêtre de visualisation, voir Schéma 30.

- 12.1 Appuyez sur le bouton de réinitialisation pendant 3 secondes (une pointe de stylo peut être nécessaire) l'unité émettra jusqu'à 3 bips courts, relâchez le bouton.

Au bout de 10 secondes, appuyez sur le bouton  de la télécommande. Le codage est terminé lorsque 1 long bip est émis par l'unité.



**Une réinitialisation de la télécommande est nécessaire si l'appareil fonctionne de manière anormale en raison d'interférences causées par un signal externe et si la télécommande n'est pas utilisée.**

Ouvrez le couvercle arrière de la télécommande.

Appuyez sur le bouton de réinitialisation pendant 3 secondes et réinitialisez le codage.



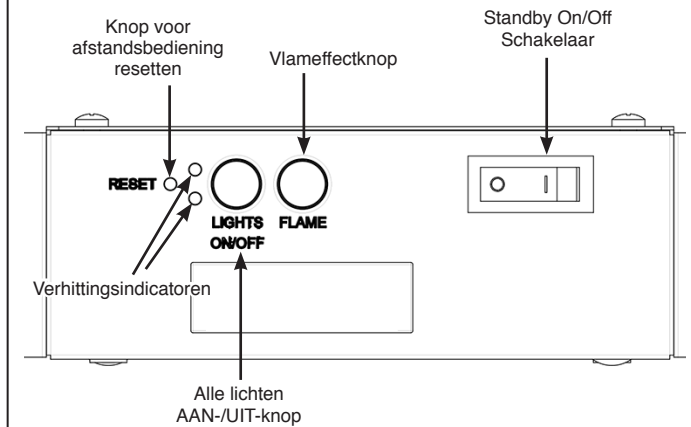
### Signaalcode

De handelingen hieronder moeten worden uitgevoerd vóór codering wanneer wordt overgegaan op een nieuwe afstandsbediening; anders zal de eenheid niet kunnen worden bestuurd door de afstandsbediening:

De resetknop bevindt zich op het bedieningspaneel aan de rechterkant op het kijkscherm, zie Afbeelding 30.

- 12.1 Druk op de resetknop voor 3 seconden (wellicht m.b.v. een penpunt) totdat 3 korte piepen klinken vanuit de eenheid, en laat de knop vervolgens los.

Druk binnen 10 seconden op de -knop op de afstandsbediening. De codering is voltooid wanneer 1 lange piep vanuit de eenheid klinkt.



**Het nodig is om de afstandsbediening te resetten als het toestel op onjuiste wijze werkt ten gevolge van een extern interferentiesignaal wanneer de afstandsbediening niet gebruikt wordt.**

Open de achterkant van de afstandsbediening.

Houd de resetknop voor 3 seconden ingedrukt en reset decoding,




## 15. Accoppiamento telecomando apparecchio/ Sammenkoble fjernkontrollen/ Synchronizacja pilota z urządzeniem med apparatet

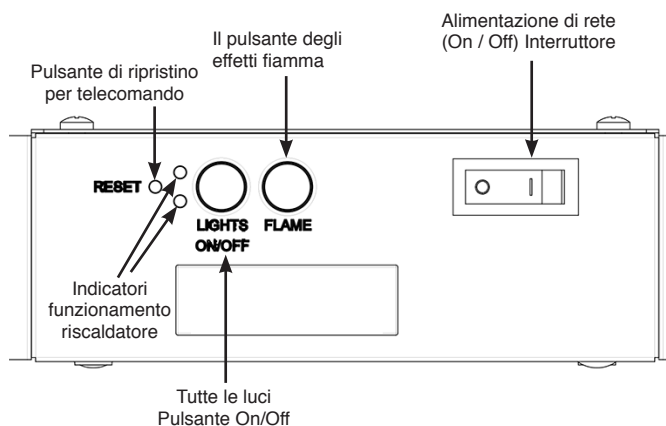
### Codice di segnale

Le seguenti operazioni devono essere eseguite prima della codifica quando si passa a un nuovo telecomando o l'unità non può essere controllata dal telecomando:

Il pulsante di ripristino si trova sul pannello di controllo situato sul lato destro della finestra di visualizzazione, vedere Figura 30.

- 12.1 Premere il pulsante di ripristino per 3 secondi (potrebbe essere necessaria una penna a sfera) finché non si sentono 3 brevi bip dall'unità, rilasciare il pulsante.

Nel giro di 10 secondi, premere il pulsante  sul telecomando. La codifica termina quando viene emesso 1 lungo bip dall'unità.



**Il ripristino del telecomando è necessario se l'apparecchio funziona in modo errato a causa di un segnale di interferenza esterno e il telecomando non è in uso.**

Aprire il coperchio posteriore del telecomando.

Premere il pulsante di ripristino per 3 secondi e ripristinare la codifica.




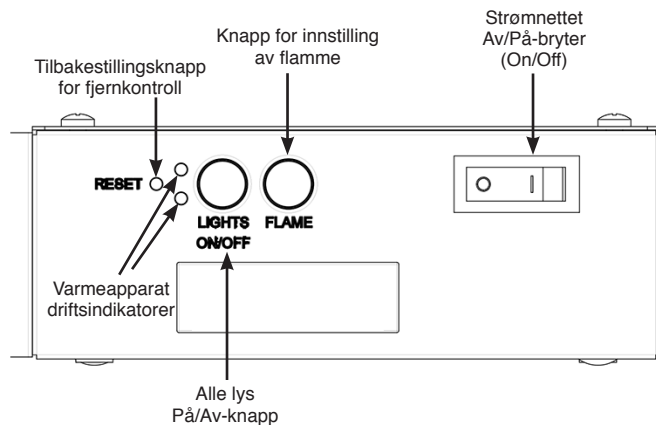
### Signalkode

Den nedenstående operasjonen skal utføres før koding når du skifter til en ny fjernkontroll eller dersom enheten ikke kan styres av fjernkontrollen:

Tilbakestillings-knappen befinner seg på kontrollpanelet som er på høyre side av vinduet, se Diagram 30.

- 12.1 Trykk på tilbakestillings-knappen i 3 sekunder (det kan hende du trenger en pennespiss) inntil 3 korte pip kan høres fra enheten, slipp knappen.

Innen 10 sekunder, trykk på knappen  på fjernkontrollen. Kodingen er fullført når 1 lang pipelyd kan høres fra enheten.



**Å tilbake stille fjernkontrollen kan være nødvendig dersom apparatet fungerer feilaktig på grunn av eksterne interferenssignaler og fjernkontrollen ikke er i bruk.**

Åpne det bakre dekslet på fjernkontrollen.

Trykk på tilbakestillings-knappen i 3 sekunder og tilbakestill kodingen.




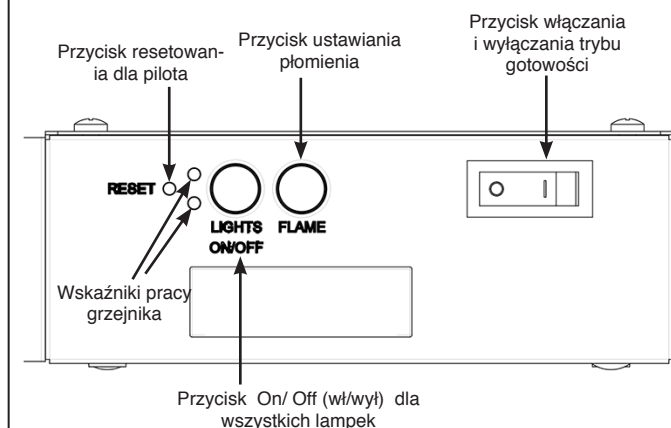
### Kod Sygnałowy

Poniższe czynności powinny być wykonane przed kodowaniem, gdy zmienia się pilota na nowy, lub gdy urządzenie nie może być sterowane pilotem:

Przycisk resetowania znajduje się na panelu sterującym umieszczonym po prawej stronie szyby zob. rysunek 30.

- 12.1 Naciskać przycisk resetowania przez 3 sekundy (może być potrzebna końcówka długopisu), aż będzie słychać 3 krótkie sygnały dźwiękowe w urządzeniu. Zwolnić przycisk.

W ciągu 10 sekund należy nacisnąć przycisk  na pilocie. Kodowanie jest zakończone, gdy 1 długi sygnał dźwiękowy będzie słyszalny w urządzeniu.



**Resetowanie pilota jest konieczne, jeżeli urządzenie pracuje nieprawidłowo z powodu zewnętrznego sygnału zakłócającego a pilot nie jest używany.**

Otworzyć tylną pokrywę pilota.

Nacisnąć przycisk resetowania przez 3 sekundy i zresetować kodowanie.




## 15. Sincronización del mando a distancia al aparato/ Uzaktan Kumandayı Cihazla Eşleştirme

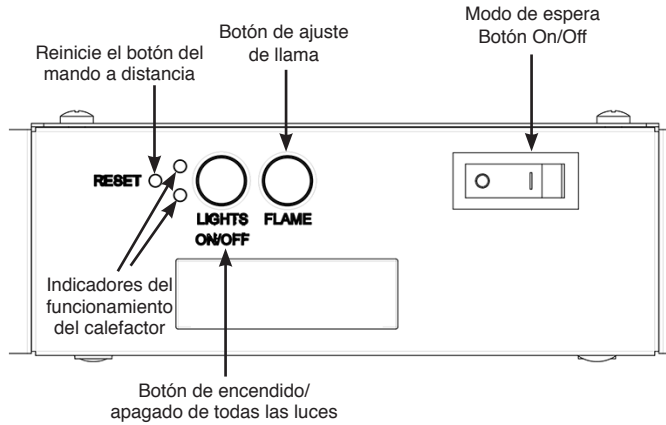
### Código de aviso

Las siguientes operaciones deben llevarse a cabo antes de codificar el nuevo mando a distancia, o la no se podrá controlar con el mando:

El botón de reinicio está situado en el panel de control a la derecha del visor, consulte el diagrama 30.

- 12.1 Pulse el botón de reinicio durante 3 segundos (puede que necesite la punta de un bolígrafo) hasta que suenen 3 pitidos cortos y luego suelte el botón.

En 10 segundos, presione el botón  en el mando a distancia. La codificación termina cuando suena un largo pitido.



El reinicio del mando es necesario si el aparato funciona incorrectamente debido a una señal de interferencia externa y el mando a distancia no está en uso.

Abra la cubierta posterior del mando.

Pulse el botón de reinicio durante 3 segundos y reinicia la codificación.




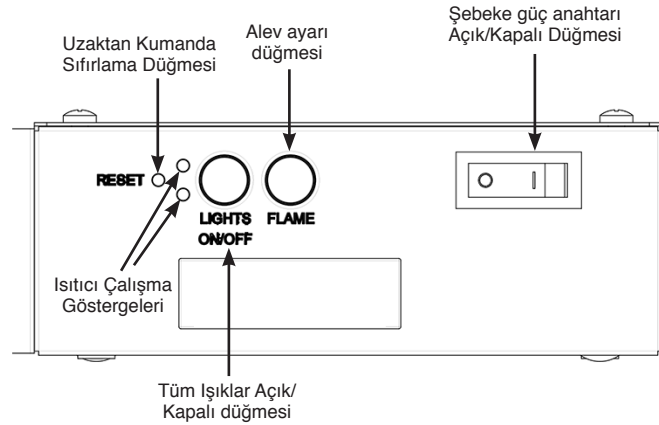
### Sinyal Kodu

Yeni bir uzaktan kumandaya değiştirirken kodlamadan önce aşağıdaki işlemler yapılmalıdır, aksi takdirde birim uzaktan kumandayla kontrol edilemez:

Sıfırlama düğmesi izleme penceresinin sağ tarafında bulunan kumanda panelinde bulunur, bkz. Şekil 30.

- 12.1 Üniteden 3 kısa bip sesi gelene kadar 3 saniye boyunca sıfırlama düğmesine (bir tükenmez kalem ucuyla basılması gerekebilir) basıp serbest bırakın.

10 saniye içinde uzaktan kumanda üzerindeki  düğmesine basın. Üniteden 1 uzun bip sesi duyulduğunda kodlama tamamlanmış olur.



Harici parazit sinyali nedeniyle cihaz yanlış çalışıyorsa ve uzaktan kumanda kullanımda değilse, uzaktan kumandanın sıfırlanması gerekir.

Uzaktan kumandanın arka kapağını açın.

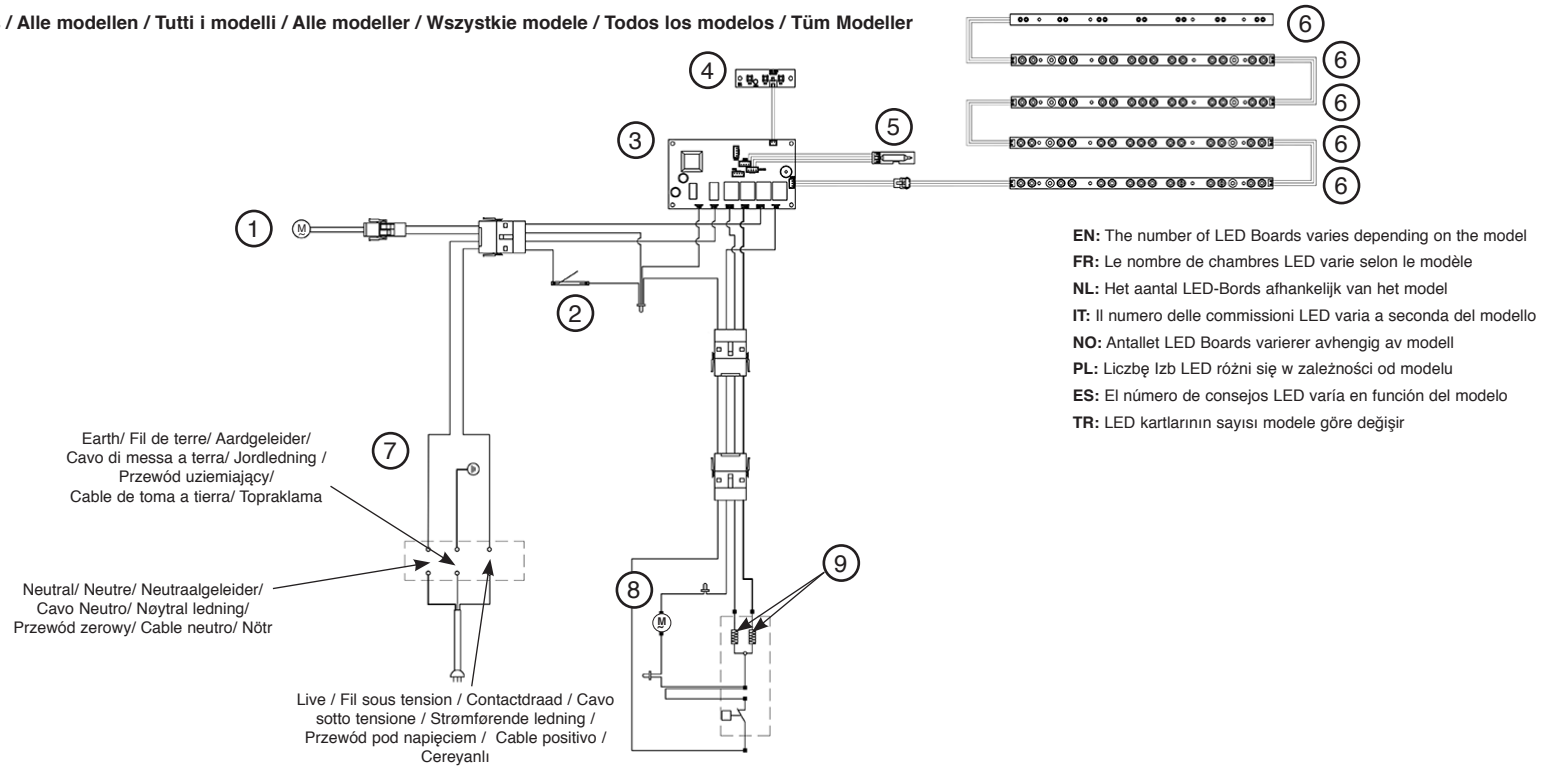
3 saniyeliliğine Reset (Sıfırlama) düğmesine basın ve kodlamayı sıfırlayın.





Wiring Diagram/ Schéma de câblage/ Bedradingschema/ Schema di cablaggio/ Koblingsdiagram/ Schemat okablowania/ Esquema De Cableado / Bağlantı Şeması

All Models / Tous les modèles / Alle modellen / Tutti i modelli / Alle modeller / Wszystkie modele / Todos los modelos / Tüm Modeller



No.	English	Français	Nederlands	Italiano	Norsk	Polskie	Español	Türk
1	Flame Effect Motor	Flamme Moteur des effets	Vlam Effectenmotor	Motore della fiamma	Flammemotor	Silnik płomienia	Motor de las llamas	Alev Efekt Motoru
2	Switch	Interrupteur	Schakelaar	Fusibile	Sikring	Bezpiecznik	Fusible	Sigorta
3	P.C.B.	P.C.B.	P.C.B.	P.C.B.	Hovedkretskort	Płytką PCB	P.C.B.	P.C.B.
4	Button Board	Panneau de boutons	Knoppenpaneel	Scheda pulsanti	Knapp-kort	Płyta z przyciskami	Placa de botones	Düğme Paneli
5	Receiver	Récepteur	Ontvanger	Ricevitore	Mottaker	Odbiornik	Receptor	Alıcı
6	LED Board	Panneau à LED	LED-paneel	Pannello di LED	LED-kort	LED	Placa LED	LED Panosu
7	Plug Connector Incoming AC Supply: 230V 50Hz	Connecteur de prise Alimentation CA; 230V 50Hz	Plugverbinding AC-voeding:230V 50Hz	Connettore della spina Alimentazione AC 230v 50Hz	Stikkontakt AC strømforsyning: 230v 50Hz	Łącznik wtyczki Zasilanie AC: Wymagane 230V 50Hz	Conector Alimentación CA: 230v 50Hz	Fiş Konektörü: AC Güç Kaynağı:230 V 50 Hz gereklidir
8	Heater Motor	Moteur du chauffage	Verhittereenheid	Motore della riscaldatore	Varme motor	Silnika grzejny	Motor de las calefactor	Isıtıcı Motoru
9	Heater element	Élément chauffant	Verwarmingselement	Elemento del riscaldatore	Varmeelement	Element grzejny	Elemento calefactor	Isıtıcı Elemanı

Information Requirement for Electric Local Space Heaters/ Informations à fournir pour un appareil de chauffage électrique localisé  
Informatie-eisen voor elektrische toestellen voor lokale ruimteverwarming

Model		Radiance Inset 50W	Radiance Inset 80W	Radiance 100W	Radiance 150W	Radiance 190W
<b>Heat Output</b> <b>Puissance calorifique</b> <b>Warmteafgifte</b>	Nominal Heat Output - $P_{nom}$ Puissance calorifique nominale - $P_{nom}$ Nominale warmteafgifte - $P_{nom}$	2.0kW	2.0kW	2.0kW	2.0kW	2.0kW
	Minimum Heat Output - $P_{min}$ Puissance calorifique minimale - $P_{min}$ Minimale warmteafgifte - $P_{min}$	1.0kW	1.0kW	1.0kW	1.0kW	1.0kW
	Maximum Continuous Heat Output - $P_{max, c}$ Sortie de chauffage constante maximum - $P_{max, c}$ Maximale continue warmteproductie - $P_{max, c}$	2.0kW	2.0kW	2.0kW	2.0kW	2.0kW
<b>Auxiliary Electricity Consumption</b>  <b>Consommation électrique auxiliaire</b>  <b>Aanvullend elektriciteitsverbruik</b>	At Nominal Heat Output - $e_{l, max}$ À la puissance calorifique nominale - $e_{l, max}$ Bij nominale warmteafgifte - $e_{l, max}$	12.5W	12.5W	12.5W	12.5W	12.5W
	At Minimum Heat Output - $e_{l, min}$ À la puissance calorifique minimale - $e_{l, min}$ Bij minimale warmteafgifte - $e_{l, min}$	12.0W	12.0W	12.0W	12.0W	12.0W
	In Standby Mode - $e_{l, sb}$ En mode veille - $e_{l, sb}$ In stand-by-modus - $e_{l, sb}$	0.49W	0.49W	0.49W	0.49W	0.49W

**Type of heat input, for electric storage local space heaters only**  
**Type d'apport de chaleur, uniquement pour les appareils de chauffage électriques localisés**  
**Type warmte-input, uitsluitend voor elektrische warmteopslagtoestellen**

Manual heat charge control, with integrated thermostat Commande manuelle de charge de chaleur avec thermostat intégré Handmatige sturing van de warmteopslag, met geïntegreerde thermostaat	No Non Nee	No Non Nee	No Non Nee	No Non Nee	No Non Nee
Manual heat charge control with room and/or outdoor temperature feedback Commande manuelle de charge de chaleur avec retour de température de la pièce et/ou extérieure Handmatige sturing van de warmteopslag, met kamer- en/of buitentemperatuurfeedback	No Non Nee	No Non Nee	No Non Nee	No Non Nee	No Non Nee
Electronic heat charge control with room and/or outdoor temperature feedback Commande électronique de charge de chaleur avec retour de température de la pièce et/ou extérieure Elektronische sturing van de warmteopslag, met kamer- en/of buitentemperatuurfeedback	No Non Nee	No Non Nee	No Non Nee	No Non Nee	No Non Nee
Fan assisted heat output Puissance calorifique assistée par ventilateur Door een ventilator bijgestane warmteafgifte	No Non Nee	No Non Nee	No Non Nee	No Non Nee	No Non Nee

\* Ikke aktuelt for Norge

\* Türkiye için geçerli değildir

<b>Type of heat output/room temperature control</b> <b>Type de puissance calorifique/régulation de température ambiante</b> <b>Type warmteafgifte/sturing kamertemperatuur</b>					
Single stage heat output and no room temperature control Puissance calorifique de niveau unique, pas de régulation de la température ambiante Eentrapswarmteafgifte, geen sturing van de kamertemperatuur	No Non Nee	No Non Nee	No Non Nee	No Non Nee	No Non Nee
Two or more manual stages, no room temperature control Au moins deux niveaux manuels, pas de régulation de la température ambiante Twee of meer handmatig in te stellen trappen, geen sturing van de kamertemperatuur	No Non Nee	No Non Nee	No Non Nee	No Non Nee	No Non Nee
With mechanic thermostat room temperature control Avec régulation de la température ambiante par thermostat mécanique Met mechanische sturing van de kamertemperatuur door thermostaat	No Non Nee	No Non Nee	No Non Nee	No Non Nee	No Non Nee
With electronic room temperature control Avec régulation électronique de la température ambiante Met elektronische sturing van de kamertemperatuur	No Non Nee	No Non Nee	No Non Nee	No Non Nee	No Non Nee
Electronic room temperature control plus day timer Avec régulation électronique de la température ambiante plus minuteur jour Met elektronische sturing van de kamertemperatuur plus dag-tijdschakelaar	No Non Nee	No Non Nee	No Non Nee	No Non Nee	No Non Nee
Electronic room temperature control plus week timer Avec régulation électronique de la température ambiante plus minuteur semaine Met elektronische sturing van de kamertemperatuur plus week-tijdschakelaar	Yes Oui Ja	Yes Oui Ja	Yes Oui Ja	Yes Oui Ja	Yes Oui Ja

<b>Other control options</b> <b>Autres options de commande</b> <b>Andere sturingsopties</b>					
Room temperature control, with presence detection Régulation de la température ambiante, avec détection de présence Sturing van de kamertemperatuur, met aanwezigheidsdetectie	No Non Nee	No Non Nee	No Non Nee	No Non Nee	No Non Nee
Room temperature control, with open window detection Régulation de la température ambiante, avec détection de fenêtre ouverte Sturing van de kamertemperatuur, met openraamdetectie	Yes Oui Ja	Yes Oui Ja	Yes Oui Ja	Yes Oui Ja	Yes Oui Ja
With distance control option Avec option de commande à distance Met de optie van afstandsbediening	No Non Nee	No Non Nee	No Non Nee	No Non Nee	No Non Nee
With adaptive start control Avec commande de mise en route adaptive Met adaptieve sturing van de start	Yes Oui Ja	Yes Oui Ja	Yes Oui Ja	Yes Oui Ja	Yes Oui Ja
With working time limitation Avec restriction de durée d'utilisation Met beperking van de werkingstijd	No Non Nee	No Non Nee	No Non Nee	No Non Nee	No Non Nee
With black bulb sensor Avec capteur bulbe noir Met black-bulbsensor	No Non Nee	No Non Nee	No Non Nee	No Non Nee	No Non Nee

<b>Contact:</b>	Gazco Ltd, Osprey Road, Sowton Industrial Estate, Exeter, EX2 7JG
-----------------	---

Informazioni obbligatorie per gli apparecchi per il riscaldamento d'ambiente locale elettrici / Wymogi w zakresie informacji dotyczące elektrycznych miejscowych ogrzewaczy pomieszczeń / Requisitos de información que deben cumplir los aparatos de calefacción local eléctricos

Model		Radiance Inset 85R	Radiance Inset 105R	Radiance Inset 135R	Radiance Inset 195R
<b>Potenza termica Moc cieplna Potencia calorífica</b>	Potenza termica nominale - $P_{nom}$ Nominalna moc cieplna - $P_{nom}$ Potencia calorífica nominal - $P_{nom}$	2.0kW	2.0kW	2.0kW	2.0kW
	Potenza termica minima (indicativa) - $P_{min}$ Minimalna moc cieplna (orientacyjna) - $P_{min}$ Potencia calorífica mínima (indicativa) - $P_{min}$	1.0kW	1.0kW	1.0kW	1.0kW
	Massima potenza termica continua - $P_{max, c}$ Maksymalna stała moc cieplna - $P_{max, c}$ Potencia calorífica máxima continuada - $P_{max, c}$	2.0kW	2.0kW	2.0kW	2.0kW

<b>Consumo ausilia rio di energia elettrica</b>	Alla potenza termica nominale - $el_{max}$ Przy nominalnej mocy cieplnej - $el_{max}$ A potencia calorífica nominal - $el_{max}$	12.5W	12.5W	12.5W	12.5W
<b>Zużycie energii elektrycznej na potrzeby własne</b>	Alla potenza termica minima - $el_{min}$ Przy minimalnej mocy cieplnej - $el_{min}$ A potencia calorífica mínima - $el_{min}$	12.0W	12.0W	12.0W	12.0W
<b>Consumo auxiliar de electricidad</b>	In modo stand-by - $el_{sb}$ W trybie czuwania - $el_{sb}$ En modo de espera - $el_{sb}$	0.49W	0.49W	0.49W	0.49W

**Tipo di potenza termica, solo per gli apparecchi per il riscaldamento d'ambiente locale elettrici ad accumulo**  
**Sposób doprowadzania ciepła wyłącznie w przypadku elektrycznych akumulacyjnych miejscowych ogrzewaczy pomieszczeń**  
**Tipo de aportación de calor, únicamente para los aparatos de calefacción local eléctricos de acumulación**

Controllo manuale del carico termico, con termostato integrato Ręczny regulator doprowadzania ciepła z wbudowanym termostatem Control manual de la carga de calor, con termostato integrado	No Nie No	No Nie No	No Nie No	No Nie No
Controllo manuale del carico termico con riscontro della temperatura ambiente e/o esterna Ręczny regulator doprowadzania ciepła z pomiarem temperatury w pomieszczeniu lub na zewnątrz Control manual de la carga de calor con respuesta a la temperatura interior o exterior	No Nie No	No Nie No	No Nie No	No Nie No
Controllo elettronico del carico termico con riscontro della temperatura ambiente e/o esterna Elektroniczny regulator doprowadzania ciepła z pomiarem temperatury w pomieszczeniu lub na zewnątrz Control electrónico de la carga de calor con respuesta a la temperatura interior o exterior	No Nie No	No Nie No	No Nie No	No Nie No
Potenza termica assistita da ventilatore Moc cieplna regulowana wentylatorem Potencia calorífica asistida por ventiladores	No Nie No	No Nie No	No Nie No	No Nie No

\* Ikke aktuelt for Norge

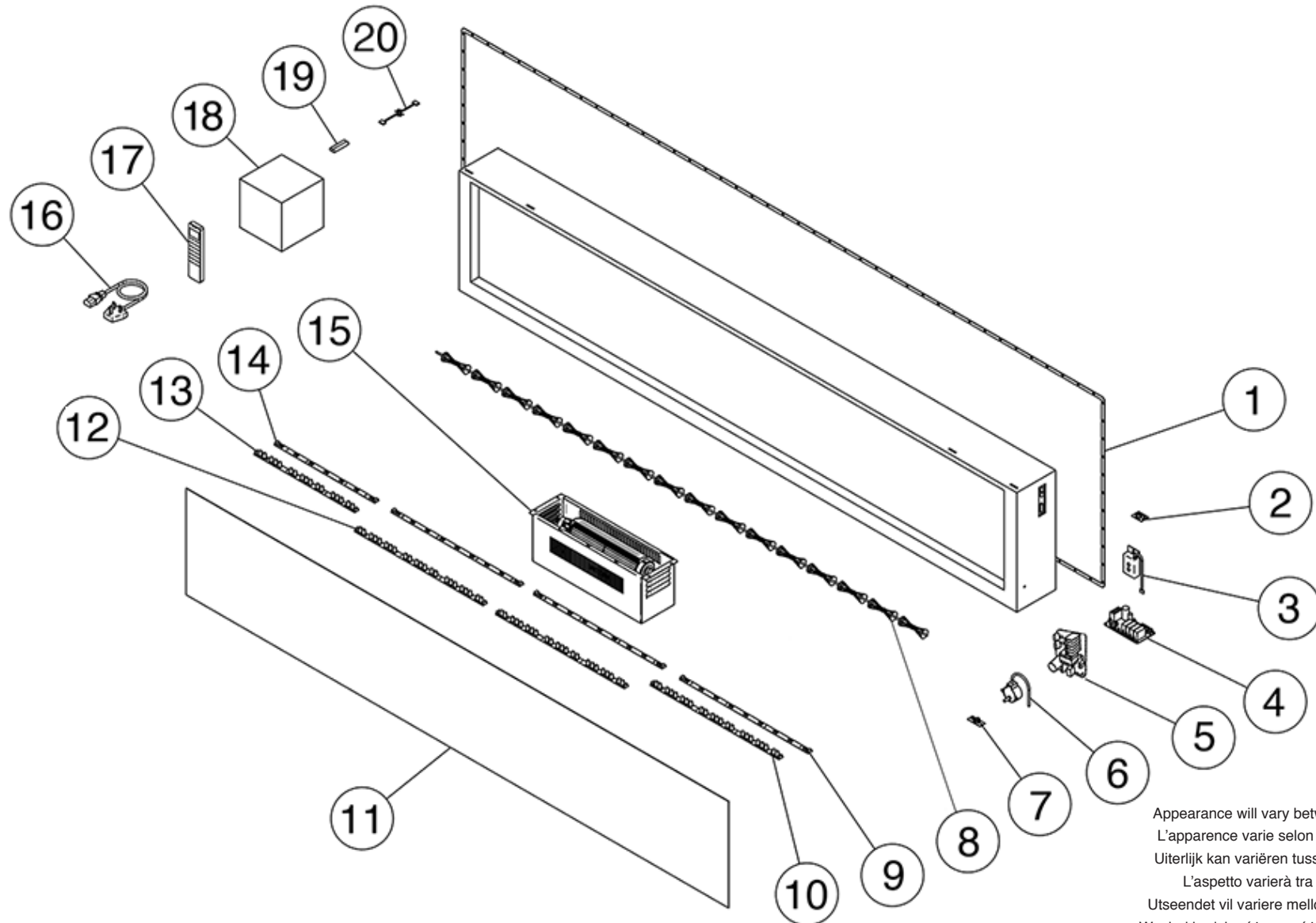
\* Türkiye için geçerli değildir

<b>Tipo di potenza termica/controllo della temperatura ambiente</b> <b>Rodzaj mocy cieplnej/regulacja temperatury w pomieszczeniu</b> <b>Tipo de control de potencia calorífica/de temperatura interior</b>				
Potenza termica a fase unica senza controllo della temperatura ambiente Jednostopniowa moc cieplna bez regulacji temperatury w pomieszczeniu Potencia calorífica de un solo nivel, sin control de temperatura interior	No Nie No	No Nie No	No Nie No	No Nie No
Due o più fasi manuali senza controllo della temperatura ambiente Co najmniej dwa ręczne stopnie bez regulacji temperatury w pomieszczeniu Dos o más niveles manuales, sin control de temperatura interior	No Nie No	No Nie No	No Nie No	No Nie No
Con controllo della temperatura ambiente tramite termostato meccanico Mechaniczna regulacja temperatury w pomieszczeniu za pomocą termostatu Con control de temperatura interior mediante termostato mecánico	No Nie No	No Nie No	No Nie No	No Nie No
Con controllo elettronico della temperatura ambiente Elektroniczna regulacja temperatury w pomieszczeniu Con control electrónico de temperatura interior	No Nie No	No Nie No	No Nie No	No Nie No
Con controllo elettronico della temperatura ambiente e temporizzatore giornaliero elektroniczna regulacja temperatury w pomieszczeniu ze sterownikiem dobowym Control electrónico de temperatura interior y temporizador diario	No Nie No	No Nie No	No Nie No	No Nie No
Con controllo elettronico della temperatura ambiente e temporizzatore settimanale elektroniczna regulacja temperatury w pomieszczeniu ze sterownikiem tygodniowym Control electrónico de temperatura interior y temporizador semanal	Si Tak Sí	Si Tak Sí	Si Tak Sí	Si Tak Sí

<b>Altre opzioni di controllo</b> <b>Inne opcje regulacji</b> <b>Otras opciones de control</b>				
Controllo della temperatura ambiente con rilevamento di presenza Regulacja temperatury w pomieszczeniu z wykrywaniem obecności Control de temperatura interior con detección de presencia	No Nie No	No Nie No	No Nie No	No Nie No
Controllo della temperatura ambiente con rilevamento di finestre aperte Regulacja temperatury w pomieszczeniu z wykrywaniem otwartego okna Control de temperatura interior con detección de ventanas abiertas	Si Tak Sí	Si Tak Sí	Si Tak Sí	Si Tak Sí
Con opzione di controllo a distanza Z regulacją na odległość Con opción de control a distancia	No Nie No	No Nie No	No Nie No	No Nie No
Con controllo di avviamento adattabile Z adaptacyjną regulacją startu Con control de puesta en marcha adaptable	Si Tak Sí	Si Tak Sí	Si Tak Sí	Si Tak Sí
Con limitazione del tempo di funzionamento Z ograniczeniem czasu pracy Con limitación de tiempo de funcionamiento	No Nie No	No Nie No	No Nie No	No Nie No
Con termometro a globo nero Z czujnikiem ciepła promieniowania Con sensor de lámpara negra	No Nie No	No Nie No	No Nie No	No Nie No

<b>Contact:</b>	Gazco Ltd, Osprey Road, Sowton Industrial Estate, Exeter, EX2 7JG
-----------------	---

Spare Parts List/ Liste Des Principales Pièces De Rechange/ Lijst Standaard Reserve Onderdelen/ Listino Prezzi Dei Ricambi/ Reservedelsliste/  
Wykaz części zamiennych/ Relación De Repuestos/ Yedek Parça Listesi



Appearance will vary between models  
L'apparence varie selon les modèles  
Uiterlijk kan variëren tussen modellen  
L'aspetto varierà tra i modelli  
Utseendet vil variere mellom modellene  
Wygląd będzie różny w różnych modelach  
La apariencia variará según los modelos  
Görünüm modeller arasında değişecektir

Spare Parts List/ Liste Des Principales Pièces De Rechange/ Lijst Standaard Reserve Onderdelen/ Listino Prezzi Dei Ricambi/ Reservedelsliste/  
 Wykaz części zamiennych/ Relación De Repuestos/ Yedek Parça Listesi

No.	Radiance 50W		Radiance 80W		Radiance 100W		Radiance 150W		Radiance 190W	
	Part Code	Quantity	Part Code	Quantity	Part Code	Quantity	Part Code	Quantity	Part Code	Quantity
1	EL0780	1	EL0625	1	EL0626	1	EL0627	1	EL0628	1
2	EL0735	1	EL0735	1	EL0735	1	EL0735	1	EL0735	1
3	EL0736	1	EL0736	1	EL0736	1	EL0736	1	EL0736	1
4	EL0783	1	EL0737	1	EL0737	1	EL0737	1	EL0737	1
5	-	-	EL0738	1	EL0738	1	EL0738	1	EL0738	1
6	EL0632	1	EL0632	1	EL0632	1	EL0632	1	EL0632	1
7	EL0739	1	EL0739	1	EL0739	1	EL0739	1	EL0739	1
8	PL0226	1	PL0174	1	PL0175	1	PL0189	1	PL0177	1
9	-	-	-	-	-	-	-	-	EL0623	3
10	EL0640	1	EL0639	1	EL0640	1	EL0640	1	EL0640	1
11	PL0227	1	PL0166	1	PL0167	1	PL0168	1	PL0169	1
12	-	-	EL0620	1	EL0621	1	EL0621	2	EL0621	2
13	-	-	-	-	-	-	-	-	EL0620	1
14	EL0623	1	EL0622	2	EL0623	2	EL0623	3	EL0622	1
15	EL0740	1	EL0740	1	EL0740	1	EL0740	1	EL0740	1
16	EL0550	1	EL0550	1	EL0550	1	EL0550	1	EL0550	1
17	EL0677	1	EL0677	1	EL0677	1	EL0677	1	EL0677	1
18	CE1516	1	CE1516	1	CE1516	1	CE1516	1	CE1516	1
19	EL0062	2	EL0062	2	EL0062	2	EL0062	2	EL0062	2
20	EL0781	1	EL0643	1	EL0644	1	EL0645	1	EL0646	1

**Gazco Limited, Osprey Road, Sowton Industrial Estate, Exeter, Devon, England EX2 7JG**

**Technical Customer Services (01392) 261950 Fax: (01392) 261951**

**E-mail: [technicalservices@gazco.com](mailto:technicalservices@gazco.com)**

A member of the Stovax Group

Translated from English Issue 3

