



Verve XS Front

For use with Gazco Electric Radiance Inset Range



Instructions for Use and Installation
For use in GB, IE (Great Britain and Republic of Ireland)

Installation Instructions

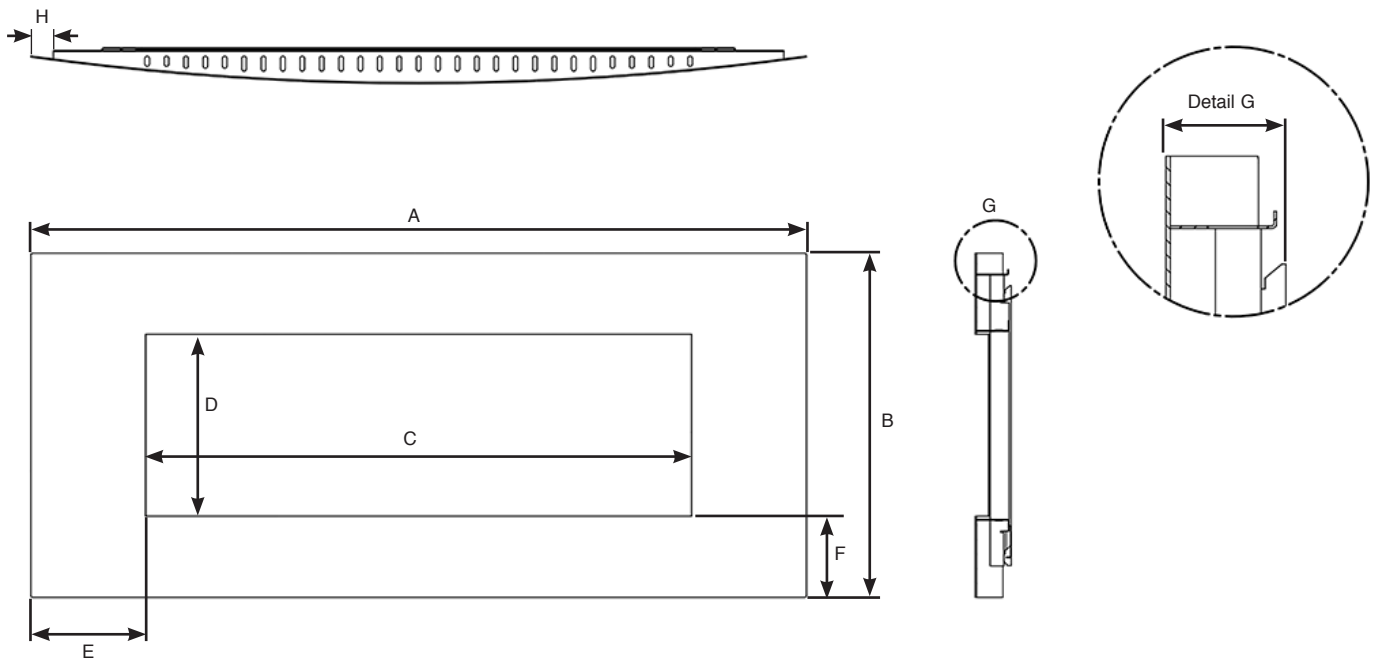
Covering the following models:

Verve XS Fronts					
Model	Radiance 50R	Radiance 85R	Radiance 105R	Radiance 135R	Radiance 195R
Graphite	919-011	919-409	919-416	919-424	919-431
Metallic Red	-	919-409RD	919-416RD	919-424RD	919-431RD
Ivory	919-011IV	919-409IV	919-416IV	919-424IV	919-431IV

1. General

- 1.1 These instructions are supplementary to, and must be read in conjunction with, the instructions supplied with the appliance. Read both thoroughly before installation.
- 1.2 Fitting of this frame and front is to be carried out after the appliance has been installed.
- 1.3 Ensure that these supplementary instructions are attached to the appliance installation instructions and leave with the user.

Radiance Dimensions



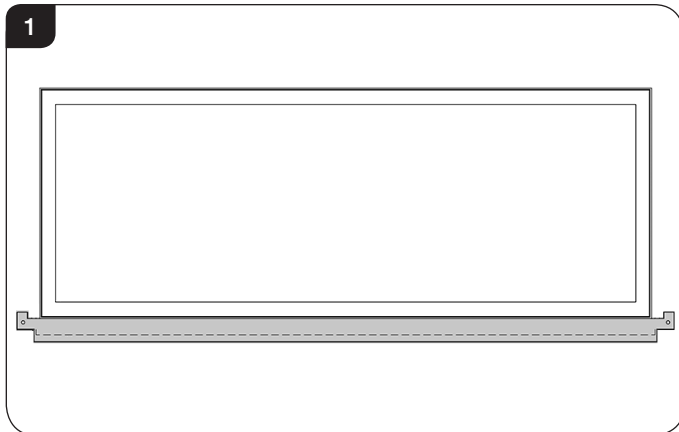
All dimensions in mm

Radiance Inset								
Model	A	B	C	D	E	F	G	H
Radiance 50R	850	532	495	281	178	126	47	35
Radiance 85R	1200	532	845	281	178	126	56	35
Radiance 105R	1400	532	1045	281	178	126	61	35
Radiance 135R	1700	532	1345	281	178	126	69	35
Radiance 195R	2300	532	1945	281	178	126	85	35

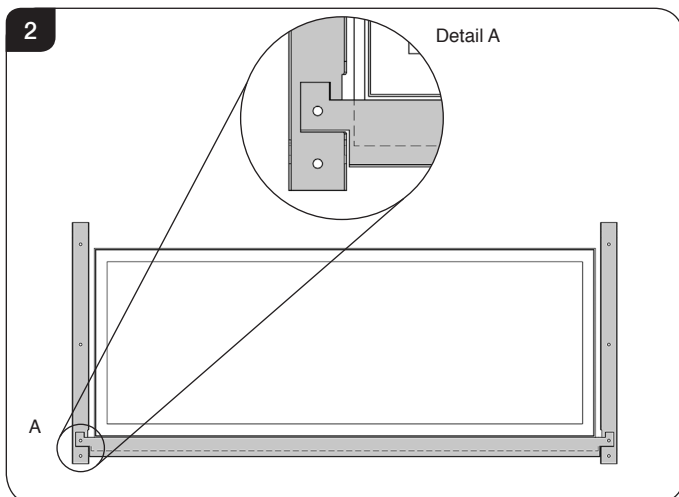
Installation Instructions

2. Fitting the Sub-Frame

- 2.1 Complete the installation of the Electric Radiance Inset by following the Installation Instructions supplied with the appliance.
- 2.2 Once the appliance has been installed and surrounding wall finished use the bottom of the decorative trim to position the lower frame bracket, see Diagram 1.



- 2.3 Mark the position for the fixing screws. The bracket should not prevent the removal of the decorative trim.
- 2.4 Remove the mounting bracket, drill the fixing holes and fill with rawl plugs.
- 2.5 Attach the mounting brackets to the wall using the screws provided.
- 2.6 Fit the side mounting brackets in place using the cut outs to fit over the lower bracket tabs, see Diagram 2 Detail A.

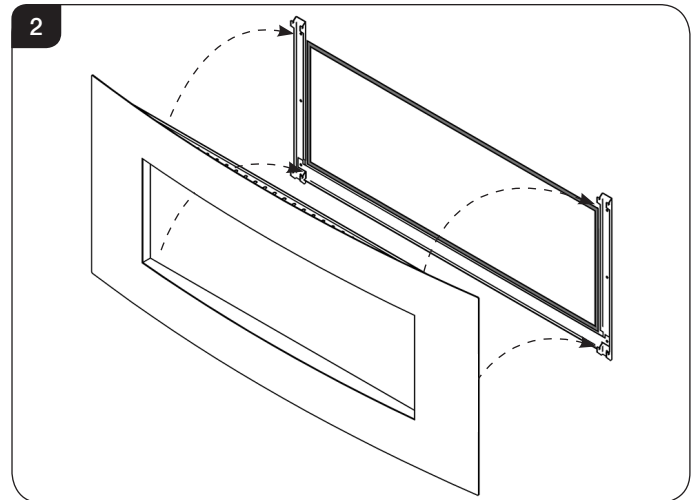


- 2.7 Mark the position for the 6 fixings screws.
- 2.8 Remove the mounting brackets and drill the fixing holes and fill with rawl plugs.
- 2.9 Attach the mounting brackets to the wall using the screws provided.

3. Fitting the Front

IT IS RECOMMENDED THAT 2 PEOPLE FIT THIS FRONT FOR EASE OF INSTALLATION, PARTICULARLY LIFTING INTO FINAL POSITION.

- 3.1 Rest the bottom fixing slots on the bottom locating hooks. Lift the upper front fixing slots onto the top locating hooks and lower into final position, see Diagram 2.



4. Cleaning the Verve XS

Ensure the appliance is cold before attempting to clean the front.

- 4.1 The metal front and sub-frame should be cleaned using a damp cloth and buffed with a lint free duster.

Gazco Limited, Osprey Road, Sowton Industrial Estate, Exeter, Devon, England EX2 7JG
Technical Customer Services (01392) 261950 Fax: (01392) 261951
E-mail: technicalservices@gazco.com

A member of the Stovax Group

E & O E