

STOVAX

Fire Your Imagination

Stockton Double Freestanding Stove Range



Instructions for Use, Installation & Servicing For use in GB & IE (Great Britain & Republic of Ireland).

IMPORTANT

THE OUTER CASING, FRONT AND GLASS PANEL BECOME EXTREMELY HOT DURING OPERATION AND WILL RESULT IN SERIOUS INJURY AND BURNS IF TOUCHED. IT IS THEREFORE RECOMMENDED THAT A FIREGUARD COMPLYING WITH BS 8423 (LATEST EDITION) IS USED IN THE PRESENCE OF YOUNG CHILDREN, THE ELDERLY OR INFIRM.

Do not attempt to burn rubbish in this appliance.

Please read these Instructions carefully before installation or use.

Keep them in a safe place for future reference and when servicing the fire.

The commissioning sheet found on page 3 of these instructions should be completed by the Installer.



Contents

Stockton 8 & 11 Double - Freestanding Stove Range

Covering the following models:

ST8SDW2/ST8SDWHC2
ST11SDW2/ST11SDWHC2

Appliance Commissioning Checklist	3
User Instructions	4
Getting Started	4
User Instructions	6
Care & Maintenance.....	9
Troubleshooting	12
Installation Instructions	14
Installation Checklist.....	14
Pre-Installation Instructions	18
Installing the Appliance.....	19
Commissioning.....	20
Maintenance & Servicing.....	22
Technical Appendix.....	25
Information Requirement - Solid Fuel	29
Spare Parts List.....	30
Service Records.....	32



If you have purchased your stove or fire from an authorised stockist within our Expert Retailer Network, then automatically your product will carry a 2 year warranty as standard. The 2 year warranty can be further extended to a total warranty period of 5 years by registering your Stovax Stove or Fireplace within one month of the latter of the purchase date or installation date. Accordingly, the start date for the warranty period is the date of purchase. During the registration process, the Expert Retailer details will be required for your Extended Warranty to be activated. Any product purchased outside of our Expert Retailer Network will carry a standard 12 month, non-extendable warranty.

It is a condition of the Extended Warranty that the installation complies with the relevant Building Regulations and is carried out by a suitably trained and qualified individual (HETAS in the UK or equivalent in other countries) with the certificate of installation and the Commissioning Report on Page 3 completed and retained by the end user.

Full terms and conditions are detailed in the Warranty Statement on the Stovax website www.stovax.com. In the event of any conflict of information the wording on the website shall prevail.

Important Note: Should any problems be experienced with your product, claims must first be submitted to the Expert Retailer where the appliance was purchased from who will offer immediate assistance or contact Stovax on your behalf.

Appliance Commissioning Checklist

To assist us in any guarantee claim please complete the following information:-

Retailer appliance was purchased from:

Name: _____

Address: _____

Telephone number: _____

Essential information - MUST be completed:

Date Installed: _____

Model Description: _____

Serial Number: _____

Installation Engineer:

Company Name: _____

Address: _____

Telephone number: _____

Commissioning Checks - to be completed and signed:

Is flue system correct for the appliance:	YES <input type="checkbox"/>	NO <input type="checkbox"/>
Flue swept and soundness test complete:	YES <input type="checkbox"/>	NO <input type="checkbox"/>
Smoke test completed on installed appliance	YES <input type="checkbox"/>	NO <input type="checkbox"/>
Spillage test completed	YES <input type="checkbox"/>	NO <input type="checkbox"/>
Use of appliance and operation of controls explained	YES <input type="checkbox"/>	NO <input type="checkbox"/>
Clearance to combustible materials checked	YES <input type="checkbox"/>	NO <input type="checkbox"/>
Instruction book handed to customer	YES <input type="checkbox"/>	NO <input type="checkbox"/>
CO Alarm Fitted	YES <input type="checkbox"/>	NO <input type="checkbox"/>

Signature: Print Name:

Getting Started

Welcome

Congratulations on purchasing your Stockton Double stove, if installed correctly Stovax hope it will give you many years of warmth and pleasure for which it was designed.

The purpose of this manual is to familiarise you with your stove, and give guidelines for its installation, operation and maintenance. If, after reading, you need further information, please do not hesitate to contact your Stovax retailer.

1. General Points

- 1.1 Before installation and/or use of this appliance please read these instructions fully and carefully to ensure that you have fully understood their requirements.

The appliance must be fitted by a registered installer*, or approved by your local building control officer.

- 1.2 All local regulations, including those referring to national and European Standards need to be complied with when installing the appliance.
- 1.3 Only use for domestic heating in accordance with these operating instructions.
- 1.4 You must burn only approved fuels. Do not use with liquid fuels or as an incinerator.
- 1.5 Appliance surfaces become very hot when in use. Use a suitable fireguard† if young children, elderly or infirm persons are present. Stovax offer firescreens, sparkguards and hearthgate systems for protection*. Your Stovax dealer can advise you about these products.
- 1.6 Do not place photographs, TV's, paintings, porcelain or other combustible items on the wall or near the appliance. Exposure to hot temperatures will cause damage. Do not place furniture or other items such as drying clothing closer than 1m from the front of this appliance.
- WARNING:** Extra fuel should not be stored on or next to the appliance. Only keep enough fuel for immediate use nearby and never leave the appliance unattended for long periods with any combustible material in close proximity.
- 1.7 Extractor fans or cooker hoods must not be placed in the same room or space as this can cause appliance to emit fumes into the room.
- 1.8 Do not obstruct inside or outside ventilation required for the safe use of this appliance.
- 1.9 Do not make unauthorised changes to the appliance.



† In the U.K. these products must conform to the latest edition of BS 8423, Fireguards for use with solid fuel appliances.

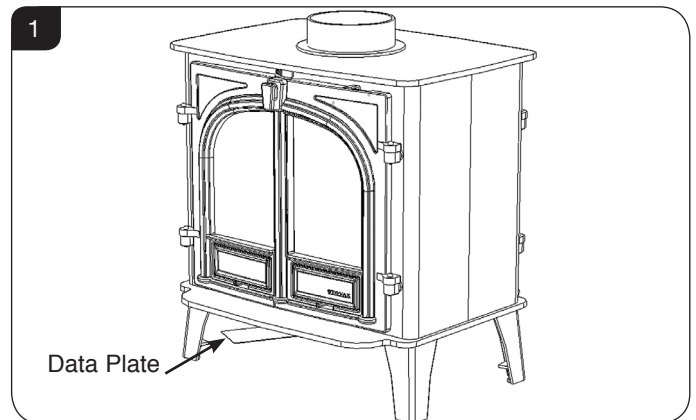
If appliance is operating unattended they must conform to the latest edition of BS 3248

*Registered on the Competent Persons Scheme (GB only see page 29/ INFO (Republic of Ireland)).

- 1.10 The chimney must be swept at least once a year, see Section 12.
- 1.11 Do not connect, or share, the same flue or chimney system with another appliance.
- 1.12 This appliance is designed to be used with the doors shut.

SERIAL NUMBER

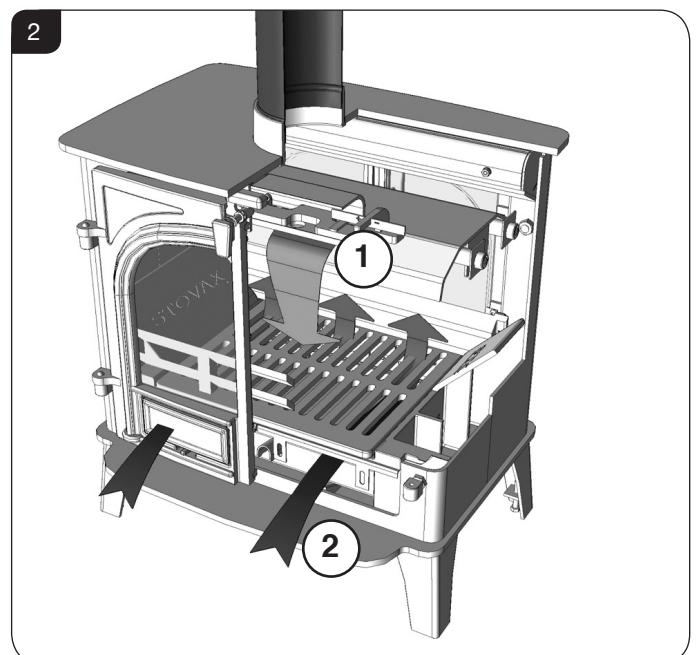
- 1.13 This number is required when ordering spare parts or making warranty claims. It is found on the appliance data plate. The data plate is found under the front of the stove ashlip, see Diagram 1.



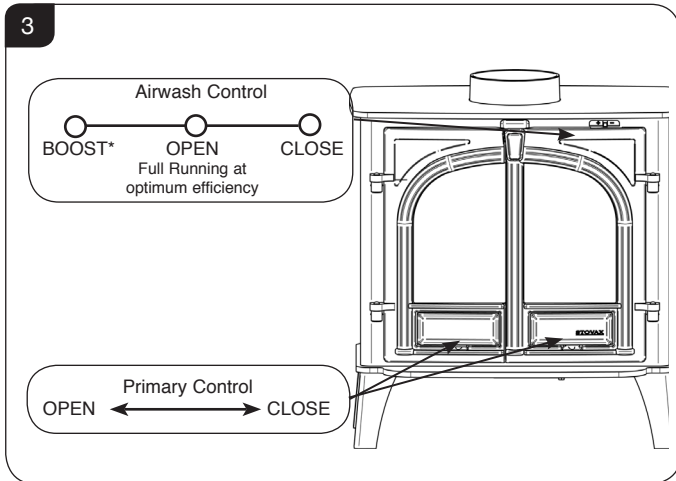
AIR CONTROLS

In addition to the Primary Air Controls, both appliances include an Airwash system that specifically uses a placed vent to draw in cool air from the outside to 'wash' over the inside of the glass keeping it clean, See Diagram 2.

- 1) Airwash - air drawn over the window cleans the glass. The source of Primary Combustion air when burning wood.
- 2) Primary Air - for use initially when establishing fires.



Getting Started



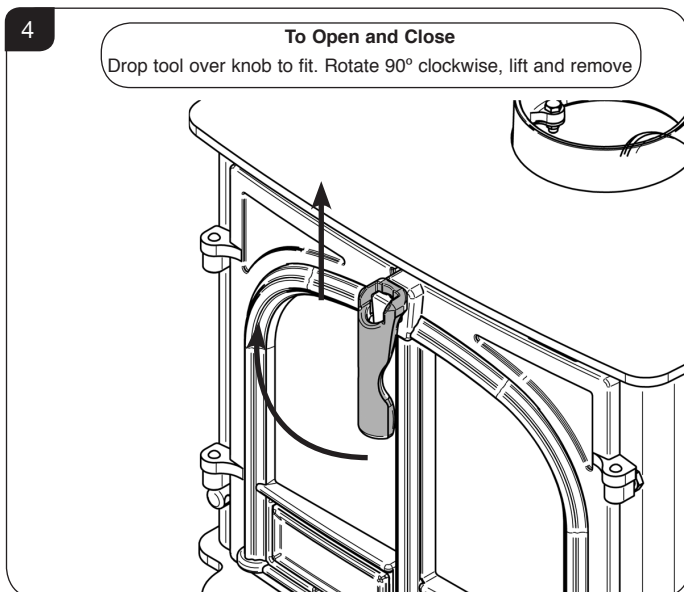
* The **boost setting** allows for quicker start up and glass cleaning only. **DO NOT** run the appliance on this setting for extended periods of time.

DOOR HANDLE

i **IMPORTANT:** Stovax provide gauntlet style gloves for the users protection from heat and any sharp edges when using the appliance. For your safety ensure that gloves are always worn when opening, operating, refuelling or handling internal metalwork.

DO NOT OPEN THE DOOR WITH BARE HANDS

DO NOT OPEN THE DOORS WHEN THE FIREBOX IS FULL OF FLAMES - WAIT FOR THEM TO DIE DOWN.



WARNING



Properly installed, operated and maintained, this appliance will not emit fumes into the room. Occasional fumes from de-ashing and refuelling may occur.

Persistent fume emission is potentially dangerous and must not be tolerated.

If fume emission does persist:

- Open doors and windows to ventilate the room.
- Leave the room.
- Allow fire to burn out and safely dispose of fuel from the appliance.
- Check for chimney blockage and clean if required.
- Do not attempt to relight until the cause of the emission has been identified and corrected
- If necessary seek expert advice.
- All open flued appliances can be affected by temporary atmospheric conditions which may allow fumes to enter the house. Because of this an electronic carbon monoxide detector conforming to the latest edition of BSEN50292 must be fitted in the same room as the appliance. The existence of an alarm must not be considered a substitute for ensuring regular servicing and maintenance of the appliance and chimney system.

IF THE ALARM SOUNDS FOLLOW THE INSTRUCTIONS GIVEN UNDER WARNING ABOVE.

Getting Started/User Instructions

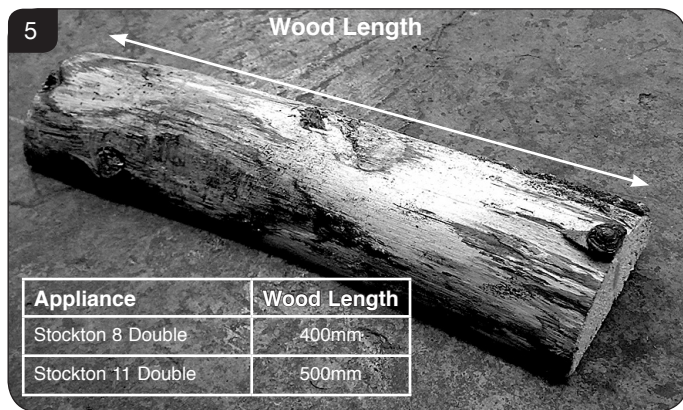
2. Using the Appliance for the First Time

- 2.1 To allow the appliance to settle, and fixing glues and paint to fully cure, operate the appliance at a low temperature for first few days.
- 2.2 Do not touch the paint during the first period of use.
- 2.3 During this time the appliance may give off some unpleasant odours. Keep the room well ventilated to avoid a build-up of fumes.
- 2.4 Please be aware that, during use, rope seals may discolour. This is normal.

3. Recommended Fuels

3.1 Wood Logs:

Burn only seasoned timber with a moisture content of less than 20%. To ensure this allow cut wood to dry for 12 to 18 months.



Poor quality timber:

- Causes low combustion efficiency
- Produces harmful condensation
- Reduces effectiveness of the airwash and life of the appliance

Do not burn construction timber, painted, impregnated / treated wood, manufactured board products or pallet wood.

3.2 Solid fuel:

- Burn only anthracite or manufactured briquette smokeless fuels listed as suitable for use with closed heating appliances

Do not burn bituminous coal, 'petro-coke' or other petroleum based fuels as this will invalidate the product guarantee.

3.3 Fuel consumption.

As tested at nominal heat output to the requirements of EN 13240: 2001 for intermittent operation:

Description	Fuel Consumption	
	Kg/hour Wood	Kg/hour Briquette Smokeless fuel
Stockton 8 Double	2.8	1.3
Stockton 11 Double	3.5	N/A

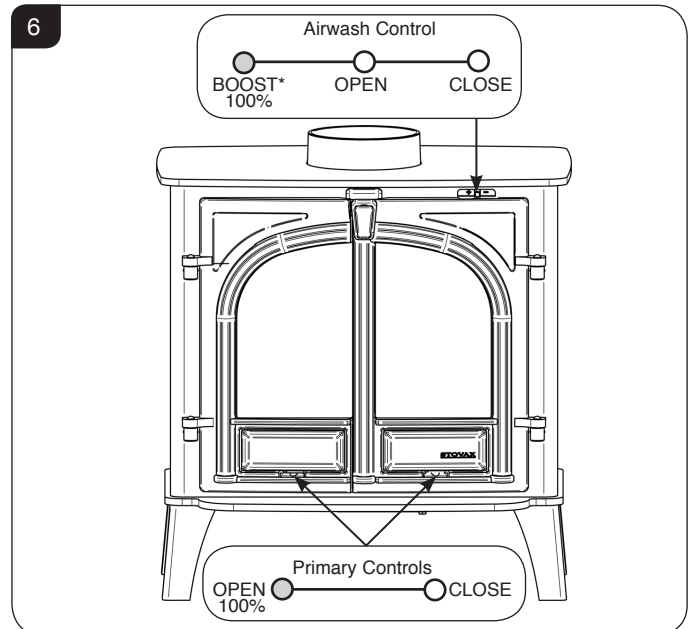
- 3.4 For advice on suitable solid fuels contact your local approved coal merchant*.

A number of factors can affect the performance of the appliance. See *Troubleshooting Section* for details.

4. Lighting the Appliance

IMPORTANT: Stovax provide gauntlet style gloves for the users protection from heat and any sharp edges when using the appliance. For your safety ensure that gloves are always worn when opening, operating, refuelling or handling internal metalwork.

- 4.1 For best results set air controls as shown in Diagram 6.



- 4.2 Place firelighters, or paper, and dry kindling wood on the grate (Multi-fuel version) or firebed (Woodburning version).

***In the U.K:**

- Ring the Solid Fuel Association advice line on 0845 601 4406 for details
- Visit their web site at www.solidfuel.co.uk

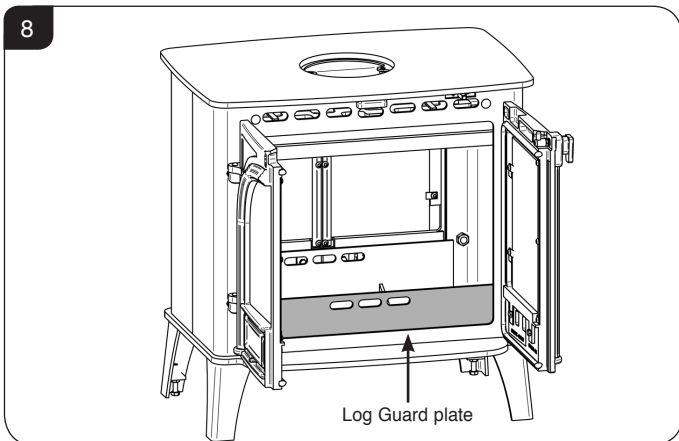
User Instructions

- 4.3 Light the paper or firelighters, see Diagram 7.



- 4.4 Leave the door slightly open as the fire establishes and the glass warms to avoid build up of condensation.
- 4.5 Add larger pieces of wood.
Too many logs may smother the fire.

Do not load fuel above the log guard, see Diagram 8.



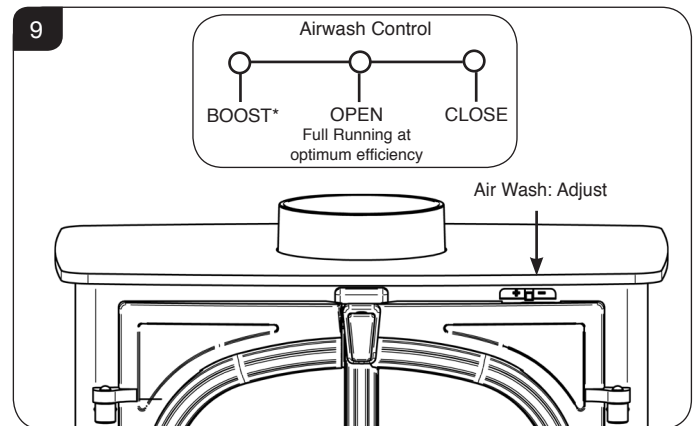
— Close the door if desired.

- 4.6 **Do not run with the door slightly open except for initial lighting as this could cause over-firing and damage the appliance.**

5. Running the Appliance

Wood Burning

- 5.1 Close the **Primary air control** and use the **Airwash** to control the burn rate when appliance is at operating temperature, see Diagram 9.



Wood burns best on a bed of ash (approx. 25mm (1") deep).

Rake the embers evenly over the firebed and open the **Airwash Control** fully for a few minutes before re-fuelling.

- 5.2 Burn new logs at a high temperature for a few minutes before adjusting the **Airwash Control**. Refuel little and often for clean, efficient burning.

Small amounts of **Primary Air** can help to maintain a hot fuel bed.

- 5.3 Do not burn large amounts of fuel with the **Airwash Control** closed for long periods of time. This reduces the glass cleaning effect of the Airwash and causes tars and creosotes to build-up in the appliance and flue system.

To keep the glass clean set **Airwash** on each side to 25% open.

- 5.4 When in use, burning the appliance at a high temperature for a short period reduces tars and creosotes.
- 5.5 Experience establishes settings to suit personal preference.

User Instructions

Converting Woodburning models

- 5.7 To burn wood and smokeless fuels efficiently in a woodburning appliance a cast iron multi-fuel kit must be fitted. This also allows the efficient combustion of wood.

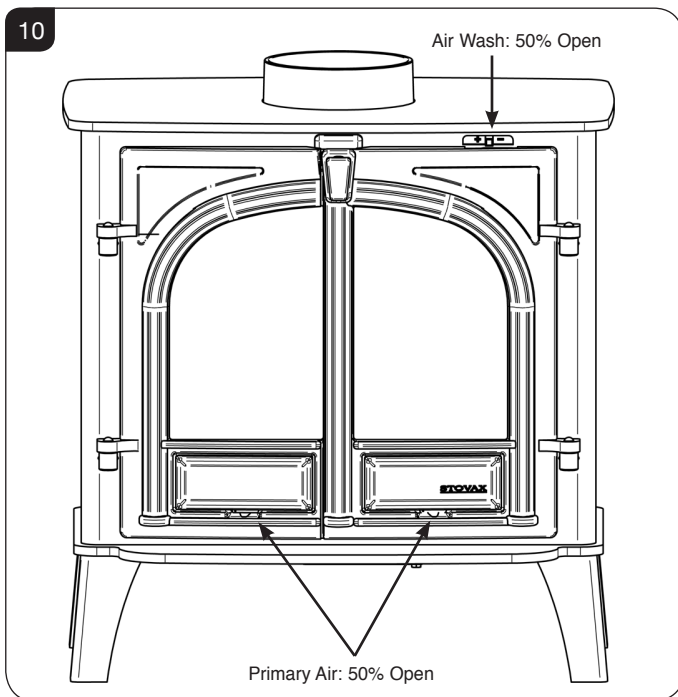
Multi-fuel kit part numbers:

Appliance	Part No.
Stockton 8 Double	MFKIT8SD
Stockton 11 Double	MFKIT11SD

Only for use with recommended fuels, see **Installation Section** for full fitting details.

Multi-fuel

- 5.8 To burn wood and smokeless fuels a cast iron multi-fuel kit must be fitted.
- 5.9 Allow the fire to become established. Before adding the solid fuel set air controls, see Diagram 10.



- 5.10 De-ash the grate before re-fuelling (see *User Instructions, Section 7*).

Open the **Primary Air Control** fully to establish a glowing bed before adding new fuel.

Burn new fuel at a high temperature for a few minutes before adjusting the **Primary Air Control** to the desired setting.

Refuel little and often for clean, efficient burning.

- 5.11 Experience establishes settings to suit personal preference.
- 5.12 Do not burn large amounts of fuel with the **Primary Air Control** on a low combustion setting for long periods of time. This reduces the glass cleaning effect of the Airwash and causes tars and creosotes to build-up in the appliance and flue system.
- 5.13 When in use, burning the appliance at a high temperature for a short period reduces tars and creosotes.
- 5.14 **Only anthracite or smokeless fuels suitable for use in closed appliances must be burned in this appliance.**
- 5.15 **Do not burn bituminous coal, 'petro-coke' or other petroleum based fuels as this invalidates the product guarantee.**
- 5.16 **Do not load fuel above the log guard**, see Diagram 8.

Shut Down

- 5.17 If there is still burning fuel in the firebox, Stovax do not recommend shutting down the air controls completely unless there is a chimney fire in progress (see section 9 for advice). Closing the controls during the burning process will cause poor combustion and could lead to a build up of gasses that could ignite dangerously.
- 5.18 Always have enough air entering the stove to maintain some flame within the firebox.
- 5.19 If it is necessary to shut down the appliance then run on a high setting until all of the fuel has been burnt before closing the air controls.

6. Extended Burning

- 6.1 It is possible to get the appliance to burn for extended periods of time. In order to do this:
- Burn new fuel at a high temperature for a few minutes before adjusting the **Primary Air Control**.
 - Set air controls to low combustion settings. This will gradually blacken the glass but it will clear when operated at a high temperature for a short period.

Care & Maintenance

7. Ash Removal

Do not allow ash to build up as it may cause damage and adversely effect the performance of the appliance. Warning: Ash can remain hot long after appliance has been in use.

7.1 Wood versions only.

- Open Doors, see Diagram 11.
- Leave a layer of ash to start the new fire on. Wood burns best on a bed of ash (approx. 25mm (1") deep).
- Remove ash with a small shovel and place into a Stovax Ash Caddy (Stovax Part No. 4227) or other suitable container.

Do not place hot ash in any container made from plastic or any other combustible material.

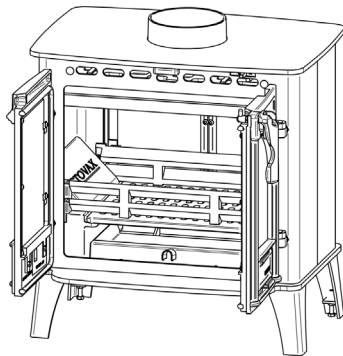
- De-ash at least once a week.

7.2 Multi-fuel Versions

De-ash the appliance before filling with new fuel. Do not allow ash to build up on the underside of the grate as this can cause premature failure.

- Open Doors, see Diagram 11.
- De-ash with a poker.

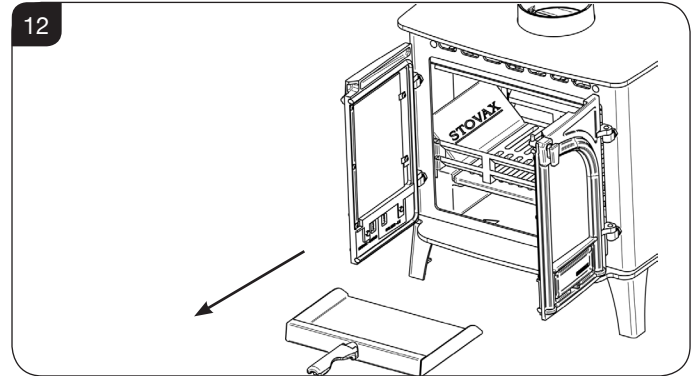
11



Warning: Ash can remain hot long after appliance has been in use.

- 7.3 Using gloves, carefully remove ashpan using tool supplied, see Diagram 12. Ensure the tool is fully engaged before operation. Practise this technique before hand with a cold ashpan.

12



- 7.4 Place the ash into a Stovax Ash Caddy (Stovax Part No. 4227) or other suitable container.
- 7.5 Check and remove ash as often as required when burning solid fuel.
- 7.6 De- ash at least once a week.

Do not place hot ash in a container made from plastic or any other combustible material.

8. Over-Firing

- 8.1 Do not over-fill with fuel or run at high temperatures for long periods or over-firing can occur. **DO NOT OPERATE THE APPLIANCE WITH THE PRIMARY AIR CONTROL OPEN OR THE AIRWASH ON BOOST FOR LONG PERIODS OF TIME AS THIS COULD CAUSE OVER-FIRING AND MAY CAUSE PERMANENT DAMAGE.**
- 8.2 **Over-firing can cause permanent damage to the appliance and invalid the product warranty.**



*Registered on the Competent Persons Scheme (GB only) see page 29/ INFO (Republic of Ireland).

Care & Maintenance

9. Chimney Fire

- 9.1 **If a chimney fire occurs:**
- Shut all air controls immediately.
 - Evacuate the building.
 - Call the fire brigade.
 - Do not re-enter the building until it is confirmed safe.
- 9.2 **Do not use the appliance after a chimney fire until:**
- a) It has been inspected by a registered installer*, confirming the appliance is safe to use.
 - b) The chimney system has been inspected and swept by a chimney sweep, confirming the system is structurally sound and free from obstruction*.
 - c) It is repaired as required before re-use. Use only genuine Stovax replacement parts to keep your appliance in safe, efficient working order.

10. General Cleaning

- 10.1 Clean and inspect the appliance regularly, especially in periods of heavy use. Regular cleaning and maintenance will help give many years of safe use.
- 10.2 **Allow appliance to cool thoroughly to avoid risk of burns.**
- 10.3 Clean regularly, according to level of use.
- 10.4 Remove the ash completely (see *User Instructions, Section 7*).
- 10.5 Check internal components for damage and for obvious build up of soot, ash or debris above the flue baffle(s) (these can be found in the upper part of the firebox). Use a torch if necessary.
- 10.6 If there are any signs of a build up of debris above the flue baffle(s) either:
- Arrange for the chimney to be swept (see *User Instructions, Section 12*).
 - Remove the baffles and clear the debris (see *Pre-Installation Instructions, Sections 4*).
- 10.7 Clean matt black appliances using Colloidal black or Grate Polish
- 10.8 To refresh painted finishes a touch up spray is available. Contact your Stovax retailer quoting the serial number found on the appliance data badge.

Do not use aerosol sprays near an operating appliance.

11. Cleaning Glass

- 11.1 Keep the glass clean with correct use of the Airwash system and good quality fuel.
- 11.2 Sometimes additional cleaning may be required. Before undertaking this operation allow appliance to cool fully. Do not clean hot glass.
- 11.3 **On appliances with printed glass do not use cleaning agents that have a high alkaline or acidic content, for example Stovax Gel Cleaner, these are aggressive cleaning agents designed to be used with heavily stained clear glass. On printed glass surfaces, use Stovax Glass Cleaner (Stovax No.4103) which is better formulated for this application.**
- 11.4 Before applying a cleaning agent remove any dust and loose soot with a damp cloth.
- 11.5 Use an appropriate glass cleaner. Apply the cleaning fluid to a cloth before rubbing onto the glass. Apply carefully and do not apply excessively. Try to prevent any run off which could soak into the rope seals around the edge of the glass. Soot can also contain acidic particles that can cause corrosive damage to printed glass.
- 11.6 Remove dirt with a moist cloth and buff dry.
- 11.7 Before relighting the appliance ensure the glass is fully dried. If the rope seal has absorbed excess cleaning agent it is advisable to replace the rope as soon as possible to preserve the printed finish of the glass.

12. Chimney Sweeping

- 12.1 To maintain safe and efficient use of the appliance, the chimney/flue must be inspected and swept at least once a year by a qualified chimney sweep*.
- If the appliance is used continuously throughout the year, or it is used to burn wood, more frequent sweeping is recommended.
- The best time to have the chimney swept is at the start of the heating season.
- 12.2 The chimney, any connecting flue pipe and the appliance flue ways, if incorporated, must be regularly cleaned.
- 12.3 Ensure adequate access for cleaning where it is not possible to sweep through the chimney.
- 12.4 If the chimney is believed to have previously served an open fire it must be swept a second time within a month of regular use after installation.



*Registered on the Competent Persons Scheme (GB only) see page 29/ INFO (Republic of Ireland).

13. Care Of Stove

Stovax has a range of cleaning and maintenance products and accessories to keep your appliance in good working order. Your Stovax retailer can advise you on suitable items for your stove and provide genuine spare parts such as replacement glass, door sealing rope and firebricks. View the extensive range at www.stovax.com by clicking on *Accessories*. In addition, an annual service by a competent engineer is recommended to keep your stove in the best possible condition.



14. Seasonal Use

- 14.1 Clean and service the appliance if not used during the warmer months, as detailed in the *Maintenance and Servicing* section.
- 14.2 Set the air controls to 50% to keep the appliance ventilated and stop the build-up of any moisture inside.
- 14.3 Before re-lighting the appliance:
 - Remove the baffles.
 - Clear any debris that may have accumulated.
 - Check the flue is clear of any blockages.

15. Optional Extras

Multi-fuel Grate

- 15.1 To burn wood and smokeless fuels efficiently in a woodburning appliance a cast iron multi-fuel kit must be fitted. This also allows the efficient combustion of wood.

Multi-fuel kit part numbers:

Appliance	Part No.
Stockton 8 Double	MFKIT8SD
Stockton 11 Double	MFKIT11SD

Only for use with recommended fuels, see **User Section** for full fitting details.

Troubleshooting

Troubleshooting

	Symptom	Cause	Solution
OPERATION	Difficulty starting the fire and keeping it burning well	Low flue draught	Consult your installer
		Wet wood (over 20% moisture)	Use dry seasoned wood (less than 20% moisture content)
	Poor burning control	High flue draught	Consult your installer
	Short burn times	Wet wood (over 20% moisture)	Use dry seasoned wood (less than 20% moisture content)
	Excessive heat output (Over firing)	High flue draught	Consult your installer
		Air control left fully open	Close air control to reduce output
	Low heat output	Low flue draught	Consult your installer for advice on suitable flue system
		Wet wood (over 20% moisture)	Use dry seasoned wood (less than 20% moisture content)
Excessive fuel consumption	High flue draught	Consult your installer for advice on suitable flue system	
	Over dry wood	Do not use constructional timber or pallet wood	
SMOKE EMISSIONS	Smoke and small flames	Wet wood (over 20% moisture)	Use dry seasoned wood (less than 20% moisture content)
	Intermittent smoke spillage into room when appliance door is opened	Low flue draught	Consult your installer for advice on suitable flue system
		Incorrect additional ventilation air in to building	Consult your installer
	Continuous smoke spillage into room when appliance in use	Blocked flue	Open all doors and windows to ventilate the room. Allow the fire to burn out. Check flue for blockage. Do not re-use until cause of spillage is identified. Consult your installer for advice
Blue/grey smoke from chimney	Wet wood (over 20% moisture)	Use dry seasoned wood (less than 20% moisture content)	
ADVERSE WEATHER	Windy days, intermittent smoke spillage into room when appliance door is opened	Down draught in flue caused by air turbulence caused by nearby buildings or trees	Weather conditions combined with the flue terminal position can have an effect on the appliance performance. Consult your installer
	Calm days, intermittent smoke spillage into room when appliance door is opened	Over size flue giving poor flue draught	Weather conditions combined with the flue terminal position can have an effect on the appliance performance. Consult your installer
	Damp/Rainy days lighting and burning problems	Flue temperature low / rain water inside flue	Use good quality wood to start and maintain the fire, consult your installer to fit a rain cowl
	Wind noise from the air control	High flue draught	Consult your installer for advice on suitable flue system

Troubleshooting

	Symptom	Cause	Solution
THE APPLIANCE	Rapid creosote build-up in the chimney	Wet wood (over 20% moisture)	Use dry seasoned wood (less than 20% moisture content). Operate at a high temperature for short periods each time the appliance is used to avoid large build-ups of tars and creosotes
	Tar coming from flue joints	Appliance operated at continuous low temperatures	Operate at a high temperature for short periods each time the appliance is used to avoid large build-ups of tars and creosotes. See user instructions for correct use of air control
		Using poor quality wood	Use dry seasoned wood (less than 20% moisture content)
	Strong pungent smell after the appliance is lit	Appliance operated at continuous low output	Operate at high output for short periods. See user instructions for correct use of air control
		Using poor quality wood	Use dry seasoned wood (less than 20% moisture content)
	Wind noise from the air control	High flue draught	Consult your installer for advice on suitable flue system
	Dirty firebricks	Wet wood (over 20% moisture)	Use dry seasoned wood (less than 20% moisture content)
	Dirty glass	Wet wood (over 20% moisture)	Use dry seasoned wood (less than 20% moisture content)
	Glass blackening	Using poor quality wood	Use dry seasoned wood (less than 20% moisture content)
		Low flue draught	Consult your installer for advice on suitable flue system
Incorrect use of air control		See user instructions for correct use of air control	
Appliance operated at continuous low temperatures		Operate at high output for short periods. See user instructions for correct use of air control	

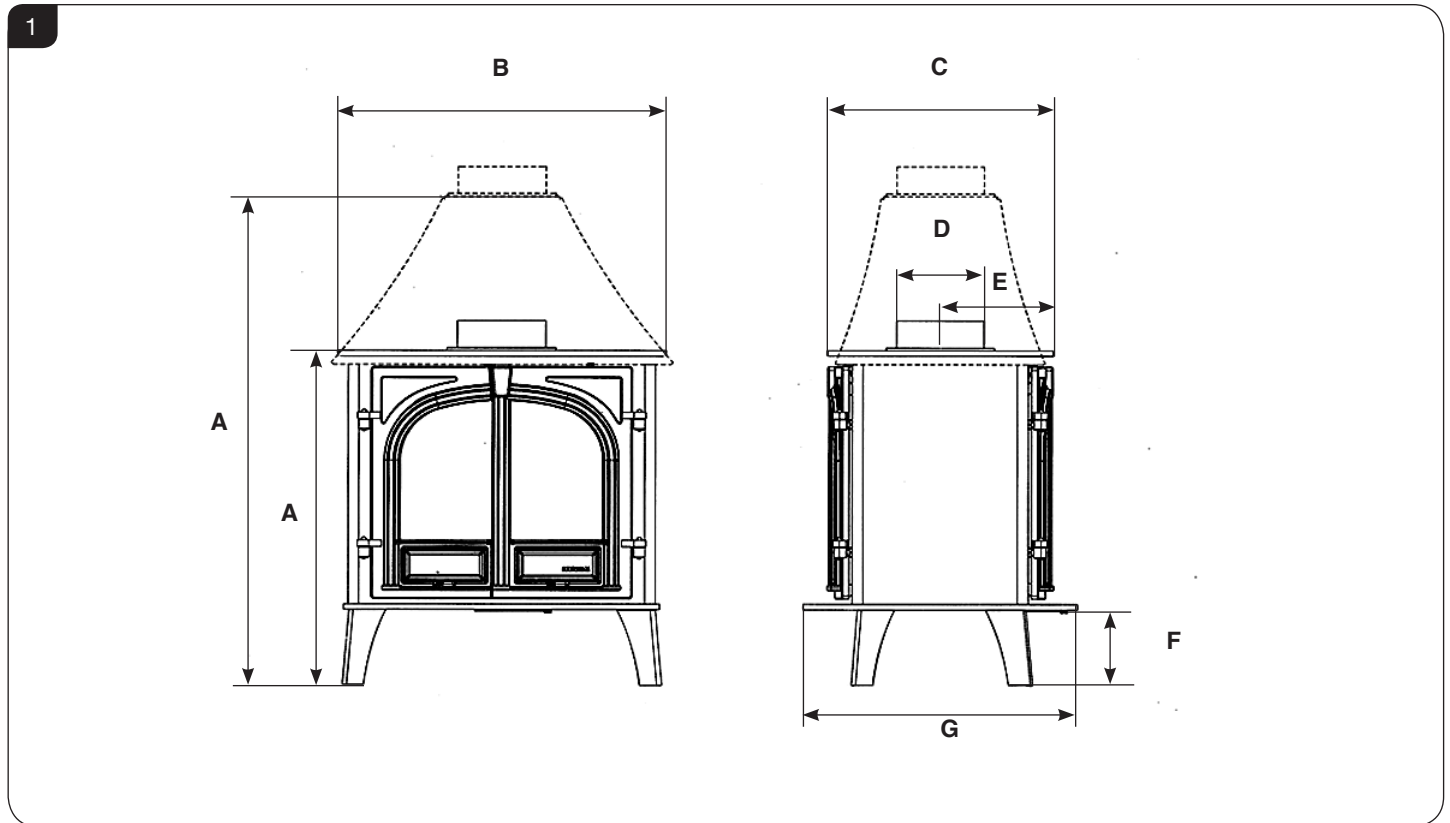
FLUES	The flue system has two main functions:
	<ul style="list-style-type: none"> - To safely remove the smoke, fumes and combustion gases from the building. - To provide a sufficient amount of flue draught (suction) in the appliance to ensure the fire keeps burning.
	The flue draught is caused by rising hot gases when the appliance is lit.
	Tar and creosote are a major cause of chimney fires. If the appliance experiences problems with tar build up consult a chimney sweep before continued use of the appliance.
	For advise on the correction of persistent flue problems consult a qualified heating engineer before continuing to use the appliance.

Installation Checklist

Please Note

This section is intended to give an overview of the product performance and essential information required for installing the appliance. It is intended for qualified engineers who are already familiar with Stovax products. For full details and expanded information please see the **Technical Appendix** at the back of this manual.

1. Stockton Double Dimensions



Description	Model	A	B	C	D (Dia)	E	F	G
Stockton 8 Single Double Flat Top	ST8SDW2	620	603	417	153	301	140	507
Stockton 8 Single Double High Canopy	ST8SDWHC2	912	619	384	153	192	140	507
Stockton 11 Single Double Flat Top	ST11SDW2	677	726	462	153	231	162	575
Stockton 11 Single Double High Canopy	ST11SDWHC2	1100	758	432	153	216	162	575

All dimensions in mm. (25.4 mm = 1")

i In the U.K. Additional information covering the installation of the appliance may be found in the following British Standards: BS EN 15287, BS6999, BS8303.

Installation Checklist

2. Essential Information

GENERAL	Model: Stockton 8 Single Depth/ Double Sided - ST8SDW2/ST8SDWHC2 Stockton 11 Single Depth/Double Sided - ST11SDW2/ST11SDWHC2			Stockton 8 Single/ Double	Stockton 11 Single/ Double
	Nominal Heat Output	Wood	kW	9	11
		Solid Fuel	kW	9	11
	Efficiency	Wood	%	74.6	75.3
	CO @ 13% O ₂	Wood	%	0.230	0.180
Solid Fuel					
Weight		Kg	114	148	
Recommended Fuels	Wood	Seasoned Wood (less than 20% moisture content)			
	Solid Fuel	Briquette smokeless fuel suitable for closed appliances (Ancit-Phuracite-Taybrite-Homefire Ovals)			

As tested to the requirements of EN 13240 for intermittent operation

FLUES	Flue/Chimney Size	Without Liner system round (Diameter)	mm	153	153
			inch	6	6
		Without Liner system (square) minimum dimension	mm	135	135
			inch	5 ¹ / ₂	5 ¹ / ₂
	With Liner of Factory made system (diameter) installed in accordance with manufacturers instructions	mm	150	150	
		inch	6	6	
	Flue/Chimney minimum height**	All products **must be 4.5m from the hearth to the top of the flue, with no horizontal sections and a maximum of 4 bends. Bends must have angles of less than 45 degrees from the vertical.	m	4.5	4.5
			feet	15	15
	Flue Draught	Min	mm Wg	1.0	1.0
		Nominal		1.5	1.5
		Max		2.0	2.0
	Flue Gas Mass Flow	Wood	g/s	7.9	9.5
Solid Fuel		g/s	8.5	7.7	
Flue Gas Temperature at Spigot/Socket	Wood	°C	369	468	
	Solid Fuel	°C	369	468	
Flue Outlet Size (Top or Rear Option)		mm	153	153	
		inch	6	6	

European Min Spec for Chimney Flue - T400 N2 D 3 G50

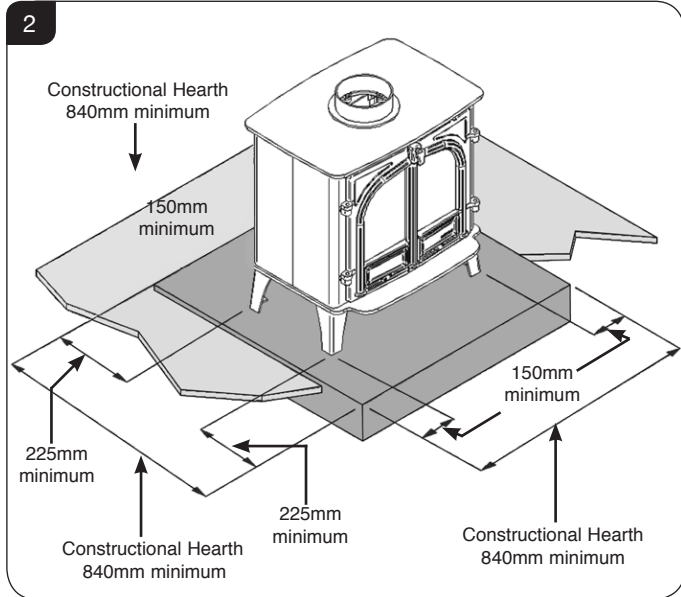
VENTILATION	A) Traditionally Built Homes • Where leakage is greater than 5m ³ /hour/m ² . • Ventilation normally required = 550mm ² per kW output over 5kW		B) Modern Construction Homes • Where leakage is less than 5m ³ /hour/m ² . • Ventilation normally required = 550mm ² per kW		
	A	Additional Ventilation	mm ²	2200.00	3300.00
			cm ²	22.00	33.00
			in ²	3.55	5.32
	B	Additional Ventilation	mm ²	4950	6050
			cm ²	49.50	60.50
in ²			7.99	9.76	

For full technical details on ventilation see Technical Appendix on Page 28

Installation Checklist

3. Minimum Dimensions - Hearth

3.1 The appliance must stand on a non-combustible constructional hearth which is at least 125mm thick with the minimum dimensions as shown in Diagram 2.



3.1 The appliance must stand on a non-combustible constructional hearth which is at least 125mm thick with the minimum dimensions as shown in diagram.

3.2 If this appliance is installed in an elevated setting it is recommended to increase the 225mm hearth depth to safely contain any falling logs or embers. The higher the appliance is installed the deeper the hearth should be to avoid scorched floor coverings.

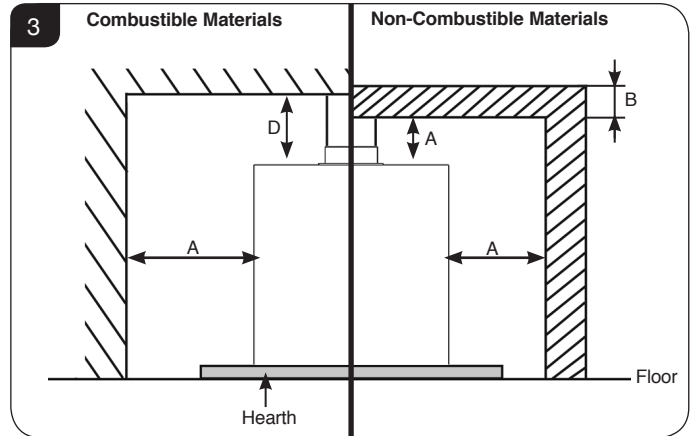
4. Clearances

IMPORTANT: INSTALLATION MUST COMPLY WITH CURRENT BUILDING REGULATIONS

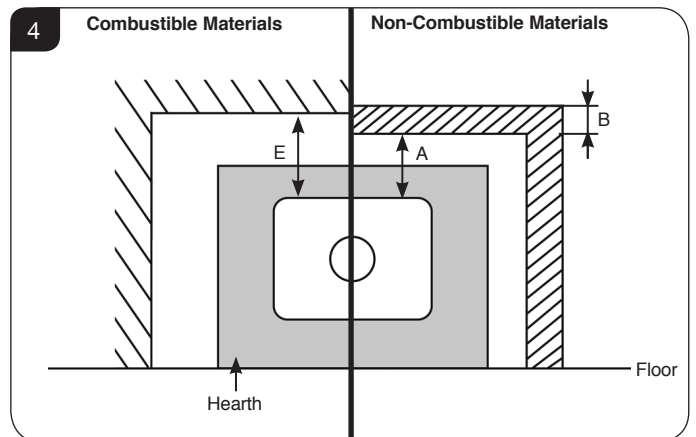
ENSURE THAT SUFFICIENT CLEARANCES ARE PROVIDED BETWEEN THE FLUE PIPE AND ANY COMBUSTIBLE MATERIALS IN THE FIREPLACE IN ACCORDANCE WITH THE RULES IN FORCE.[†]

4.1 When installing a Stockton stove it is important to observe the following clearances to both **combustible** and **non-combustible** materials. Also ensure that a clearance of 1 meter is maintained in front of the appliance when operating.

Fireplace: Minimum Clearances Above & to the Sides



Fireplace: Minimum Clearances to the Rear



Non-Combustible Materials

4.2 All appliances will require some clearance between them and any non-combustible materials to allow for either:

- Installation, servicing or accessing controls.
- Convection in order for the appliance to function properly.

Minimum clearances for installation/servicing/convection is:

Rear - 25mm	Sides 50mm	Top 100mm
-------------	------------	-----------

NOTE: If the non-combustible surface is less than 200mm thick additional clearances may be required. This requirement ensures that the non-combustible material does not transmit excessive heat through the wall onto combustible material which might be placed against it.

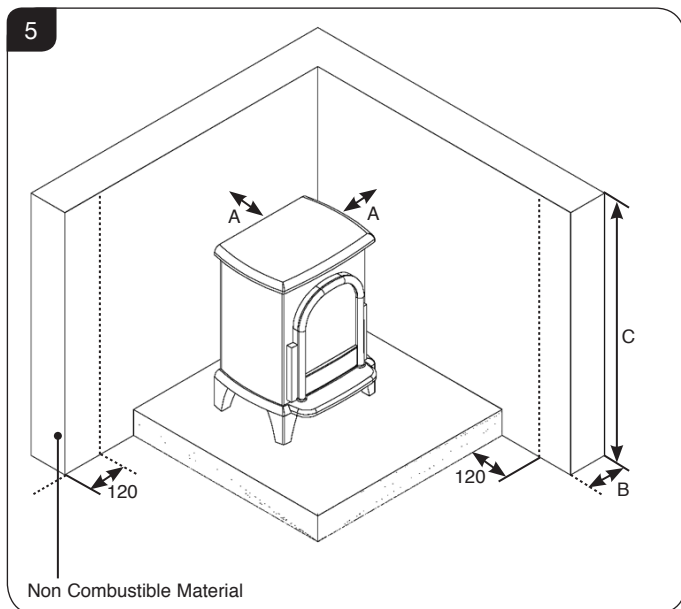
[†] England and Wales – Document J / Scotland - Part F/Document J (Republic of Ireland only)

Installation Checklist

See Diagrams 3 & 4 (Fireplaces) & Diagram 5 (Freestanding) and table below.

Distance to Non-combustible Materials		
Distance of Appliance to Wall (A)	Minimum Thickness of wall (B)	Minimum Height of Wall (C)
0mm - 50mm*	200mm	Height of appliance + 300mm OR 1200mm from the hearth (take largest dimension)
51mm - 300mm	75mm	
300mm+	No requirement	No requirement

Freestanding Installation



Combustible Materials

4.3 It is essential for safety to ensure the following clearances to combustible materials are maintained.

See Diagrams 4 & 5 and table below.

Model	A (side)	E (Rear)*	D (Above)
Stockton Double 8	300	N/A	N/A
Stockton Double 11	300	N/A	N/A

Pre-Installation Instructions

1. General

- 1.1 To make the installation of the appliance easier it is best to remove the internal components before fitting into the builders opening/studwork.

PACKING LIST

All Models:

- User & Installation Instructions
- Guarantee card
- Door handle tool
- Gloves

STANDARD FEATURES

All Models:

- Primary air (under grate air for full multi-fuel use)
- Airwash (for wood burning / clean glass)
- Removable door handle tool

- 1.2 For the best results removing the following components as set out below.

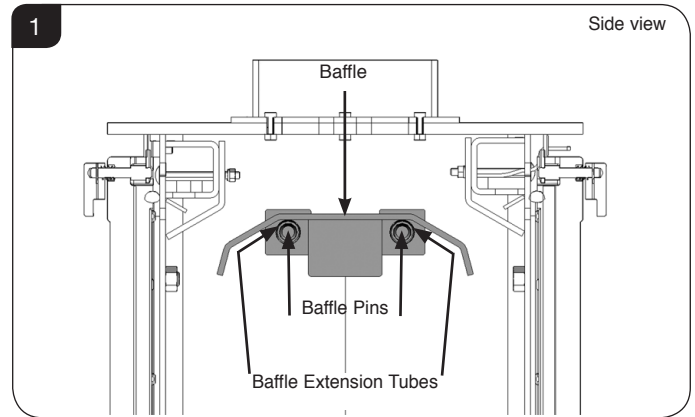
2. Removal of the Log Guard

- 2.1 To remove the log guard:
- Lift log guard clear of the supporting brackets.
 - Rotate to clear the sides of the door opening.

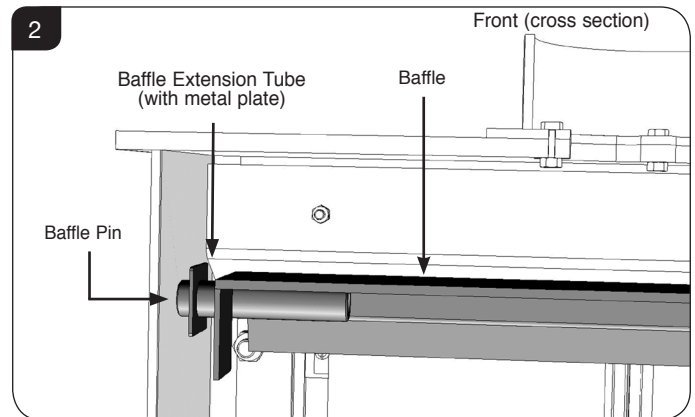
Do not use appliance without the log guard in position.

3. Removal of the Baffle

- 2.1 The appliance is fitted with a baffle in the top of the firebox to maintain efficient combustion, see Diagram 1.
- 2.2 Allow the appliance to cool fully before removing Baffle.



- 2.3 To remove the baffle open door and remove the log guard to give access to firebox.
- 2.4 Lift the left hand side of the baffle and remove the extension tubes that support the underside.



- 2.5 Slide the baffle plate as far to the left as possible and rest on the baffle pins the extension tubes fit over.
- 2.6 Lift the right hand side and remove the extension tubes. It should now be possible to gently lower the right side of the baffle into the firebox
- 2.7 Manoeuvre the left hand side past the baffle pins and the baffle plate can now be removed from the front of the appliance.
- 2.8 Replace damaged baffles immediately.
- 2.9 Clean as instructed in User Instructions, Section 14.

Do not modify the Baffle system.

Installation Instructions

1. Installing the Appliance

Each installation is unique to the property so it is not possible to give details to suit every setting. The installation must comply with Building Regulations† and be made using "best practice" construction methods‡.

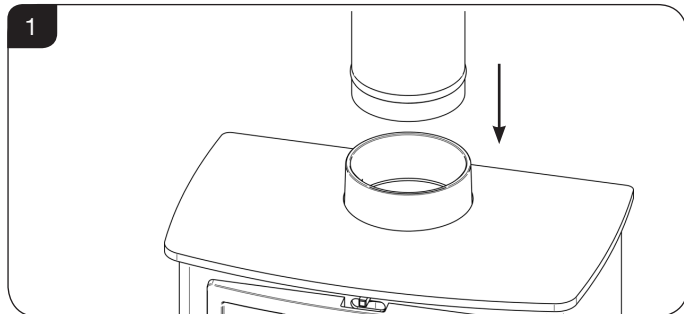
Many fireplace openings have a supporting lintel. Do not remove without supporting the remaining structure of the building. **Do not support the structure with the appliance or the flue system.**

1.1 Take care when installing the appliance. Careless handling and use of tools can damage the finish and/or area.

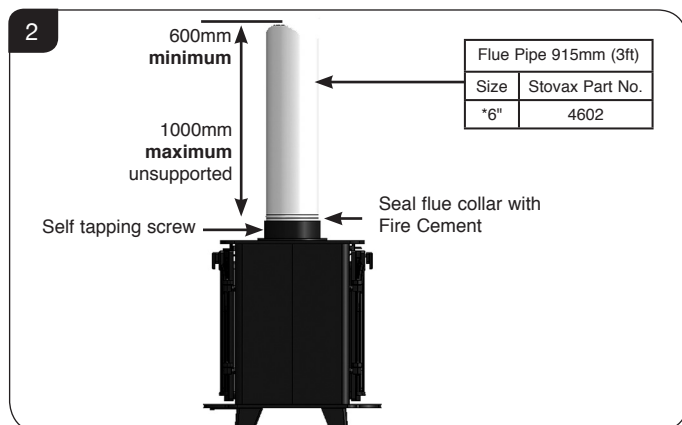
- Fit flue collar, washer, and nuts.
- Attach flue collar with hexagonal bolts, see Diagram 1.
- Seal collar with fire cement.

1.2 Top flue pipe installation

- Lift appliance into position.
Take care not to damage the hearth finish.
- Level the appliance.
Connect appliance to the chimney using flue pipe.
- Secure with self tapping screw.
- Seal the connecting joints with fire cement.



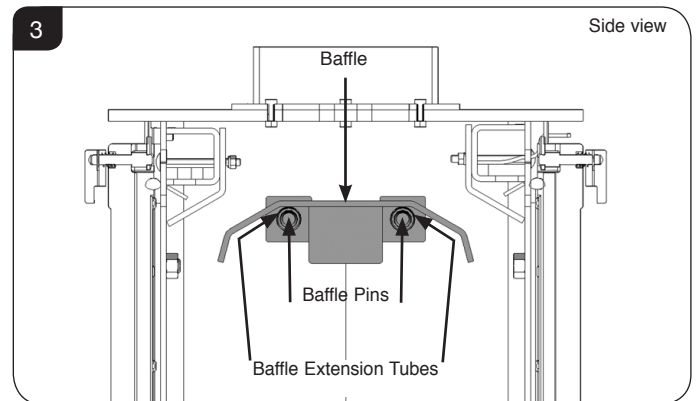
The Flue must be installed in accordance with manufacturers instructions.



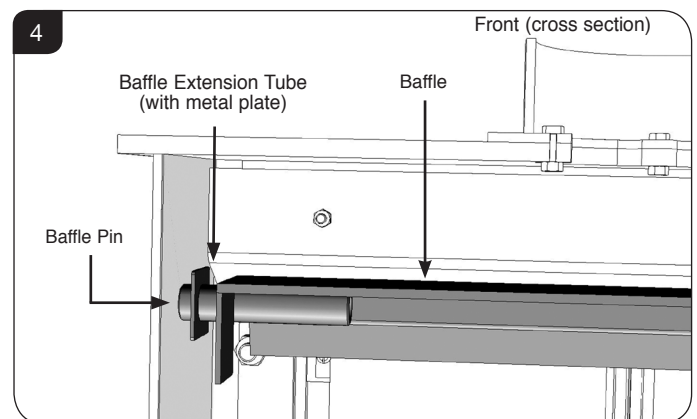
i † England and Wales – Document J / Scotland - Part F/Document J (Republic of Ireland only)
‡ the latest edition of BS 8303, BS EN 15287, BS 7566

2. Fitting of the Baffle

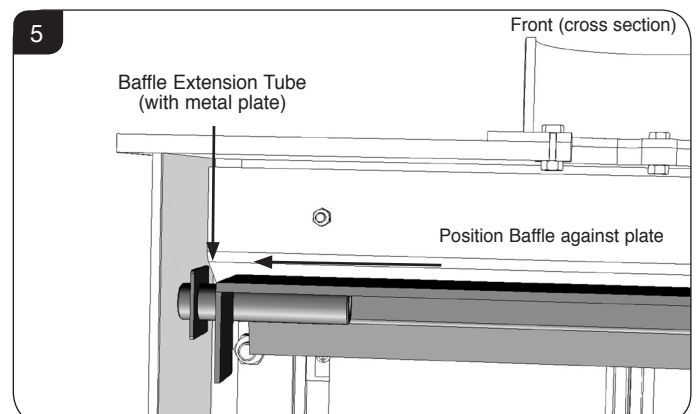
- 2.1 To position the Baffle manoeuvre into the appliance and lie it across the firebox.
- 2.2 Lift one end and rest it on the Baffle Pins on one side. Push the Baffle as far to that side as possible.



- 2.3 Raise the opposite end above the Baffle Pins on the opposite side and insert the Baffle Extension Tubes over the Baffle Pins.
- 2.4 Ensure the metal plates at the end of the extension tubes are next to the side of the firebox, see Diagram 4.
- 2.5 Lower the end of the Baffle to rest on the extension tubes, see Diagram 4.



- 2.6 The metal plates should now be trapped between the side of the firebox and the Baffle to ensure the Baffle Extension Tubes do not slide off, see Diagram 5.



Installation Instructions

- 2.7 Raise the other end of the Baffle and attach remaining Baffle Extension Tubes to the Baffle Pins in the same manner.
- 2.8 Lower the Baffle onto these tubes.
- 2.9 Centre the Baffle.
- 2.10 Replace damaged Baffles immediately.
- 2.11 Clean as instructed in User Instructions, Section 14.

Do not modify the Baffle system.

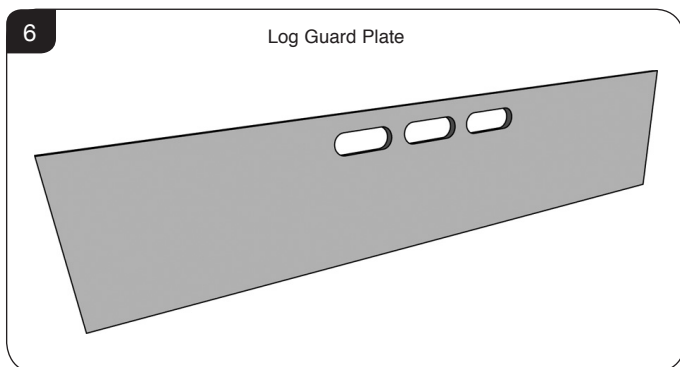
3. Fitting of the Multi-fuel Grate

- 3.1 To burn smokeless fuels a cast iron Multi-fuel kit must be fitted. This kit allows the efficient combustion of both wood and solid fuel.

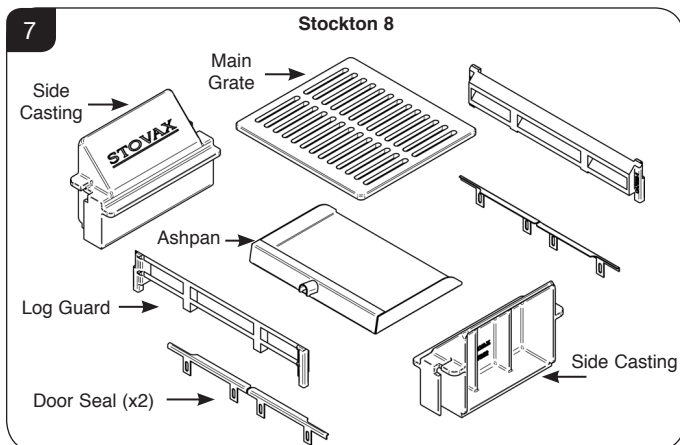
Description	Code
Stockton 8 Single Depth Double Sided	MFKIT8SD
Stockton 11 Single Depth Double Sided	MFKIT11SD

- 3.2 To fit the Multi-fuel kit:

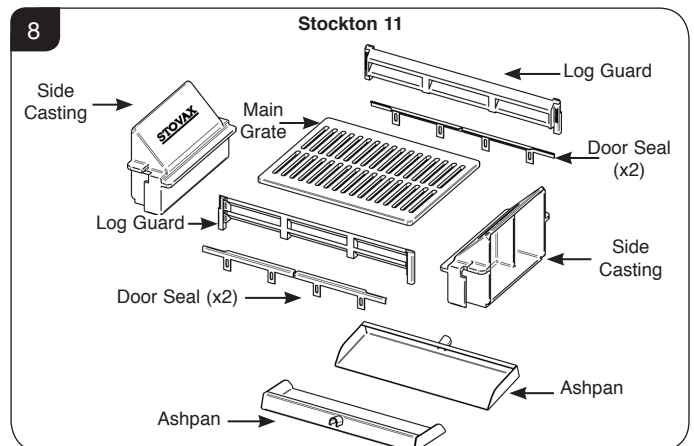
Remove the log guard plate. The plate is not required when using the multi-fuel kit. Store in a safe place. See Diagram 6.



Stockton Double 8



Stockton Double 11



- 3.3 Position the Grate Side Supports on the base of the stove against the sides of the firebox.
- 3.4 Put the main Grate on the flat ledges of the Grate Side Supports.
- 3.5 Ensure the Grate sits flat on the supports.
- 3.6 Fit the new Log Guards.
- 3.7 Slide the Ashpan under the Grate.
- 3.8 Fit additional seals to the back of each door using the existing fixing bolts found in the door. These additional door seals should pass under the front edge of the Grate and can be adjusted to the correct fit which should be fairly tight.
- 3.9 Check door closes and seals correctly.

4. CO Alarms

All open flued appliances can be affected by temporary atmospheric conditions which may allow fumes to enter the house. **Building regulations require that whenever a new or replacement fixed solid fuel or wood/biomass appliance is installed in a dwelling a carbon monoxide alarm must be fitted in the same room as the appliance. Further guidance on the installation of the carbon monoxide alarm is available in the latest edition of BS EN50292 and from the alarm manufacturer's instructions.**

HETAS recommend the unit is permanently fixed in accordance with the manufacturer's installation instructions or with the guidance contained in Approved Document J where no other information is available.

Provision of an alarm must not be considered a substitute for either installing the appliance correctly or ensuring regular servicing and maintenance of the appliance and chimney system.

Commissioning

Commissioning

1.1 To commission:

- Replace the internal components.
- Check the door alignment and catch operation and adjust if required (see Care & Maintenance, Section 5 & 6).
- Check the soundness of door seals, castings and joints.
- Check the operation of the air controls.

1.2 Now carry out a final smoke draw test:

- Warm the flue with a blowlamp, or similar, for about 10 minutes.
- Place a smoke pellet on the centre of the grate, with the air controls open.
- Close the door. Smoke should now be drawn up the flue and be seen to exit from the flue terminal.
- Complete test with all doors and windows closed in the room where the appliance is fitted.
- If there are any extractor fans in adjacent rooms the test must be repeated with the fans running on maximum and with interconnecting doors open.
- Check the effect of ceiling fans during the test.

If the test fails, re-check the suitability of the flue system and ventilation. An inadequate air supply to the room is potentially dangerous.

- Light the appliance and slowly increase the temperature.
- Ensure no combustion products enter the room.
- Open the main fire door when the appliance reaches operating temperature and carry out a spillage test with a smoke match or pellet around the door opening.

1.3 If excessive spillage occurs allow the appliance to cool and re-check the flue system and ventilation.

1.4 Finally:

- Explain to the user the safe operation of the appliance, use of the controls and the importance of only using suitable fuels.
- Ensure that a CO alarm has been fitted and make the user aware of its operation and importance, referring them to the Warning section on page 5 of the User Instructions.
- Explain the cleaning and routine maintenance requirements.

- Explain the requirement to use a suitable fireguard when children, elderly or infirm persons are near the appliance.
- Record retailer/supplier and installer details in Appliance Commissioning Checklist (page 3, Instructions for Use).
- Record serial number in Appliance Commissioning Checklist (page 3, Instructions for Use).

This number is required when ordering spare parts and making warranty claims.

- Give this instruction manual to the customer.

Certificate Of Compliance

Upon completing the installation, the form below must be filled in by your installer to comply with the requirements of HETAS and the building regulations. The installer must give these details, including their HETAS registration number, for the purposes of any insurance details that may change as a result of the appliance being installed.

HETAS LTD - CERTIFICATE OF COMPLIANCE

PLEASE TICK APPROPRIATE BOXES OR ENTER DETAILS IN BOXES BELOW



Record ID (HETAS Use Only)	<input type="text"/>	(*indicates that this data must be given)
Customer Name	*	
Installation Address	*	
Installation Address		
Installation Address		
Installation Address		
Town	*	
Postcode	*	Work Completion Date *
Local Authority Name (*Must be given if no postcode available)		
Installing Company Name	*	Company's HETAS Reg. No. *
Installing Engineer's Name	*	Engineer's HETAS Reg. No. *

Description of Work

Location:
 Lounge Dining Room Kitchen Utility Room Bedroom Other, Specify

Appliance: Dry Open Fire Open Fire with Boiler Dry Cooker Cooker with Boiler
 Dry Roomheater/Stove Roomheater/Stove with Boiler Independent Boiler
 Make Model Heat Output kW

System: New Heating and Hot Water System Updated Existing Heating and Hot Water System Dry System Only

If Wet System: Is the Hot Water System Unvented? Y N

Chimney: New Insulated Factory Made Chimney System Installed

Relining of existing chimney: Twin Wall Flexible Liner (for Class 1 Appliance) Cast In-situ Liner
 Rigid Sectional Liner Metal Rigid Sectional Liner Other

Hearth: New Hearth/Surround fitted Existing Hearth Surround Updated

Additional Information

Connecting fluepipe: Diameter mm Socket joints upward and gas tight

Provision for sweeping chimney/fluepipe: Yes No Chimney Data Plate Location

Air supply: Has a permanently open air vent been fitted: Yes No
 Is vent opening at least 50% of cross sectional area of throat/flue or State total free area of air vent mm²

Confirm an approved Carbon Monoxide alarm has been fitted

Testing & Commissioning to Approved J Appendix E

Confirm you have commissioned and tested the appliance & associated work for safe and efficient operation

Declaration of completion As the competent person responsible for the work described above, I confirm that the appliance and associated work has been installed in accordance with the HETAS rules of registration, and that the work complies with Regulations 4 and 7 of the Building Regulations, and Approved Documents J, G & L as applicable.

Signed: _____ Print name: _____ Date: _____

COPIES OF THIS COMPLETED CERTIFICATE MUST BE (WHITE COPY) SENT TO HETAS LTD AT THE ADDRESS GIVEN BELOW (PINK COPY) GIVEN TO THE CUSTOMER FOR RETENTION (YELLOW COPY) RETAINED BY THE INSTALLING COMPANY

**THIS CERTIFICATE SHOULD BE RETAINED BY THE PROPERTY OWNER
WHO MAY BE REQUIRED TO PRODUCE IT IN ANY FUTURE SALE OF THE PROPERTY.**

Maintenance & Servicing

For a complete list of spare parts and accessories contact your Stovax or call 01392 474011

1. Annual Service

i **IMPORTANT: Stovax provide gauntlet style gloves for the users protection from heat and any sharp edges when using the appliance. For your safety ensure that gloves are always worn when opening, operating, refuelling or handling internal metalwork.**

- 1.1 Before the start of the heating season strip, inspect and clean the appliance as detailed:
- Allow appliance to cool.
 - Remove all internal parts: baffle and log guard.
 - Sweep the appliance at this point if necessary.
 - Vacuum clean any remaining ash and debris from the inside of the appliance. Stovax offer a filter/collection attachment for vacuum cleaners to protect them from fire ash: Ash Clean (Stovax Part No. 2091).
 - Check the parts for any damage. Replace any damaged parts using genuine Stovax replacements parts.
 - Check and clean the firebricks with a soft brush. Some surface damage will occur during use. The life of the bricks will depend on the type of fuels burnt and the level of use. **Replace damaged bricks as soon as possible.**
 - Re-fit cleaned internal parts.
 - **Do not use cleaning agents that have a high alkaline content, for example Stovax Gel Cleaner, on appliances with painted glass. These are abrasive cleaning agents that are designed to be used with heavily stained clear glass. Use Stovax Glass Cleaner (Stovax No.4103) on more delicate surfaces.**
- Do not use abrasive cleaners to remove tar or soot deposits from the glass.**
- Fit new door rope seal (see *Maintenance and Servicing, Section 4*).
 - Lightly oil the door catch mechanism and hinge pins. Avoid getting oil onto the door seals and glass.
 - To refresh painted finishes a touch up spray is available. Contact your Stovax retailer quoting the serial number found on the appliance data badge.

- 1.2 Use genuine Stovax replacement parts to keep the appliance in safe, efficient working order. This is a list of the maintenance products that may need be required:

Task	Product name
Preventing build-up of creosote in flue	Protector (15 sachets)
	Protector (1kg tub)
Sealing flue pipe joints	Fire Cement (500g tub)
	Fire Cement (600g cartridge)
Re-painting	Thermolac Black (150ml aerosol)
Protecting your hands	Heat resistant leather gloves
Door sealing rope	13mm Black rope seal (handy pack)
	13mm Black rope seal (25m reel)
Thermic seal glue	(50ml bottle)
Ash Clean	Vacuum Cleaner Attachment

These products, available online at www.stovax.com or from your local Stovax Retailer, along with regular maintenance and use of correct fuels, will keep the appliance in the best possible condition.

- 1.3 For more information about the Stovax Group products please visit our web site at www.stovax.com
- 1.4 Burn at a low temperature for the first day of use after any maintenance. This allows the seals, fixing glues and paint to fully cure.
- 1.5 During this time the appliance may give off some unpleasant odours. Keep the room well ventilated to avoid a build-up of fumes.
- 1.6 Your Stovax Retailer can carry out service and maintenance.

2. Removal of Internal Parts

- 2.1 To service and maintain the good working condition of your appliance it will be necessary to remove several internal parts. Consult the installation section for the following:

Log Guard - Pre-Installation Section 2, page 18.

Baffles - Pre-Installation Section 3, page 18.

Maintenance & Servicing

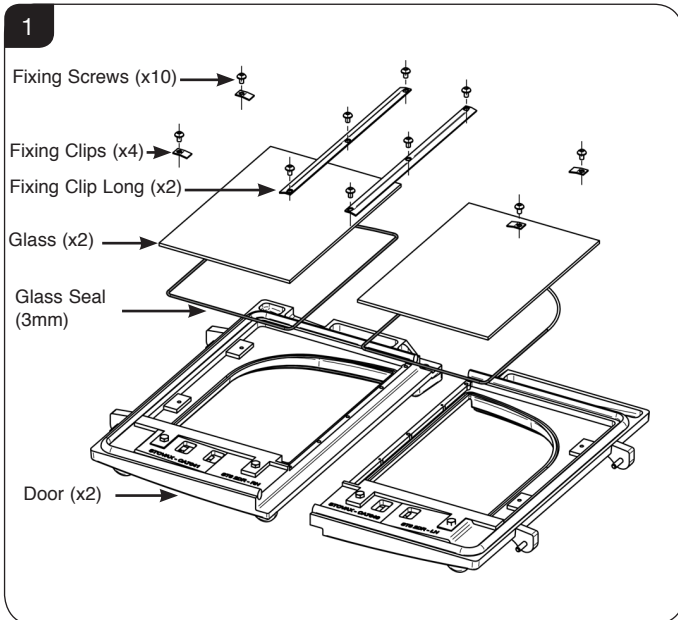
3. Fitting a new Door Glass - All Models

To maintain safe use of the appliance damaged door glass must be replaced immediately. To do this:

- Remove the door by opening and lifting the door free of the hinge blocks.
- Lay the door face down on a soft flat surface to protect the paintwork and glass.
- Remove the glass fixing clips and screws. The old glass can then be lifted clear of the door.

Note how the 3mm sealing rope is placed between the glass and the door.

- **Dispose of the old glass safely.**



- Clean and re-paint the rear of the door if required.
- Clean the screws with light oil and coat with high temperature anti-seize grease to aid future removal.
- Fit a new sealing rope and place the glass into position in the door.
- Place the glass fixing clips into position and re-fix with the clean fixing screws, tightening the screws evenly until glass is held securely, see Diagram 1.

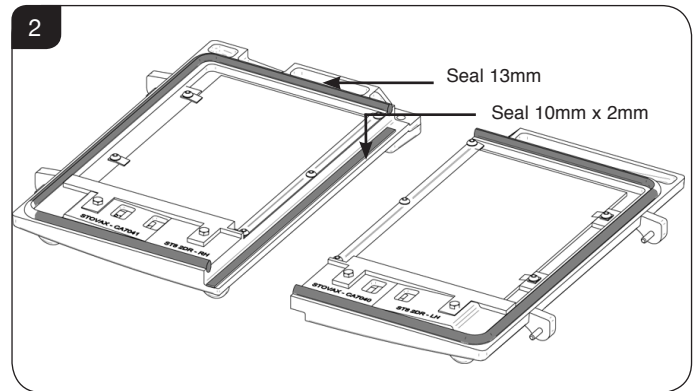
Do not over tighten the screws as this could break the glass.

- 3.1 Fit only original Stovax ceramic glass, which is suitable to use in high temperature applications.
- 3.2 Using the appliance with damaged door glass could cause dangerous fumes to enter the room or the appliance to over-fire resulting in damage.

4. Fitting a new Door Seal - All Models

4.1 To maintain the safe use of the appliance damaged or worn door sealing rope must be replaced. To do this:

- Remove door from appliance by opening, removing the hinge pins and lifting the door free of the hinge blocks.
- Lay the door face down on a soft, flat surface to protect the paintwork and glass.
- Remove old rope and scrape old glue from locating groove.



- Clean the locating groove with a clean, dry cloth to remove all old dust and debris.
- Squeeze a generous bead of fresh Stovax Thermic Seal glue into the rope locating groove.
- Press the new Stovax rope into the locating groove, placing the joint in the middle of the lower edge of the door.
- Refit door and close to apply pressure to new rope.
- Leave the door(s) closed for at least 12 hours before lighting the appliance and run at a low temperature for approximately one day. This allows the adhesive to fully bond to the seal.

4.2 Using the appliance with a damaged door seal can cause dangerous fumes to enter the room, or the appliance to over fire resulting in damage.

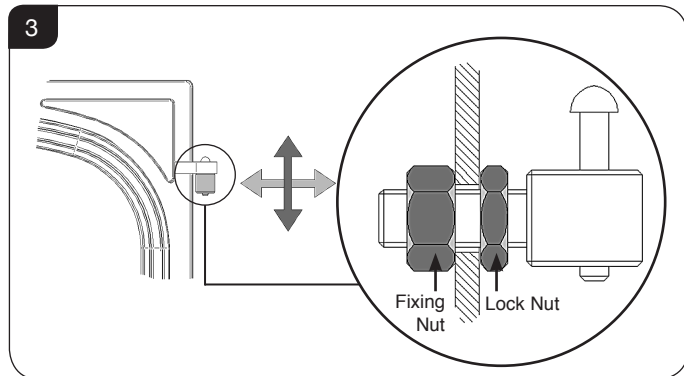
Maintenance & Servicing

5. Adjusting the Door Hinges

5.1 To maintain the safe use of your appliance, you may need to adjust the door hinges to ensure the door closes safely and correctly.

5.2 To complete this operation:

Open the door to give access to the fixed part of the door hinge as shown.



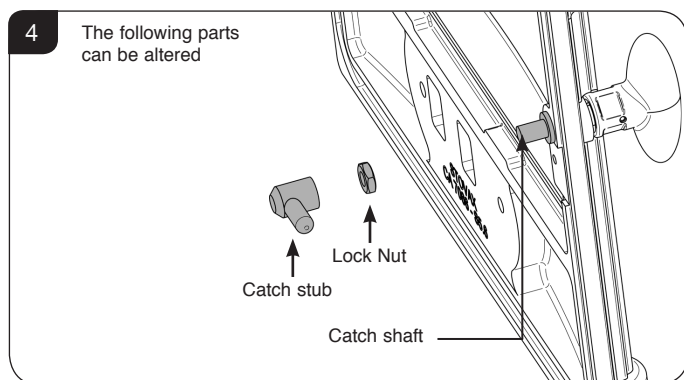
Use a 19mm A/F spanner to loosen the fixing nuts.

5.3 Reposition the hinge blocks to achieve a correct fit. This may require several adjustments to find the correct position

Once the desired position has been achieved ensure the fixing nuts are firmly tightened to maintain the position.

6. Adjusting the Door Catch

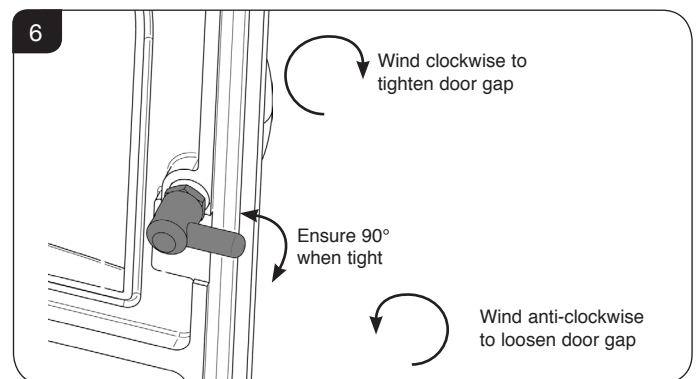
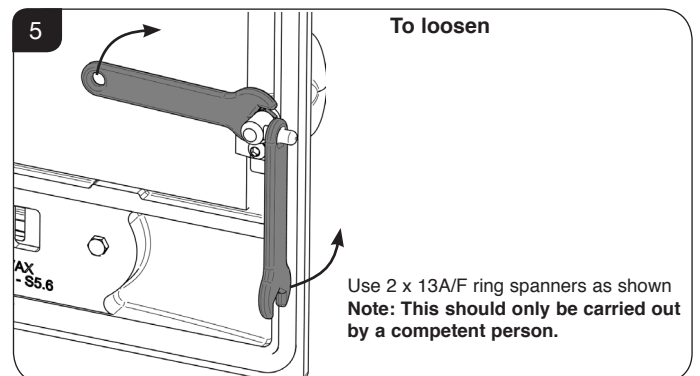
Alterations should only be carried out by a competent person if the door does not effectively seal and adjustment is required.



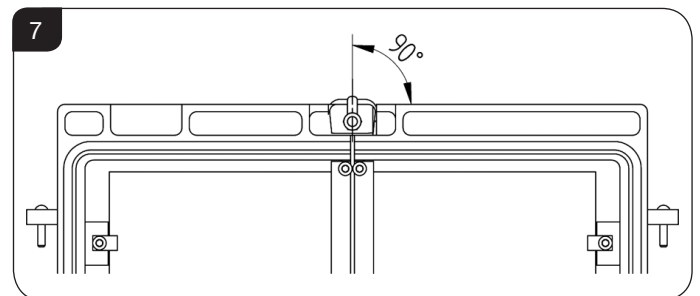
6.1 The door catch can be adjusted as required to move the door in or out to achieve effective sealing. It is also possible to adjust the catch to ensure the handle aligns vertically when shut.

6.2 The catch is held in place by a screw thread which can be turned to tighten or loosen.

Following alteration ensure the stub sits at 90° to ensure a vertical position when the door is shut and lock the nut and catch stub tightly together.



6.3 This process is the same for 1 and 2 door models, however 2 door models must sit vertical at 90°.



Technical Appendix

Legal Requirements

Before installation and/or use of this appliance please read these instructions carefully to ensure that all requirements are fully understood.

The appliance must be fitted by a registered installer*, or approved by your local building control officer.

It is very important to understand the requirements of the national Building Regulations† and standards‡, along with any local regulations and working practices that may apply. Should any conflict occur between these instructions and these regulations then the regulations must apply.

Your local Building Control Office can advise regarding the requirements of the regulations.

i † England and Wales – Document J / Scotland - Part F/Document J (Republic of Ireland only)
‡ the latest edition of BS 8303, BS EN 15287, BS 7566

*Registered on the Competent Persons Scheme (GB only) see page 29/ INFO (Republic of Ireland).

Works must be carried out with care to meet the requirements of Health and Safety† and comply with the Health and Safety rules**, and any new regulations introduced during the lifetime of these instructions. Particular attention should be drawn to:

- **Handling:** The appliance is heavy. Adequate facilities must be available for loading, unloading and on site handling.
- **Fire Cement:** Some fire cement is caustic and must not come into contact with the skin. Protective gloves must be worn. Wash hands thoroughly with plenty of water after contact with skin.
- **Asbestos:** This appliance contains no asbestos. If there is the possibility of disturbing any asbestos in the course of installation seek specialist guidance and use appropriate equipment.
- **Metal Parts:** Take care when installing or servicing the stove to avoid personal injury.

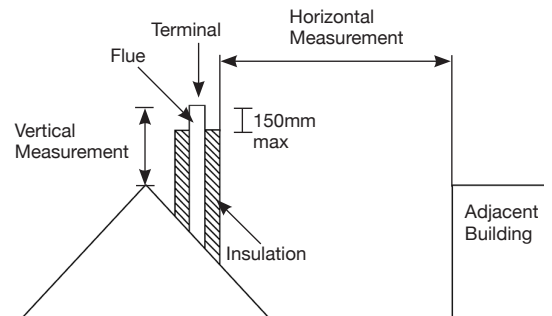
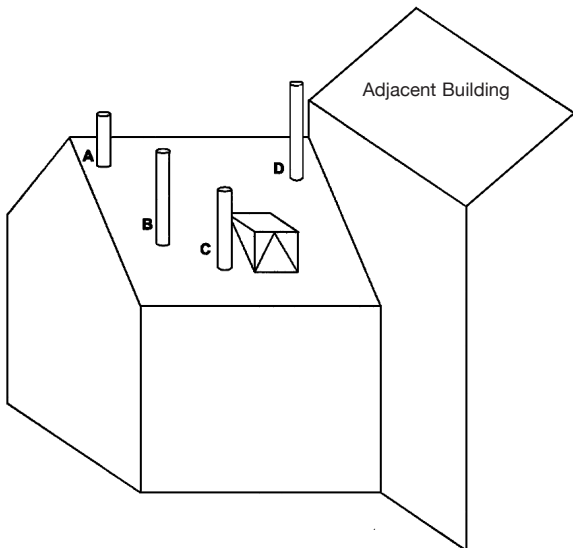
A faulty installation can cause danger to the inhabitants and structure of the building.

For users of this appliance:

Your building insurance company may require you to inform them that a new heating appliance has been installed on your property. Check that your cover is still valid after installing the appliance.

1. Flue Outlet Positions

These positions are defined by Document J of the Building Regulations.



The datum for vertical measurement is the point of discharge of the flue from either the point of discharge of the flue or 150mm above insulation, whichever is the lower.

IMPORTANT: Seek specialist advice if installing in a dwelling with a thatched roof

Point where the flue passes through weather surface (Notes 1 & 2)		Clearances to flue outlet
A	At or within 600mm of the ridge	At least 600mm above ridge
B	Elsewhere on roof (whether pitched or flat)	At least 2300mm horizontally from the nearest point on the weather surface and: a) at least 1000mm above highest point of intersection of the chimney with and the weather surface; or b) at least as high as the ridge
C	Below (on a pitched roof) or within 2300mm horizontally to openable rooflight, dormer window, or other opening (Note 3)	At least 1000mm above the top of opening
D	Within 2300mm of an adjoining or adjacent building, whether or not beyond the boundary (Note 3)	At least 600mm above any part of the adjacent of building within 2300mm

1) The weather surface is the building external surface, such as it's roof tiles or external walls.
2) A flat roof has a pitch less than 10°.
3) The clearance given for A or B, as appropriate, will also apply.
4) A vertical flue fixed to an outside wall should be treated as equivalent to an inside flue emerging at the nearest edge of the roof.

Technical Appendix - Flues

2. Flue or Chimney

- 2.1 The flue or chimney system must be in good condition. It must be inspected by a competent person and passed for use with the appliance before installation.
- Products of combustion entering the room can cause serious health risks.
- 2.2 The following must be checked:
- The construction of the masonry chimneys, flue block chimneys and connecting flue pipe system must meet the requirements of the Building Regulations†.
 - A flexible flue liner system can be used if certified for use with solid fuel systems and installation complies with manufacturer's instructions and Building Regulations†. The flue liner must be replaced when an appliance is replaced, unless proven to be recently installed and in good condition.
 - If it is necessary to fit a register plate it must conform to the Building Regulations†.
 - The minimum height of the flue or chimney must be 4.5m from the hearth to the top of the flue, with no horizontal sections and a maximum of 4 bends. Bends must have angles of less than 45 degrees from the vertical.
 - Ensure the connecting flue pipe is kept a suitable distance from any combustible material and does not form part of the supporting structure of the building.
 - Make provision to remove the appliance without the need to dismantle the chimney.
 - Any existing flue must be confirmed as suitable for the new intended use as defined in the Building Regulations†.
 - The flue or chimney systems must be inspected and swept to confirm the system is structurally sound and free from obstructions**.
 - If the chimney is believed to have previously served an open fire it must be swept a second time within a month of regular use after installation to clear any soot falls that may have occurred due to difference in combustion levels.
 - The flue exit from the building must comply with local building control rules†.
 - Do not connect or share the flue or chimney system with another heating appliance.
- 2.3 Do not connect to systems containing large voids or spaces over 230mm square.
- 2.4 Suitable access must be provided to enable the collection and removal of debris.
- 2.5 The flue must be swept and inspected when the appliance is installed.

Flue Draught

The flue draught must be checked with all windows and doors closed and any extraction fans in this, or adjoining rooms, running at maximum speed (see Installation Checklist for ventilation requirements).

Twin Wall Flue System

If this appliance is to be used in conjunction with a twin wall flue system then Stovax recommend the use of their Professional XQ range. Details of this product are available from your Stovax retailer.



In the U.K:

***BS EN 15287: Part 1, and the requirements of Building Regulations**

****This should be done by a NACS registered (UK only)/INFO registered (Eire only) chimney sweep, who will issue you with a certificate.**

† Building Regulations Document J

Flue Plate:

Where a hearth, fireplace, flue or chimney is provided or extended (including cases where a flue is provided as part of refurbishment work), information essential to the correct appliance and use of these should be permanently posted in the building, to meet Requirement J4 of the Building Regulations (England and Wales), F3.12 (Scotland).

Additional:

A new factory made system that complies to EN 1856; Part 1 can be used providing installation is to the requirements of:

- i) BS 7566 Parts 1 -4**
- ii) the manufacturer's instructions**
- iii) Building Regulations.**

For a guide containing information on Chimneys and Flues contact:

**The British Flue & Chimney Manufacturers' Association,
FETA
2 Waltham Court
Milley Lane
Hare Hatch
Reading
Berkshire RG10 9TH**

Tel: 0118 9403416

e-mail: info@feta.co.uk

Ventilation - Technical Appendix

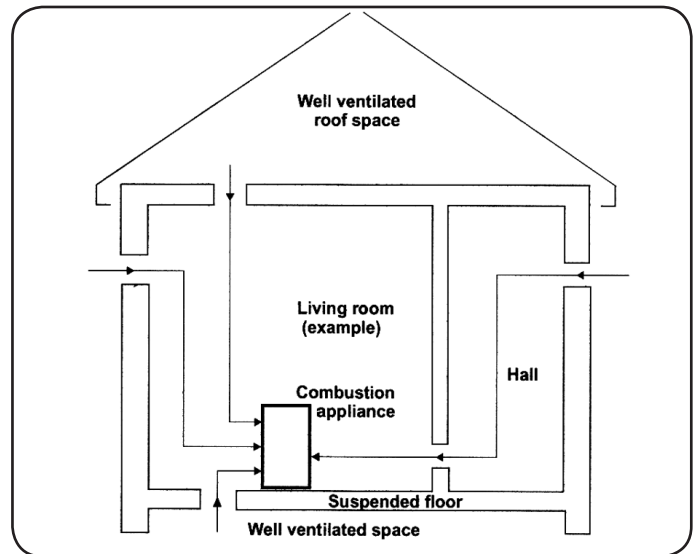
3. Ventilation

3.1 Many older buildings are sufficiently ventilated by natural leakage of air to provide suitable air supply for an appliance of 5kW output or less.

Modern building techniques have reduced the amount of air that leaks in or out of a house. A modern construction with an air tightness of less than 5m³ per hour per m² requires an air vent for **ALL** solid fuel appliances including those with a rated heat output of less than 5kW.

NOTE: The air leakage of a modern house is tested at the completion of construction and a certificate issued confirming this.

- 3.2 This appliance requires a constant supply of air to maintain proper combustion and effective flue performance.
- 3.3 An inadequate air supply can result in poor combustion and smoke entering the room which is potentially dangerous.
- 3.4 This supply of air can come from either:
- The natural leakage of air into the room in which the product is fitted.
 - Purpose provided ventilation.
 - Some Stovax appliances can also be fitted with an optional outdoor air kit which allows air to be drawn in from the outside.
- 3.5 The amount of air required must comply with local building regulations and the rules in force.
- 3.6 If spillage is detected during commissioning then there may be insufficient natural ventilation and an additional air supply will be necessary.
- 3.7 Permanent air vents should be non-adjustable and positioned where they are unlikely to become blocked.
- 3.8 If vents open into adjoining rooms or spaces there must be an air vent of at least the same size direct to the outside.
- 3.9 Site the vents where cold draught is unlikely to cause discomfort. This can be avoided by placing vents near ceilings or close to the appliance (See diagram).
- 3.10 Extractor fans or cooker hoods must not be placed in the same room or space as this can cause the appliance to emit fumes into the room.
- 3.11 Increase air supply provisions where a room contains multiple appliances.
- 3.12 **If any checks reveal problems do not proceed with the fitting of the appliance until they have been rectified.**



4. Minimum Dimensions - Hearth

- 4.1 The appliance must stand on a non-combustible constructional hearth which is at least 125mm thick with the minimum dimensions as shown in diagram. As this appliance can be installed in an elevated setting it is recommended to increase the 225mm hearth depth to safely contain any falling logs or embers. The higher the appliance is installed the deeper the hearth should be to protect the floor.
- 4.2 The building must have a suitable load-bearing capacity for the hearth and appliance. Consult a structural engineer for advice before proceeding.
- 4.3 When fitting into an existing hearth check that the appliance complies with current construction regulations and is at least the minimum sizes shown.
- 4.4 If there is no existing fireplace or chimney it is possible to construct a suitable non-combustible housing and hearth setting. The flue must be installed in accordance with all local and national regulations and current rules in force.
- 4.5 Check if adding a new chimney to your property requires planning permission.
- 4.6 Some houses are built using a timber frame construction with high levels of thermal insulation. Isolate the appliance from combustible materials, and provide sufficient ventilation to maintain the heating efficiency.

Technical Appendix - Ventilation

5. Fitting Appliances On A Boat

- 5.1 If an appliance is to be fitted in a boat it must be done in accordance with the latest edition of BS 8511 (Code of Practice for the Installation of Solid Fuel Heating Appliances on Boats). The Code covers the design, installation and operation of solid fuel heating appliances that are suitable for fitting into inland waterway boats, and gives guidance on product selection, design considerations, installation requirements, inspection and testing, as well as maintenance and safe use tips.
- 5.2 Consideration should also be given to the requirements of the Boat Safety Scheme (BSS) to ensure the boat's insurance remains valid.
- 5.3 The appliance should only be installed by a competent person with experience of the latest edition of BS 8511 and the Boat Safety Scheme (BSS).
- 5.4 Secure the product to a suitably constructed non-combustible hearth.
- 5.5 All open flued appliances can be affected by temporary atmospheric conditions which may allow fumes to enter the boat. An electronic carbon monoxide detector conforming to the latest edition of BSEN50292 must be fitted and maintained.
- 5.6 Failure to safely install the appliance could endanger the boat and persons on board.



Organisations authorised to certify competence in the installation of domestic solid fuel appliances (Competent Persons Scheme):

APHC - Association of Plumbing and Heating Contractors (Certification) Ltd.
www.aphc.co.uk

BESCA - Building Engineering Services Competence Accreditation Ltd.
www.besca.org.uk

HETAS - Heating Equipment Testing and Approval Scheme Ltd.
www.hetas.co.uk

NAPIT - National Association of Professional Inspectors and Testers Ltd.
www.napit.org.uk

NICEIC - NICEIC Group Ltd.
www.niceic.org.uk

HETAS Approved Chimney Sweeps:

NACS - The National Association of Chimney Sweeps
www.chimneyworks.co.uk

APICS - The Association of Master Chimney Sweeps Ltd.
www.apics.org

The Guild of Master Chimney Sweeps -
guildofmasterchimneysweeps.co.uk

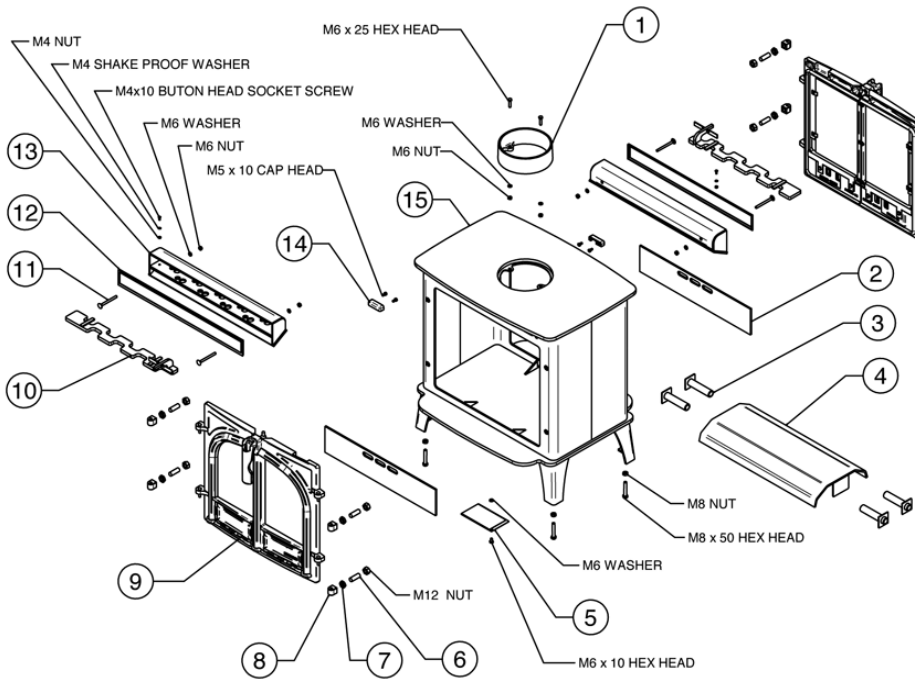
Information Requirement - Solid Fuel

Product Fiche - Information Requirement for Solid Fuel Local Space Heater

Model	Stockton 8	Stockton 11
Direct Efficiency Class	A	C
Direct Heat Output (kW)	9.00	11.00
Indirect Output (kW)	-	-
Energy Efficiency Index (EEI)	90	78
Useful Energy Efficiency at Nominal Heat Output	69%	61%
Safety Precautions	Appliance must be installed, Used and Maintained in accordance with the manufacturers instructions supplied	

Basic Spare Parts

Flat Top Single Double Stove

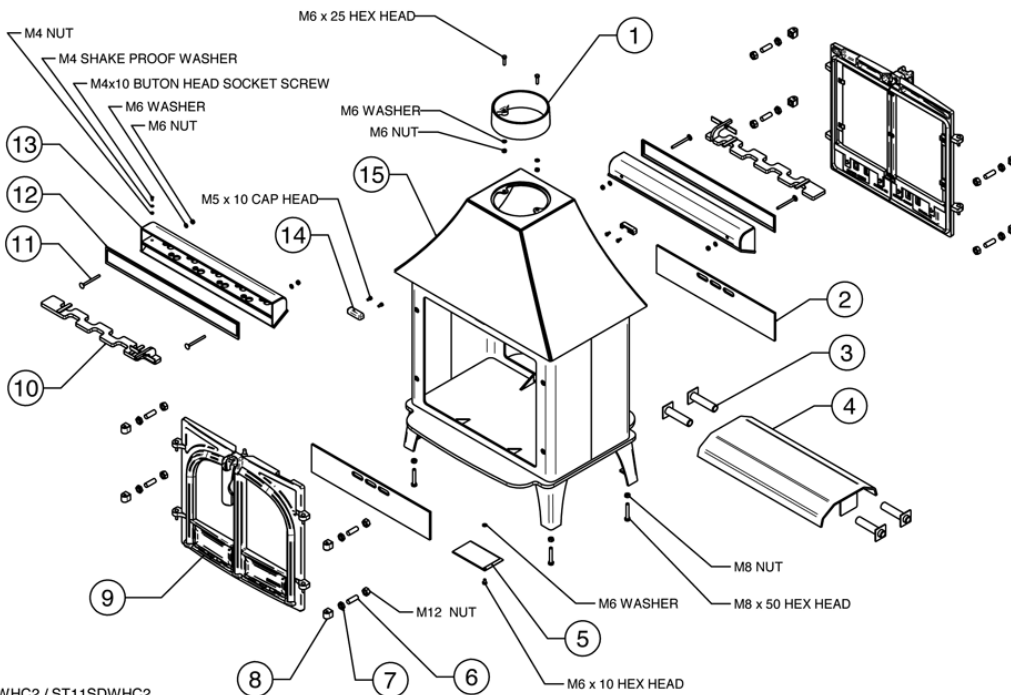


ST8SDW2 / ST11SDW2

PR9407-1

Ref No.	Description
1	Stockton Flue Collar
2	Log Retainer Plate
3	Baffle Extension Tube
4	Baffle Assembly
5	Data Plate Mount
6	M12 x 35 Stud
7	M12 Half Lock Nut
8	Hinge Block
9	Stockton 8 - 2 Door Assembly Stockton 11 - 2 Door Assembly
10	Airwash Slider
11	Coach Bolt
12	10 x 2 S/A Flat Black Airwash Chamber Rope
13	Airwash
14	Catch
15	Flat Top Carcass High Top Canopy Carcass

High Canopy Single Double Stove



ST8SDWHC2 / ST11SDWHC2

PR9408-1



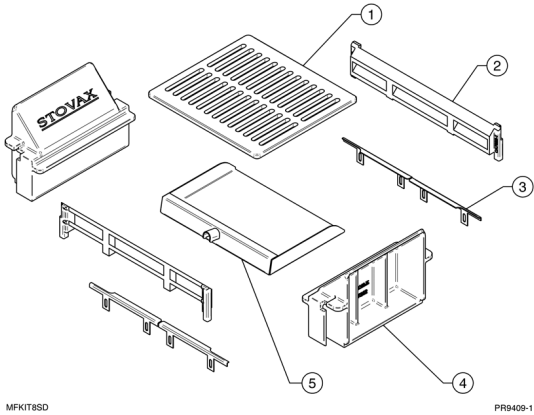
Due to continual technical improvements please check online or with your Stovax retailer for the most up to date parts lists.

Only use Genuine Stovax spares when servicing your appliance.

All of our essential spare parts and consumable items are available to purchase from our webshop at www.stovaxspares.com.

Basic Spare Parts

8SD Multi-Fuel Kit

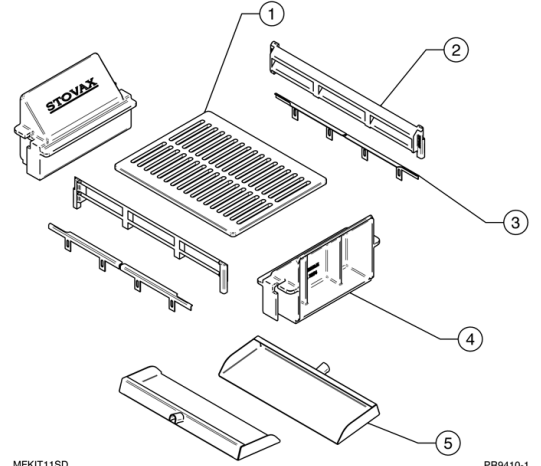


MFKIT8SD

PR9409-1

Ref No.	Description
1	Main Grate
2	Log Guard
3	Mid Door Seals
4	Grate Side Support
5	Ashpan

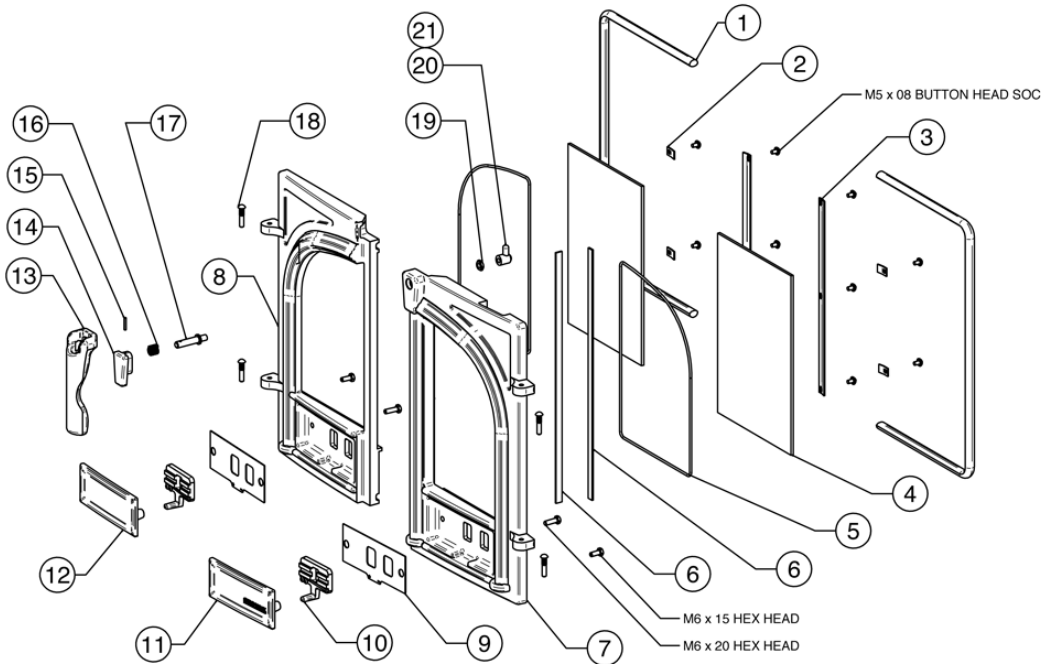
11SD Multi-Fuel Kit



MFKIT11SD

PR9410-1

2 Door Assembly



ST8W2 / ST8WLC2 / ST8WHC2 / ST8MF2 / ST8SLW2 /
ST8NMF2 / ST8SDW2 / ST8SDWHC2 / ST11W2 /
ST11WLC2 / ST11WHC2 / ST11SDW2 / ST11SDWHC2

PR9307-2

Ref No.	Description
1	ø13 Round Black Rope
2	Thin Glass Clip
3	2 Door Fixing Clip
4	Glass
5	ø3 Round Black Rope
6	10 x 2 Flat Black
7	RH Door
8	LH Door
9	Primary Air Slider Plate
10	Primary Slider Mk2
11	RH Air Control Cover
12	LH Air Control Cover
13	Multi-function Door Tool
14	2 Door Knob
15	Spirol Pin
16	Spring
17	Door Spindle Shaft
18	Hinge Pin
19	M8 Self Locking Nut
20	2 Door Spindle Catch Block Assembly
21	2 Door Spindle Assembly



Due to continual technical improvements please check online or with your Stovax retailer for the most up to date parts lists.

Only use Genuine Stovax spares when servicing your appliance.

All of our essential spare parts and consumable items are available to purchase from our webshop at www.stovaxspares.com.

Service Records

1ST SERVICE

Date of Service:.....

Next Service Due:.....

Signed:.....

Retailer's Stamp/HETAS Registration Number

3RD SERVICE

Date of Service:.....

Next Service Due:.....

Signed:.....

Retailer's Stamp/HETAS Registration Number

5TH SERVICE

Date of Service:.....

Next Service Due:.....

Signed:.....

Retailer's Stamp/HETAS Registration Number

7TH SERVICE

Date of Service:.....

Next Service Due:.....

Signed:.....

Retailer's Stamp/HETAS Registration Number

9TH SERVICE

Date of Service:.....

Next Service Due:.....

Signed:.....

Retailer's Stamp/HETAS Registration Number

2ND SERVICE

Date of Service:.....

Next Service Due:.....

Signed:.....

Retailer's Stamp/HETAS Registration Number

4TH SERVICE

Date of Service:.....

Next Service Due:.....

Signed:.....

Retailer's Stamp/HETAS Registration Number

6TH SERVICE

Date of Service:.....

Next Service Due:.....

Signed:.....

Retailer's Stamp/HETAS Registration Number

8TH SERVICE

Date of Service:.....

Next Service Due:.....

Signed:.....

Retailer's Stamp/HETAS Registration Number

10TH SERVICE

Date of Service:.....

Next Service Due:.....

Signed:.....

Retailer's Stamp/HETAS Registration Number



HETAS Approval

These appliances have been approved by HETAS as an intermittent operating appliance for burning dry seasoned wood logs and anthracite or manufactured briquette smokeless fuels.

Recommended Fuels

Please note that HETAS Appliance Approval only covers the use of dry seasoned wood logs and anthracite or manufactured briquette smokeless fuels on these appliances. HETAS approval does not cover the use of other fuels either alone or mixed with the recommended fuels, nor does it cover instructions for the use of other fuels.

STOVAX

Stovax Ltd, Falcon Road, Sowton Industrial Estate, Exeter, Devon, England EX2 7LF
Tel: (01392) 474011 Fax: (01392) 219932 E-mail: info@stovax.com www.stovax.com

E & O E