

Conventional Flue Stove Range

Flue Collar Fitting Addendum



THIS ADDENDUM MUST BE ATTACHED TO AND READ IN CONJUNCTION WITH THE INSTALLATION AND USER INSTRUCTIONS FOR:

- PR2482 Marlborough2 Installation Instructions
- PR2484 Stockton2 Installation Instructions

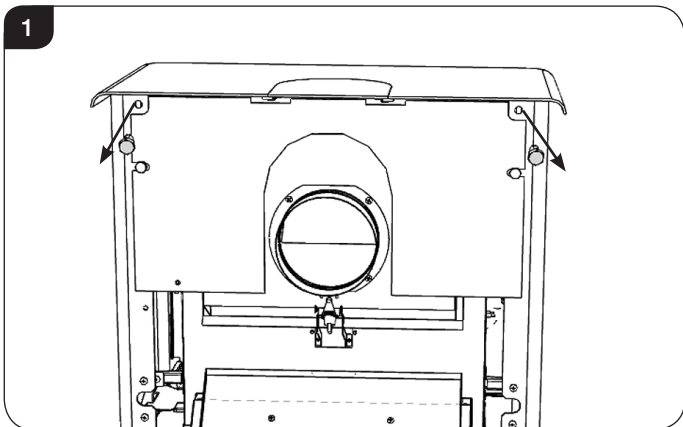
Due to alterations in the manufacturing process it has been necessary to amend the supporting literature. Following publication of the above manuals additional information is required in the following sections:

- Installation Instructions, Section 3 Installation of the Appliance

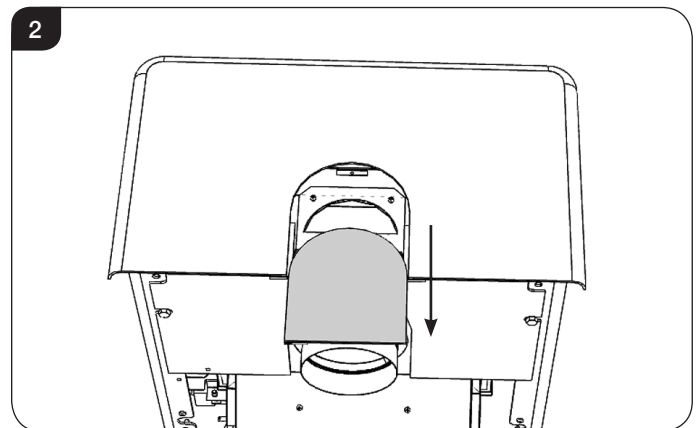
The replacement sections below supersede any other instructions relating to installing the appliance in the instruction manual.

3. Installation of the Appliance

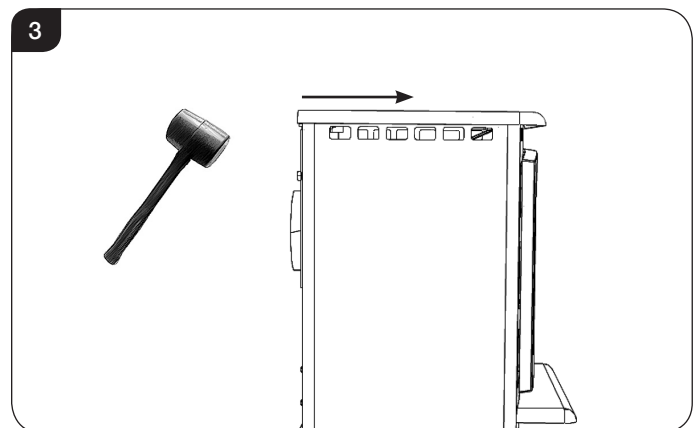
- 3.1 Decide whether to use top or rear flue exit. The appliance is factory built for rear flue exit but it can be changed to top exit by swapping the flue spigot and blanking plate located on the appliance.
- 3.2 To convert to a top exit first remove the top 2 bolts from the back of the appliance, see Diagram 1.



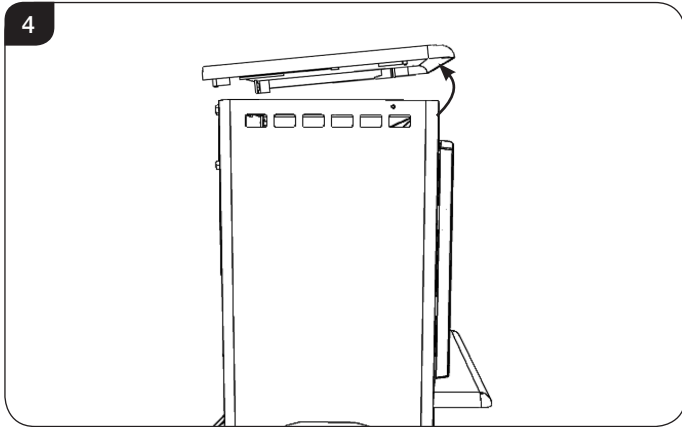
- 3.3 Slide the decorative flue cover to the rear, see Diagram 2.



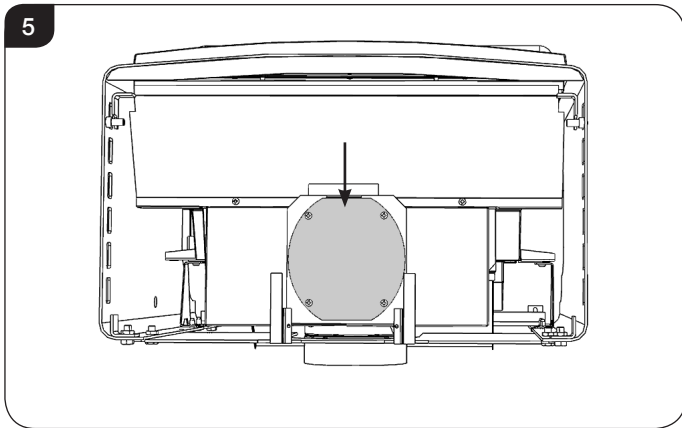
- 3.4 Gently tap the rear of the appliance top plate to free from the internal fixings, see Diagram 3.
Note: Use a rubber mallet or similar to avoid damaging the top plate.



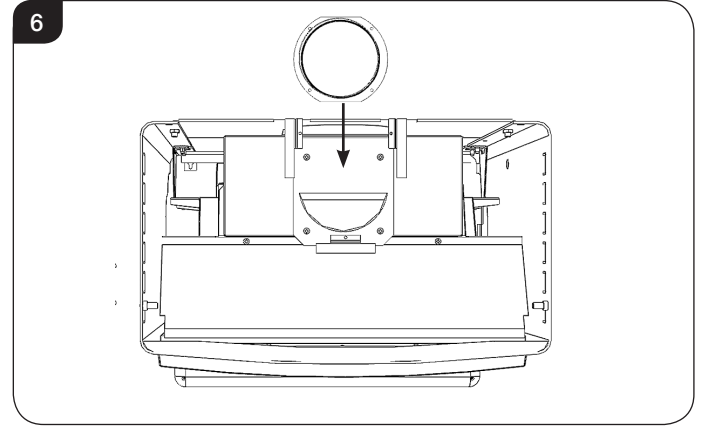
- 3.5 Lift the top plate off the appliance by tilting backwards, see Diagram 4.



- 3.6 Remove the blanking plate from the top of the appliance, see Diagram 5.



- 3.7 Fit the flue spigot in the top orientation and secure with the 4 screws, see Diagram 6.



- 3.8 Replace the top plate in the reverse order and secure with the 2 bolts in the rear of the carcass.
- 3.9 Fit the blanking plate to the rear of the appliance, covering the position the spigot was removed from. The flue cover is no longer needed.

Gazco Limited, Osprey Road, Sowton Industrial Estate, Exeter, Devon, England EX2 7JG
Technical Customer Services: (01392) 261950 Fax: (01392) 261951
E-mail: technicalservices@gazco.com