

## Riva Studio Heat Shield



For use with: RVFS-500/RVFS-1/RVFS-2/RVFS-3  
(Only when installed on a Stovax Bench option)

### Instructions for Use, Installation & Servicing For use in GB & IE (Great Britain & Republic of Ireland).

#### **IMPORTANT**

These instructions are designed to complement the appliance installation and user guide in order to install a Stovax Studio Freestanding. This supplement should be read in conjunction with the supplied manuals, in particular PM452 and PM205, to ensure all the correct installation procedures are followed in order to safely operate the appliance with a Heat Shield.

# Installation Instructions

Covering the following models:

Model	Studio 500 RVFS - 500	Studio 1 RVFS - 1	Studio 2 RVFS - 2	Studio 3 RVFS - 3
<b>Heat shield kit</b>	RVFS-500HSK	RVFS-1HSK	RVFS-2HSK	RVFS-3HSK
<b>Bench option</b>	RVACB100B RVACB100HT* RVACB120B RVACB120HT* RVACB140B RVACB140HT* RVACB180B RVACB180BHT* RVACLB100B RVACLB100BHT* RVACLB120B RVACLB120BHT* RVACLB140B RVACLB140BHT* RVACLB180B RVACLB180BHT*	RVACB100B RVACB100HT* RVACB120B RVACB120HT* RVACB140B RVACB140HT* RVACB180B RVACB180BHT* RVACLB100B RVACLB100BHT* RVACLB120B RVACLB120BHT* RVACLB140B RVACLB140BHT* RVACLB180B RVACLB180BHT*	RVACB120B RVACB120HT* RVACB140B RVACB140HT* RVACB180B RVACB180BHT* RVACLB120B RVACLB120BHT* RVACLB140B RVACLB140BHT* RVACLB180B RVACLB180BHT*	RVACB140B RVACB140HT* RVACB180B RVACB180BHT* RVACLB140B RVACLB140BHT* RVACLB180B RVACLB180BHT*

Note: A suffix of HT shows a product with packaging that conforms to ISPM15 requirements.

## Dimensions & Clearances

### Heat Shield Dimensions

Product Code	Description	Width (W) mm	Height (H) mm
RVFS-500HSK	Riva Studio 500 Freestanding – Heat shield kit	582	438
RVFS-1HSK	Riva Studio 1 Freestanding – Heat shield kit	780	439
RVFS-2HSK	Riva Studio 2 Freestanding – Heat shield kit	976	462
RVFS-3HSK	Riva Studio 3 Freestanding – Heat shield kit	1364	473

Fitting this heat shield allows a reduction in the clearance to combustible material dimensions to the values as listed, when the product is fitted to a Stovax Riva bench:-

Product	Side	Back*
Studio 500 RVFS - 500	300mm	75mm
Studio 1 RVFS - 1	300mm	75mm
Studio 2 RVFS - 2	300mm	75mm
Studio 3 RVFS - 3	300mm	75mm

\* This Dimension is measured from the back of the Heat Shield.

Ensure the correct clearance to combustible materials is maintained from any connecting flue pipes, as detailed in ADJ of Building Regulations.

# Installation Instructions

## Packing List

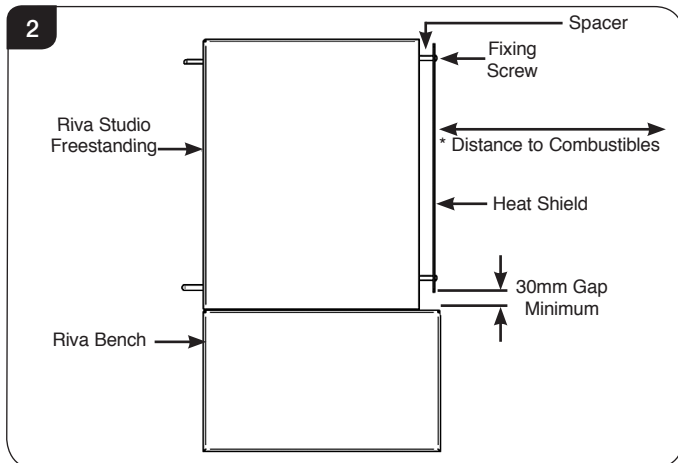
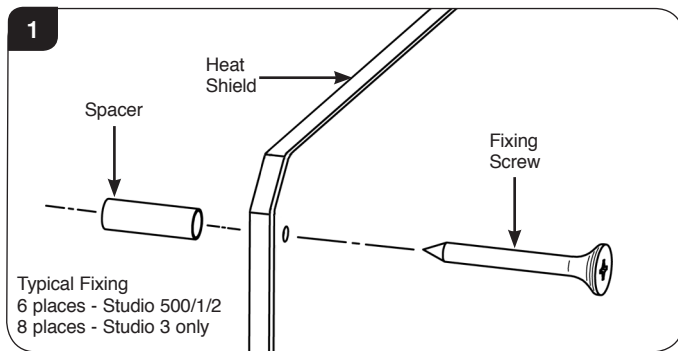
- 1 x Instructions
- 1 x Heat shield
- 6 x Spacer - Studio models 500/1/2 only
- 6 x Fixing screw - Studio models 500/1/2 only
- 8 x Spacer - Studio 3 only
- 8 x Fixing screw - Studio 3 only
- 1 x Fixing screw key

## Tools Required

Fixing screw key supplied

## 1. Installation - All Models

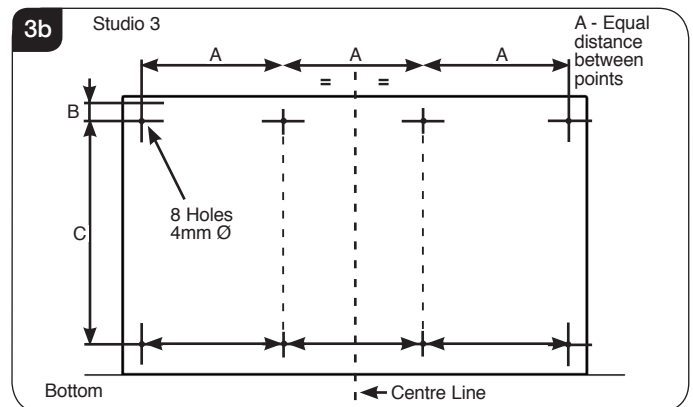
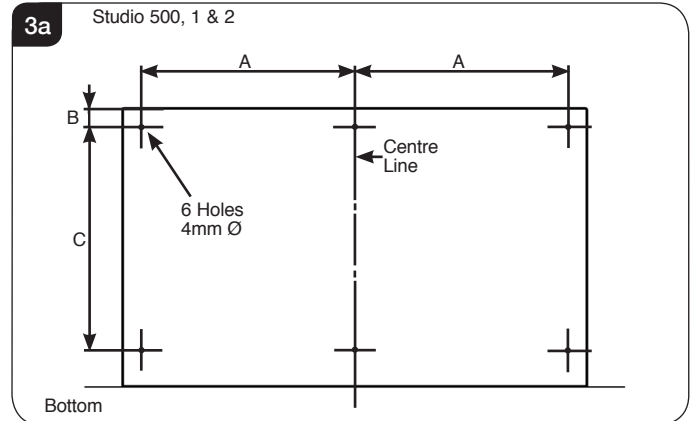
- 1.1 To fit the heat shield, locate it into position using the fixing screws and spacers supplied as shown. Using the pre-drilled pilot holes to locate the position. (See note), Diagrams 1 & 2.



- 1.2 Take care to not over tighten the fixing screws it using a power screwdriver.

There are 6 fixing points for the Studio 500, 1 & 2 models. The Studio 3 has 8.

**NOTE:** Some Studio products may not have the pre-drilled pilot holes. If this is the case drill 6/8 x 4mm diameter holes in the positions as shown.



Model	A	B	C
Studio 500	266	34	388
Studio 1	365	33	389
Studio 2	463	34	413
Studio 3	438	35	423

- 1.3 Continue to install the bench as detailed in PM205.

**Ensure the correct clearance to combustible materials is maintained from any connecting flue pipes, as detailed in ADJ of Building Regulations.**

# STOVAX

Stovax Ltd, Falcon Road, Sowton Industrial Estate, Exeter, Devon, England EX2 7LF  
Tel: (01392) 474011 Fax: (01392) 219932 E-mail: [info@stovax.com](mailto:info@stovax.com) [www.stovax.com](http://www.stovax.com)