

 **STOVAX**

STUDIO
air



User Instructions
Instructions d'utilisation
Istruzioni per l'utilizzo
Aansteken en gebruikersinstructies

GENERAL POINTS

IMPORTANT

THE OUTER CASING, FRONT AND GLASS PANEL BECOME EXTREMELY HOT DURING OPERATION AND WILL RESULT IN SERIOUS INJURY AND BURNS IF TOUCHED. IT IS THEREFORE RECOMMENDED THAT A FIREGUARD COMPLYING WITH BS 8423 (LATEST EDITION) IS USED IN THE PRESENCE OF YOUNG CHILDREN, THE ELDERLY OR INFIRM.
FUMES RESULTING FROM BLOCKED CHIMNEYS ARE DANGEROUS. KEEP THE CHIMNEY AND FLUE-PIPE CLEAR. SWEEP AND CLEAN ACCORDING TO MANUFACTURER'S INSTRUCTIONS.

All local regulations, including those referring to national and European Standards, need to be complied with when operating the appliance.

Do not attempt to burn rubbish in this appliance. Use only recommended fuels. Please read operating Instructions carefully before installation or use.

Keep these instructions in a safe place for future reference and when servicing the fire.

The appliance must be fitted by a registered installer, or approved by your local building control officer.

Only use for domestic heating in accordance with these operating instructions.

You must burn only approved fuels. Do not use with liquid fuels or as an incinerator.

Appliance surfaces become very hot when in use. Use a suitable fireguard if young children, elderly or infirm persons are present. Stovax offer firescreens, sparkguards and hearthgate systems for protection. Your Stovax dealer can advise you about these products.

Do not place photographs, TV's, paintings, porcelain or other combustible items on the wall or near the appliance. Exposure to hot temperatures will cause damage. Do not place furniture or other items such as drying clothing closer than 1m from the front of this appliance.

WARNING: Extra fuel should not be stored on or next to the appliance. Only keep enough fuel for immediate use nearby and never leave the appliance unattended for long periods with any combustible material in close proximity.

Extractor fans, cooker hoods and other heating devices placed in the same room or space as the appliance, may cause problems. Extra ventilation must be installed as per each appliance requirements.

The appliance shall not be installed with ventilating systems which have pressure below -15Pa

Do not obstruct inside or outside ventilation required for the safe use of this appliance.

Do not make unauthorised changes to the appliance.

The chimney must be swept at least once a year.

Do not connect, or share, the same flue or chimney system with another appliance.

WARNING



Properly installed, operated and maintained this appliance will not emit fumes into the room but occasional fumes from de-ashing and refuelling may occur.

Persistent fume emission is potentially dangerous and must not be tolerated.

If fume emission persists:

- Open doors and windows to ventilate the room.
- Leave the room.
- Allow fire to burn out or safely dispose of fuel from the appliance.
- Check for chimney blockage and clean if required.
- Do not attempt to relight until the cause of the emission has been identified and corrected.
- If necessary seek expert advice.
- All open flued appliances can be affected by temporary atmospheric conditions which may allow fumes to enter the house. Because of this an electronic carbon monoxide detector conforming to the latest edition of BSEN50291 must be fitted in the same room as the appliance. The existence of an alarm must not be considered a substitute for ensuring regular servicing and maintenance of the appliance and chimney system.

IF THE ALARM SOUNDS FOLLOW THE INSTRUCTIONS GIVEN ABOVE.

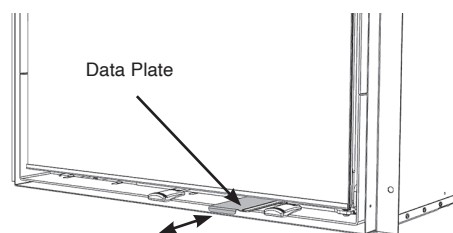


IMPORTANT: Stovax provide gauntlet style gloves for the users protection from heat and any sharp edges when using the appliance. For your safety ensure that gloves are always worn when opening, operating, refuelling or handling internal metalwork.

SERIAL NUMBER

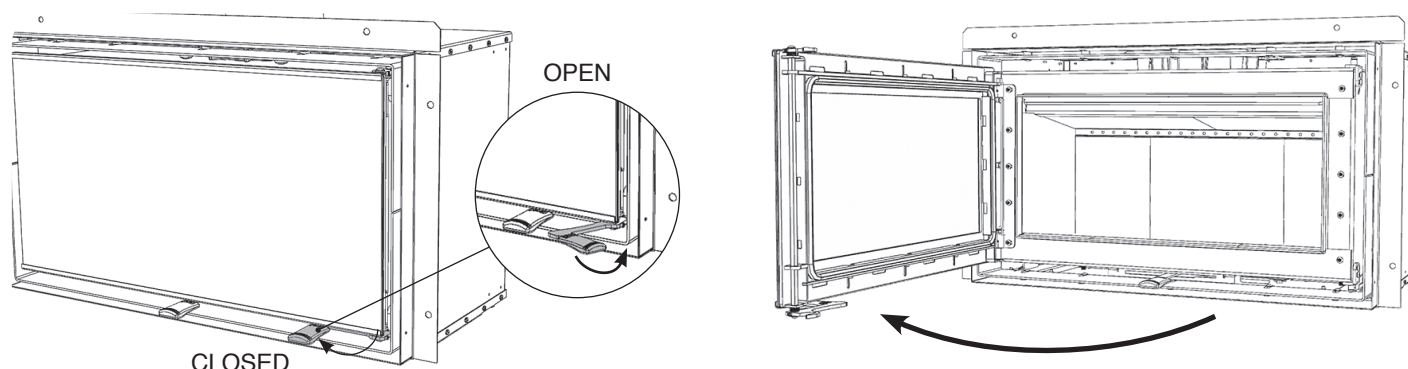
This number is required when ordering spare parts or making warranty claims.

The data plate is found:



GETTING STARTED

OPENING THE DOOR



CLEAN BURNING & YOUR STOVE

Stovax products are designed to produce secondary heating for your home and are designed to minimise atmospheric emissions which come from the burning of wood. However, this does require the following lighting technique and good quality fuel to optimise the start-up of the stove and get the flue up to operating temperature.

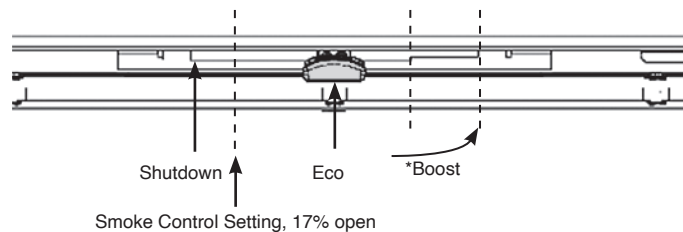
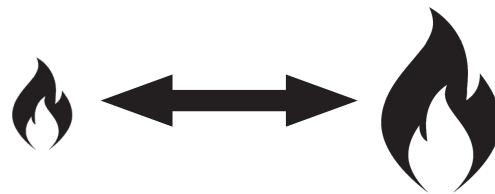
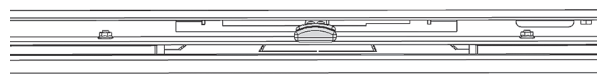
Stovax recommend you familiarise yourself with the operation of the fire, the correct type of seasoned fuel and stacking methods in order to get the best performance from your appliance.

Effective clean burning is achieved by the right flue draft conditions and the quality of the fuel used. Experience will help establish the preferred settings for use and ensure the optimum fuel consumption.



AIR CONTROLS

- Set the air controls to 50% to keep the appliance ventilated and stop the build-up of any moisture inside when the appliance is not in use for long periods of time.
- If there is still burning fuel in the firebox, do not shut down the air controls completely unless there is a chimney fire in progress.
- Closing the controls during the burning process will cause poor combustion and could lead to a build up of gasses that could ignite dangerously.
- Always have enough air entering the stove to maintain some flame within the firebox.
- If it is necessary to shut down the appliance then run on a high setting until all of the fuel has been burnt before closing the air controls.
- Close air controls when not in use after the burning process is completely finished.



LIGHTING

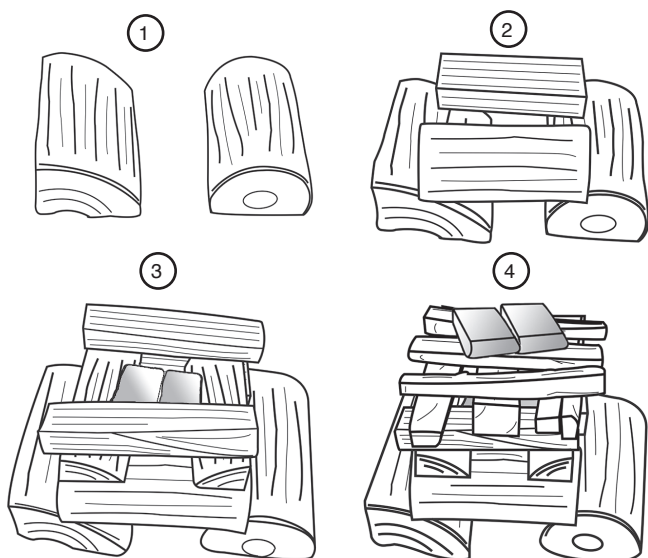


Before lighting the stove check with the installer that the installation work and commissioning checks described above have been carried out correctly and that the chimney has been swept clean, is sound and free from any obstructions. As part of the stoves' commissioning and handover the installer should have shown you how to operate the stove correctly.

To create an open stack for top down lighting:

- Place two medium sized logs parallel on the base of the firebox.
- Place two smaller logs on top running parallel across the bottom logs.
- Continue to build the stack using smaller logs and place firelighters in the centre.
- Finish the stack by adding two further logs and placing firelighters on top.

Add extra smaller kindling.



Kindling:

Finely chopped wood

Length 250mm

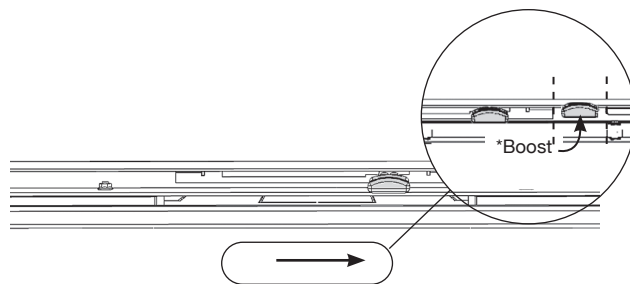
Diameter: 20mm

Weight per lighting: 2.0 kg (approx 8-12 finely chopped pieces)

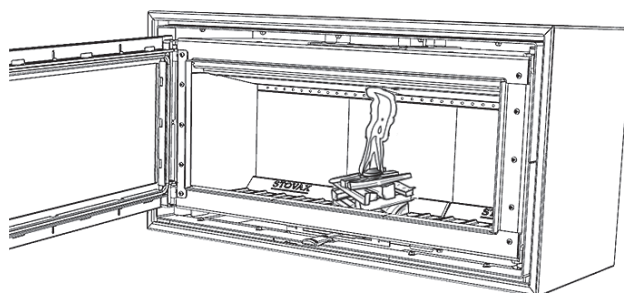
NOTE: Kindling is essential to allow the firebox to reach the correct operating temperature quickly. Incorrect start up can lead to excessive smoke and the fire going out when the door is shut. A successful fire initially requires plenty of kindling to establish a hot firebox and warm the chimney to aid flue performance. Use the Boost setting to establish the fire and during the initial moments of refuelling.

Do not run for long periods of time on this setting as this could over fire the appliance or damage the appliance.

Leave the door slightly open as the fire establishes and the glass warms to avoid build up of condensation.



* In order to achieve the Boost setting the slider needs to be lifted over the step in the mechanism.



USING THE APPLIANCE FOR THE FIRST TIME

To allow the appliance to settle, and fixing glues and paint to fully cure, operate the appliance at a low temperature for first few days.

Do not touch the paint during the first period of use.

During this time the appliance may give off some unpleasant odours. Keep the room well ventilated to avoid a build-up of fumes.

Please be aware that, during use, rope seals may discolour. This is normal.



IMPORTANT NOTES - GENERAL

Before lighting the stove check with the installer that the installation work and commissioning checks have been carried out correctly and that the chimney has been swept clean, is sound and free from any obstructions.

As part of the stoves' commissioning and handover the installer should have shown you how to operate the stove correctly.

Never use gasoline, gasoline-type lantern fuel, kerosene, charcoal lighter fluid, ethyl alcohol or similar liquids to start or "reignite" a fire in the heater. Keep all such liquids well away from the heater while it is in use.

RUNNING THE APPLIANCE



Prior lighting the appliance ensure the door seals are in good condition. **DO NOT USE** the appliance if any damage is observed.

Wood burns best on a bed of ash. The raised ribs on the grate are a good indication of the ideal depth.

Rake the embers evenly over the firebed and open the **Airwash Control** fully for a few minutes before re-fuelling.

Add new logs and stack in an open arrangement to enable the wood to burn effectively.



Open Stacking



Compact Stacking

Close the door immediately after refuelling.

REFUELLING

FEEDING FUEL

APPLIANCE	WOOD LENGTH	DIAMETER	FUEL CONSUMPTION
			KG/HOUR WOOD
Studio Air 1	375mm	126mm	1.6
Studio Air 2	450mm	126mm	2.51

Do not burn large amounts of fuel with the **Air Controls** closed (Shutdown position) for long periods of time. This reduces the glass cleaning effect, causes tars and creosotes to build-up in the appliance and flue system and will produce excessive amounts of smoke.

When in use, running the appliance at a high temperature for a short period also reduces tars and creosote.

When running the appliance **refuel little and often for efficient burning.**

Do not refuel when a large amount of flames are in the firebox as this could cause smoke or flames to spill into the room.

A bright and clean firebox indicates the appliance is burning well.

Do not load fuel above the log guard and the **Secondary Combustion Inlets** at the back of the firebox.

The maximum amount of fuel specified in this manual should not be exceeded, overloading can cause excess smoke.

Refuel a little and often to ensure a bright and clean burning stove.

Do not overload the firebox as this will cause poor performance and excessive smoke.

After refuelling:

Burn at a high temperature for a few minutes before adjusting the Air Controls.

WARNING: DO NOT OPERATE THE APPLIANCE WITH THE AIR CONTROL ON START UP FOR LONG PERIODS OF TIME AS THIS COULD CAUSE OVER-FIRING AND MAY CAUSE PERMANENT DAMAGE.



Do not burn construction timber, painted, impregnated / treated wood, manufactured board products or pallet wood.

Burn only wood logs with a moisture content of less than 20%.

Do not burn bituminous coal, 'petro-coke' or other petroleum based fuels as this invalidates the product guarantee.

RECOMMENDED FUELS

WOOD LOGS:

Burn only seasoned timber with a moisture content of less than 20%. To ensure this allow cut wood to dry for 12 to 18 months. **DO NOT BURN construction timber, painted, impregnated / treated wood, manufactured board products or pallet wood. DO NOT USE any form of candle as fuel. Melted wax will damage the appliance's moving parts.**

Choosing fuel:

All types of wood can be used as fuel in the appliance. Different types of wood have different densities: the greater the density of the wood the greater the energy value.

Oak, beech and birch have the highest value.

The correct moisture content for firewood that is ready to burn is below 20% moisture content.

If wood is too wet, it will be difficult to light, struggle to burn, give very little heat output and tar up the flue.

This could lead to a chimney fire, so it is important to burn sufficiently dried firewood.

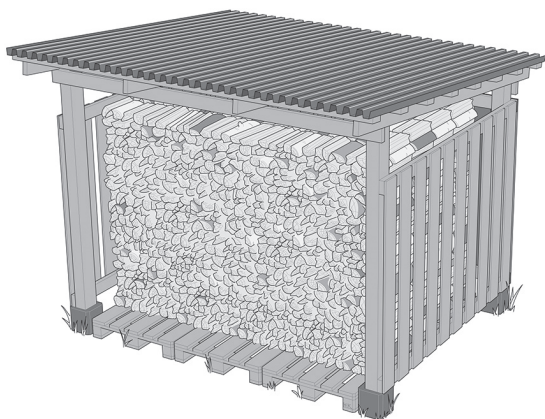
Dry wood gives more heat output, avoids blackening the appliance glass and there is minimal soot build up in the chimney or flue. More heat output equals less fuel.

Wood Storage:

To ensure thoroughly dry wood, cut in winter and store under a roof with plenty of room for air circulation.

Do not cover completely, leave a gap for air to pass over the wood and do not seal.

Bring wood intended for use inside and store for a few days prior to burning to ensure that the moisture has been sufficiently decreased.



ASH REMOVAL

Wood burns best on a bed of ash. The raised ribs on the grate are a good indication of the ideal depth.

Do not allow ash to build up in the appliance as it will not burn properly and may cause damage.

Remove ash with a small shovel (available from Stovax). Take care not to damage the ceramic lining of the appliance. Do not use sharp pointed pokers.

Remove ash carefully - heat can remain long after use.

Carefully place the ash into a Stovax Ash Caddy.

Do not place hot ash in a container made from plastic or any other combustible material.

OVER-FIRING

Do not over-fill with fuel or run at high temperatures for long periods or over-firing can occur.

DO NOT OPERATE THE APPLIANCE WITH THE PRIMARY AIR CONTROL OPEN FOR LONG PERIODS OF TIME AS THIS COULD CAUSE OVER-FIRING AND MAY CAUSE PERMANENT DAMAGE.

Over-firing can cause permanent damage to the appliance and invalid the product warranty.

CHIMNEY FIRE

If a chimney fire occurs:

- Shut all air controls immediately.
- Evacuate the building.
- Call the fire brigade.
- Do not re-enter the building until it is confirmed safe.

Do not use the appliance after a chimney fire until:

a) **It has been inspected by a registered installer, confirming the appliance is safe to use.**

b) The chimney system has been inspected and swept by a chimney sweep, confirming the system is structurally sound and free from obstruction.

c) **It is repaired as required before re-use.** Use only genuine Stovax replacement parts to keep your appliance in safe, efficient working order.

GENERAL CLEANING

Clean and inspect the appliance regularly, especially in periods of heavy use. Regular cleaning and maintenance will help give many years of safe use.

Allow appliance to cool thoroughly to avoid risk of burns.

Clean regularly, according to level of use.
Remove the ash completely.

Check internal components for damage - grates, bricks, baffles - and for obvious build up of soot, ash or debris above the flue baffle(s) (these can be found in the upper part of the firebox). Use a torch if necessary.
If there are any signs of a build up of debris above the flue baffle(s) either:

- Arrange for the chimney to be swept.
- Remove the baffles and clear the debris.

To refresh painted finishes a touch up spray is available.
Contact your Stovax retailer quoting the serial number found on the appliance data badge.

Do not use aerosol sprays near an operating appliance.

CLEANING GLASS

Keep the glass clean with correct use of the Airwash system and good quality fuel.

Sometimes additional cleaning may be required.
Before undertaking this operation allow appliance to cool fully. Do not clean hot glass.

On appliances with printed glass do not use cleaning agents that have a high alkaline or acidic content, these are aggressive cleaning agents designed to be used with heavily stained clear glass. On printed glass surfaces, use Stovax Glass Cleaner (Stovax No.4103) which is better formulated for this application.

Before applying a cleaning agent remove any dust and loose soot with a damp cloth.

Use an appropriate glass cleaner. Apply the cleaning fluid to a cloth before rubbing onto the glass.
Apply carefully and do not apply excessively. Try to prevent any run off which could soak into the rope seals around the edge of the glass.
Soot can also contain acidic particles that can cause corrosive damage to printed glass.

Remove dirt with a moist cloth and buff dry.

Some types of wood can cause a white residue to form on the glass.

If this occurs it should be cleaned off at least once a week during periods of heavy usage.

If the liquid cleaning agents recommended do not remove this residue Stovax offer a dry cleaning pad which will help remove heavy stains.

Before relighting the appliance ensure the glass is fully dried.
If the rope seal has absorbed excess cleaning agent it is advisable to replace the rope as soon as possible to preserve the printed finish of the glass.

CHIMNEY SWEEPING

To maintain safe and efficient use of the appliance, the chimney/ flue must be inspected and swept at least once a year by a qualified chimney sweep.

If the appliance is used continuously throughout the year, or it is used to burn wood, more frequent sweeping is recommended.

The best time to have the chimney swept is at the start of the heating season.

The chimney, any connecting flue pipe and the appliance flue ways, if incorporated, must be regularly cleaned.

Ensure adequate access for cleaning where it is not possible to sweep through the chimney.

If the chimney is believed to have previously served an open fire it must be swept a second time within a month of regular use after installation.

CO ALARMS

Building regulations require that a carbon monoxide alarm, complying with BS EN50291, must be fitted in the same room as the appliance.

Provision of an alarm must not be considered a substitute for either installing the appliance correctly or ensuring regular servicing and maintenance of the appliance and chimney system.

SERVICING AND SUPPORT



Servicing and Support

To keep your appliance looking and performing at its best, it must be serviced annually. This service must be undertaken by a suitably qualified individual and your retailer can organise this for you. Alternatively, Stovax offer a manufacturers premium service with our friendly team of qualified engineers which can be booked at www.stovax.com/support

TROUBLESHOOTING

Operation - Difficulty starting and maintaining a fire

- Ensure the wood used is less than 20% moisture.
- Warm the flue through the stove using a blowtorch or some newspaper.
- Ensure all air controls are being operated correctly.
- Open a nearby window to test the airflow in the room.
- Make sure the airways and flue are swept and in good condition. Any full or partial blockage will effect the performance of the appliance.
- Re-read the lighting instructions and ensure the correct procedure is followed including fuel amounts.

Glass Blackening

When burning wood and solid fuel there will always be some discolouration of the glass. However excessive build can be caused by:

- Wood with a moisture content of greater than 20% will have poor combustion and smoke, giving off tar and creosote.
- Low combustion temperature. This will not create sufficient flue draft leading to poor combustion and a fire that produces more smoke.
- Incorrect fuelling/refuelling leading to a poor fire or one that touches the glass.

Excessive smell of Smoke

- Weather conditions can result in wind blowing down the chimney when coming from certain directions.
- Door opened when lots of flames remained in the firebox.

Parts have become discoloured

- To allow the appliance to settle, and fixing glues and paint to fully cure, operate the appliance at a low temperature for first few days.
- Do not touch the paint during the first period of use.
- During this time the appliance may give off some unpleasant odours. Keep the room well ventilated to avoid a build-up of fumes.
- Please be aware that, during use, paint and rope seals may discolour. This is normal.

Warranty Issues - for full warranty terms and conditions see the booklet supplied with your appliance.

Should you experience problems with your Stove or Fireplace, any claim must be submitted first to the Expert Retailer from whom the product was purchased. Your Expert Retailer will either be able to offer immediate assistance or having visited you make contact with Stovax on your behalf. For a Service call to be arranged Stovax will require proof of registration, commissioning documents and service history if applicable (Service history required for all product over 12-months old). Any Warranty claim without the required information will be referred back to your Expert Retailer from whom you purchased it.



Due to continual technical improvements please check online or with your Stovax retailer for the most up to date parts lists.

Only use Genuine Stovax spares when servicing your appliance.

All of our essential spare parts and consumable items are available to purchase from our webshop at www.stovaxspares.com.

LEGAL REQUIREMENTS

Before installation and/or use of this appliance please read these instructions carefully to ensure that all requirements are fully understood.

The appliance must be fitted by a registered installer, or approved by your local building control officer.

It is very important to understand the requirements of the national Building Regulations and standards, along with any local regulations and working practices that may apply. Should any conflict occur between these instructions and these regulations then the regulations must apply.

Your local Building Control Office can advise regarding the requirements of the regulations.

HEALTH AND SAFETY PRECAUTIONS

Works must be carried out with care to meet the requirements of Health and Safety and comply with the Health and Safety rules, and any new regulations introduced during the lifetime of these instructions. Particular attention should be drawn to:

- **Handling:** The appliance is heavy. Adequate facilities must be available for loading, unloading and on site handling.
- **Fire Cement:** Some fire cement is caustic and must not come into contact with the skin. Protective gloves must be worn. Wash hands thoroughly with plenty of water after contact with skin.
- **Asbestos:** This appliance contains no asbestos. If there is the possibility of disturbing any asbestos in the course of installation seek specialist guidance and use appropriate equipment.
- **Metal Parts:** Take care when installing or servicing the stove to avoid personal injury.

A faulty installation can cause danger to the inhabitants and structure of the building.

For users of this appliance:

Your building insurance company may require you to inform them that a new heating appliance has been installed on your property. Check that your cover is still valid after installing the appliance.

Combustion Air Supply:

This appliance requires a constant supply of air to maintain proper combustion and effective flue performance.

An inadequate air supply can result in poor combustion and smoke entering the room which is potentially dangerous.

This supply of air can come from either:

- Purpose provided ventilation.
- Some Stovax appliances can also be fitted with an optional outdoor air kit which allows air to be drawn in from the outside.

The amount of air required must comply with local building regulations and the rules in force.

COMMISSIONING AND HANDOVER

Ensure all parts are fitted in accordance with the instructions.

On completion of the installation allow a suitable period of time for any fire cement and mortar to dry out, before lighting the stove. Once the appliance is operating check all seals for soundness and check that the flue is functioning correctly and that all products of combustion are vented safely to atmosphere via the chimney terminal.

On completion of the installation and commissioning ensure that the operating instructions for the appliance are left with the customer.

Ensure to advise the customer on the correct usage and warn them to use only the recommended fuel for the appliance.

Advise the user what to do should smoke or fumes be emitted from the appliance.

The customer should be warned to use a fireguard to BS 8423 (latest edition) in the presence of children, aged and/or infirm persons.

FLUE AND CHIMNEY

The flue or chimney system must be in good condition. It must be inspected by a competent person and passed for use with the appliance before installation.

Products of combustion entering the room can cause serious health risks.

The following must be checked:

- Prior to re-lighting after a prolonged shut down period check for blockage within the fire and the flue.
- The construction of the masonry chimneys, flue block chimneys and connecting flue pipe system must meet the requirements of the Building Regulations.
- A flexible flue liner system can be used if certified for use with solid fuel systems and installation complies with manufacturer's instructions and Building Regulations. The flue liner must be replaced when an appliance is replaced, unless proven to be recently installed and in good condition.
- If it is necessary to fit a register plate it must conform to the Building Regulations.
- The minimum height of the flue or chimney must be 4.5m from the hearth to the top of the flue, with no horizontal sections and a maximum of 4 bends. Bends must have angles of less than 45 degrees from the vertical.
- There should be at least 600mm of vertical flue pipe above the appliance before any bends are introduced.
- Ensure the connecting flue pipe is kept a suitable distance from any combustible material and does not form part of the supporting structure of the building.
- The installer must ensure the flue pipe diameter is not less than the diameter of the outlet of the appliance and does not narrow to less than the size of the outlet at any point in the system.
- Make provision to remove the appliance without the need to dismantle the chimney.
- Any existing flue must be confirmed as suitable for the new intended use as defined in the Building Regulations.
- The flue or chimney systems must be inspected and swept to confirm the system is structurally sound and free from obstructions.
- If the chimney is believed to have previously served an open fire it must be swept a second time within a month of regular use after installation to clear any soot falls that may have occurred due to difference in combustion levels.
- The flue exit from the building must comply with local building control rules.
- Chimney heights and/or separations may need to be increased in particular cases where wind exposure, surrounding tall buildings, high trees or high ground could have adverse effects on flue draught.
- Do not connect or share the flue or chimney system with another heating appliance.

Do not connect to systems containing large voids or spaces over 230mm square.

Suitable access must be provided to enable the collection and removal of debris.

The flue must be swept and inspected when the appliance is installed.

FLUE DRAUGHT

The flue draught must be checked with all windows and doors closed and any extraction fans in this, or adjoining rooms, running at maximum speed.

AEROSOL SPRAYS

Do not use an aerosol spray on or near the appliance when it is alight.

COMBUSTIBLE MATERIALS IN THE HOME

Do not place photographs, TV's, paintings, porcelain or other combustible items on the wall or near the appliance. Exposure to hot temperatures will cause damage. Do not place furniture or other items such as drying clothing closer than 1m from the front of this appliance.

WARNING: Extra fuel should not be stored on or next to the appliance. Only keep enough fuel for immediate use nearby and never leave the appliance unattended for long periods with any combustible material in close proximity.

PRODUCT MATERIAL INFORMATION

The following substances, preparations or components should be disposed of or recovered separately from other WEEE in compliance with Article 4 of EU Council Directive 75/442/EEC.

Metal	Steel	Can be taken to a local recycling centre for reuse to reduce waste going to landfill.
	Cast iron	
Glass		Can be taken to a local recycling centre for reuse to reduce waste going to landfill.
Vermiculite linings		Non-hazardous material. Vermiculite can be crushed up and used for plant bedding and ash used for composting or disposed of at a local recycling centre for reuse to reduce waste going to landfill.
Rope seals		Rope seals are made from Refractory Ceramic Fibre (RCF), a material which is commonly used for this application. Protective clothing is not required when handling these articles, but it is recommended to follow normal hygiene rules of not smoking, eating or drinking in the work area and always wash hands before eating or drinking. When servicing the appliance it is recommended that the replaced items are not broken up, but are sealed within heavy duty polythene bags and labelled as RCF waste. RCF waste is classed as stable, non-reactive hazardous waste and may be disposed of at a licensed landfill site.
Electrical components	(Fan kits etc if applicable)	Dispose of at a local recycling centre in accordance with the WEEE directive.

GÉNÉRALITÉS

IMPORTANT

L'EXTÉRIEUR, LA FACE AVANT ET LA VITRE DE CE POÊLE, DEVIENNENT TRÈS CHAUDS PENDANT SON UTILISATION ET TOUT CONTACT PEUT ÊTRE LA CAUSE DE BLESSURES GRAVES ET DE BRÛLURES. IL EST DONC FORTEMENT RECOMMANDÉ D'UTILISER Un Par-feu EN PRÉSENCE DE JEUNES ENFANTS, DE PERSONNES ÂGÉES OU HANDICAPÉES.

LES FUMÉES RÉSULTANT DES CHEMINÉES BOUCHÉES SONT DANGEREUSES. IL FAUT MAINTENIR LA CHEMINÉE ET LES CONDUITS DÉGAGÉS. RAMONER ET NETTOYER CONFORMÉMENT AUX INSTRUCTIONS DU FABRICANT.

Toutes les réglementations locales, y compris celles qui se rapportent aux normes nationales et européennes doivent être respectées pendant l'utilisation du poêle.

Ne pas essayer d'incinérer des déchets dans ce poêle. Lire attentivement ces instructions avant d'utiliser ce poêle.

Les instructions seront requises pour future référence et pour la maintenance du poêle. Avant de procéder à l'installation ou d'utiliser cet appareil, veuillez lire l'ensemble de ces instructions avec attention de manière à bien comprendre leurs exigences.

Cet appareil doit être installé par un installateur agréé, ou approuvé par le bureau de contrôle de construction le plus proche.

Toutes les réglementations locales, y compris celles qui se rapportent aux normes nationales et européennes doivent être respectées pendant l'installation du poêle. Cet appareil ne doit être utilisé que pour le chauffage domestique et conformément à ces instructions d'utilisation.

Ne brûler que des combustibles approuvés. Ne pas utiliser de combustibles liquides ou incinérer des déchets.

Les surfaces du poêle deviennent très chaudes en cours d'utilisation. Utiliser une protection appropriée si des enfants, des personnes âgées ou handicapées sont présents. Stovax offre des pare-feu, des grilles anti-feu et des grilles d'âtre pour plus de sécurité. Votre distributeur Stovax peut vous conseiller sur l'utilisation de ces produits.

Des articles en porcelaine ou autres matériaux combustibles sur le mur ou près du poêle. Leur exposition à une haute température peut les endommager. Ne pas placer de meubles ou d'autres appareils ménagers comme un sèche-linge à moins de 1 m du devant de cet appareil.

AVERTISSEMENT : Toute réserve de combustible ne doit pas être stockée sur ou à proximité de l'appareil. Veuillez ne conserver qu'une quantité de combustible suffisante pour un usage immédiat à proximité et ne laissez jamais l'appareil sans surveillance pendant une période prolongée lorsqu'il y a du combustible à proximité.

Les hottes aspirantes, les hottes de cuisson et autres appareils de chauffage placés dans la même pièce ou le même espace que l'appareil peuvent causer des problèmes. Une ventilation supplémentaire doit être installée en fonction des exigences de chaque appareil.

L'appareil ne doit pas être installé avec des systèmes de ventilation dont la pression est inférieure à -15Pa

Ne pas obstruer le dispositif de ventilation intérieur ou extérieur afin d'assurer le fonctionnement du poêle en toute sécurité.

Ne pas modifier cet appareil sans autorisation.

La cheminée doit être ramonée au moins deux fois par an dont 1 fois pendant la période d'utilisation.

Ne pas connecter ou partager le même conduit ou la même cheminée avec un autre appareil de chauffage.

AVERTISSEMENT



Cet appareil de chauffage n'émettra pas de fumée dans la pièce s'il est correctement installé, utilisé et entretenu.

De la fumée peut s'échapper occasionnellement pendant le vidage du bac à cendres ou lors du remplissage de combustible.

L'émission persistante de fumée est potentiellement dangereuse et elle ne doit pas être tolérée.

Si l'émission de fumée persiste :

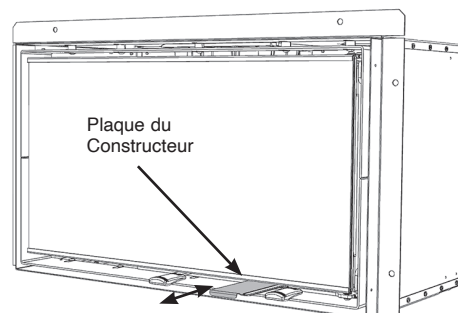
- Ouvrir les portes et les fenêtres pour ventiler la pièce.
- Quitter la pièce.
- Laisser brûler complètement le combustible ou vider le foyer en prenant toutes les précautions nécessaires.
- Vérifier que la cheminée n'est pas obstruée et la ramoner le cas échéant.
- Ne pas tenter de rallumer le poêle avant d'avoir identifié la cause de l'émission de fumée et remédié à ce dysfonctionnement.
- Demander au besoin conseil à un expert.
- Tous les appareils à tirage naturel peuvent être affectés par des conditions atmosphériques temporaires capables de repousser la fumée dans la maison. C'est la raison pour laquelle Stovax recommande la mise en place d'un détecteur de monoxyde de carbone dans la même pièce où est installé l'appareil. La présence d'une alarme ne doit pas être considérée comme un substitut pour un entretien et une maintenance régulière de l'appareil et de la cheminée.

SI L'ALARME RETENTIT, SUIVRE LES INSTRUCTIONS FOURNIES CI-DESSUS.

NUMÉRO DE SÉRIE

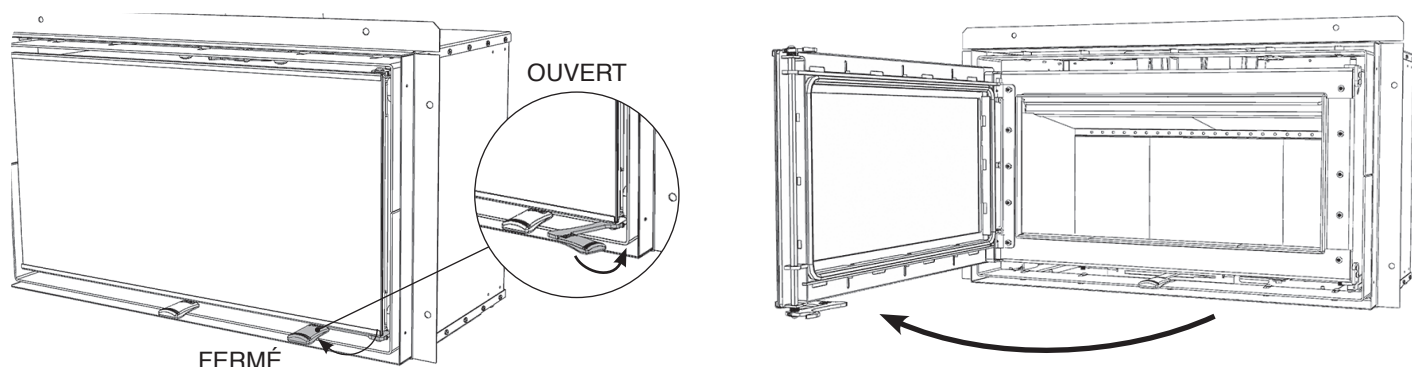
Ce numéro est requis pour commander des pièces de rechange ou faire une demande de dédommagement sous garantie.

La Plaque du Constructeur se trouve :



MISE EN ROUTE

OUVERTURE DE LA PORTE



FLAMMES PROPRES ET VOTRE POËLE

Les produits Stovax ont été conçus pour offrir un chauffage secondaire à votre maison et minimiser les émissions atmosphériques provenant du chauffage au bois. Mais cela exige la technique d'allumage suivante et un combustible de bonne qualité pour optimiser le démarrage du poêle et amener le conduit à la température de fonctionnement.

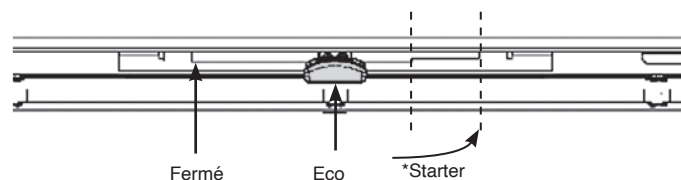
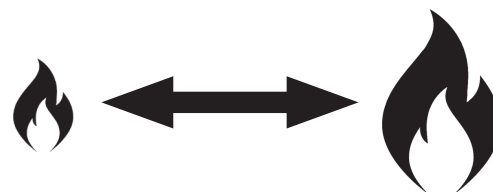
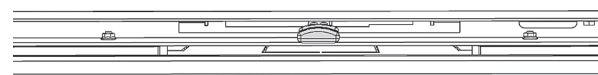
Stovax vous recommande de vous familiariser avec le fonctionnement du feu, le bon type de combustible sec et les méthodes d'empilement pour obtenir les meilleures performances de votre appareil.

L'effet flammes propres est obtenu avec les bonnes conditions de tirage de conduit et la qualité du combustible utilisé. L'expérience permettra de définir les réglages favoris et assurera une consommation optimale de combustible.



CONTRÔLES DE L'AIR

- Définir les réglages d'air à 50 % pour maintenir l'appareil aéré et arrêter l'accumulation d'humidité à l'intérieur lorsqu'il n'est pas utilisé pendant de longues périodes.
- S'il reste un combustible en train de brûler dans le foyer, ne pas fermer complètement les réglages d'air sauf si un feu de cheminée est en cours
- Fermer les réglages pendant le brûlage provoquera une mauvaise combustion et peut entraîner l'accumulation de gaz qui pourraient s'enflammer dangereusement.
- Toujours laisser suffisamment d'air pénétrer dans le poêle pour maintenir une flamme dans le foyer.
- S'il est nécessaire d'arrêter l'appareil, faire fonctionner sur un paramètre élevé jusqu'à ce que tout le combustible ait brûlé avant de fermer les réglages d'air.
- Fermer les commandes d'air non utilisées une fois le brûlage totalement achevé.



IMPORTANT:

Stovax fourni des gants avec manchette pour que l'utilisateur soit protégé de la chaleur et des côtés saillants de l'appareil. Pour votre sécurité assurez-vous de toujours utiliser les gants lors de l'ouverture, l'utilisation, le rechargement ou la manipulation des composants de l'appareil.



**NE JAMAIS OUVRIR LA PORTE À MAIN NUE
NE PAS OUVRIR LES PORTES LORSQUE LE
FOYER EST PLEIN DE FLAMMES - ATTENDRE
QU'ELLES S'ÉTEIGNENT.**

ALLUMAGE

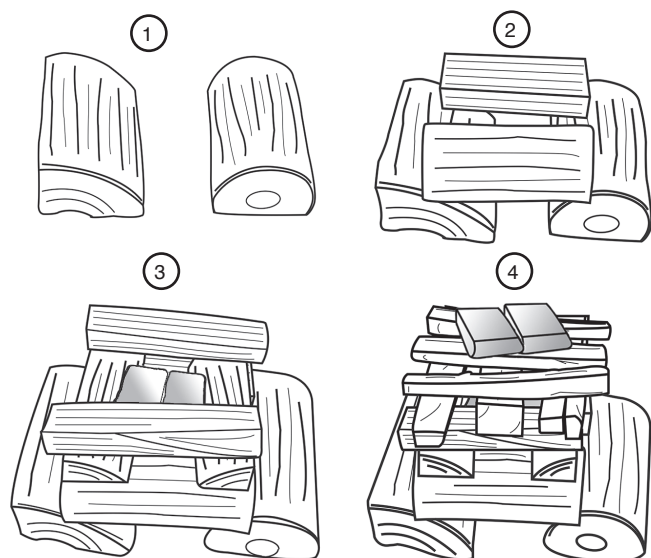


Avant d'allumer le poêle, vérifier avec l'installateur qu'il fonctionne, que les vérifications de mise en service décrites ci-dessus ont été convenablement effectuées, et que la cheminée a été ramonée, est en bon état et non obstruée.

Dans le cadre de la mise en service et de la passation du poêle, l'installateur doit vous montrer comment utiliser correctement celui-ci.

Pour créer une pile ouverte à allumer du haut en bas :

- Disposer parallèlement deux bûches de taille moyenne au fond du foyer.
- Poser deux bûches plus petites par-dessus, parallèles entre elles mais perpendiculaires aux deux premières.
- Continuer à bâtir la pile avec des bûches plus petites et déposer un allume-feu au centre.
- Terminer la pile en ajoutant deux dernières bûches et déposer des allume-feux dessus. Ajouter un peu de petit bois si on le souhaite.



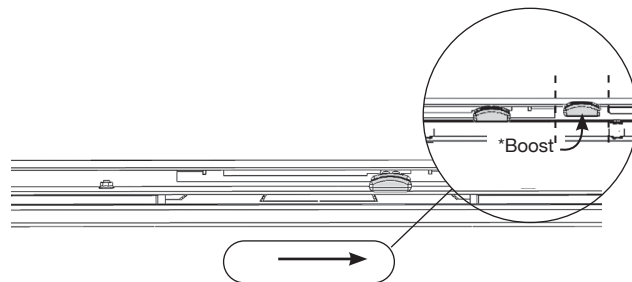
REMARQUE : le petit bois est indispensable pour que le foyer atteigne rapidement la bonne température de service. Un mauvais démarrage peut produire une fumée excessive et la sortie du feu lorsque la porte est fermée.

Un bon feu demande beaucoup de petit bois pour que le poêle soit chaud et chauffer la cheminée pour une meilleure performance de combustion.

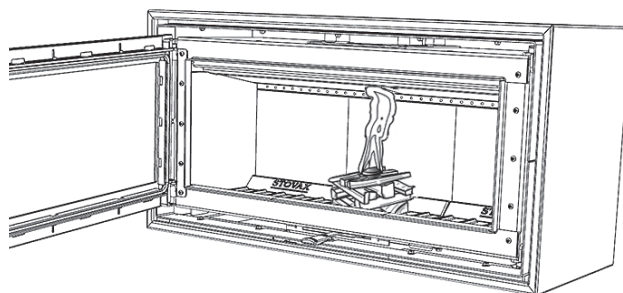
Utiliser le paramètre Boost pour faire prendre le feu et au début du ravitaillement.

Ne pas utiliser pendant de longues périodes ce paramètre car il pourrait faire tourner l'appareil trop fort ou l'endommager.

Laisser la porte entrebâillée pendant que le feu prend et que la vitre chauffe pour éviter l'accumulation de condensation.



* Pour activer le paramètre Starter, la glissière doit être au-dessus du cran dans le mécanisme.



UTILISATION DE L'APPAREIL POUR LA PREMIÈRE FOIS

Pour permettre au poêle de se stabiliser et aux colles et peintures de durcir, utiliser le poêle à une puissance modérée pendant les premiers jours.

Ne pas toucher la peinture pendant la période initiale d'utilisation.

Pendant cette période, la surface de l'appareil émet des odeurs déplaisantes. S'assurer que la pièce est bien ventilée pour éviter l'accumulation de vapeurs.

Veillez noter que les joints d'étanchéité peuvent se décolorer durant l'utilisation. Ceci est normal.



REMARQUES IMPORTANTES – GÉNÉRALITÉS

Avant d'allumer le poêle, vérifier avec l'installateur qu'il fonctionne, que les vérifications de mise en service ont été convenablement effectuées, et que la cheminée a été ramonée, est en bon état et non obstruée.

Dans le cadre de la mise en service et de la passation du poêle, l'installateur doit vous montrer comment utiliser correctement celui-ci.

Ne jamais utiliser d'essence, de carburant de type essence à lanterne, de kérosène, de liquide à briquet, d'alcool éthylique ou de liquides similaires pour allumer ou « rallumer » un feu dans l'appareil de chauffage. Tenir de tels liquides éloignés de l'appareil de chauffage lorsque ce dernier est utilisé.

UTILISATION DE L'APPAREIL



Vérifier le bon état des joints de porte avant d'allumer l'appareil. En cas de dommage, **NE PAS UTILISER** l'appareil.

Le bois brûle mieux sur un lit de cendres. Les armatures surélevées sur la grille donnent une bonne indication de la profondeur idéale.

Ouvrir les commandes d'air à fond et répartir les braises uniformément sur le foyer avant de recharger en bois.

Ajouter des bûches en les disposant de manière ouverte pour que le bois se consume de manière régulière.



Empilage ouvert



Empilage compact

Fermer les portes immédiatement après avoir effectué le rechargement de bois.

RAVITAILLEMENT

COMBUSTIBLE D'ALIMENTATION

L'APPAREIL	LONGEUR DES BÛCHES CONSEILLÉE	DIAMÈTRE CONSEILLÉ	CONSUMMATION DE BOIS
			KG / HEURE - BOIS
Studio Air 1	375mm	126mm	1.6
Studio Air 2	450mm	126mm	2.51

Ne pas brûler de grandes quantités de combustible lorsque les réglages d'air sont fermés (position d'arrêt) pendant de longues périodes. Ceci réduit l'effet autonettoyant de la vitre, ce qui conduit à une accumulation de goudron et de créosote dans l'appareil et le système d'évacuation et à la production d'une quantité excessive de fumée.

Pendant l'utilisation, faire fonctionner l'appareil à une température élevée pendant une courte durée réduit également la formation de goudron et de créosote.

Ne pas ravitailler si une grande quantité de flammes est présente dans le poêle car de la fumée ou des flammes pourraient s'échapper dans la pièce.

Lors de l'utilisation de l'appareil, **rajouter du combustible souvent et en petites quantités de façon à ce qu'il brûle proprement et efficacement.**

Un poêle propre et lumineux indique que l'appareil brûle bien.

L'appareil fonctionne mieux et reste propre en effectuant des ravitaillements de petite quantité.

Ne pas charger au-dessus du garde-bûches et des buses d'air secondaires à l'arrière de l'appareil.

Il ne faut pas dépasser la quantité maximum de combustible spécifiée dans ce manuel ; toute surcharge peut engendrer une production de fumée excessive.

Ne pas surcharger l'appareil car le rendement thermique dans ce cas sera trop élevé.

Après le rechargement :

Faire brûler les nouvelles bûches à une température élevée pendant quelques minutes avant de réduire la Commande d'Air.

AVERTISSEMENT : L'APPAREIL NE DOIT PAS ÊTRE UTILISÉ LONGTEMPS AVEC LA COMMANDE D'AIR SUR BOOST CAR CECI PEUT ENTRAÎNER UNE SURCHAUFFE ET OCCASIONNER DES DOMMAGES PERMANENTS.



Ne pas brûler de bois de construction, de bois peint ou imprégné de produit / traité, ni de produits manufacturés en bois ou des planches de palettes

Brûlez uniquement des bûches de bois dont la teneur en humidité est inférieure à 20 %.

Ne pas brûler de charbon bitumineux, ni de pétrococle ou d'autres combustibles à base de pétrole, la garantie du produit serait alors invalidée.

COMBUSTIBLES RECOMMANDÉS

BÛCHES DE BOIS:

Ne brûler que du bois sec avec une teneur en humidité inférieure à 20 %. Pour cela, laisser le bois coupé sécher pendant 12 à 18 mois.

Ne pas brûler de bois de construction, bois peint, imprégné/traité, produits de panneau usinés ou bois de palette. N'UTILISER aucune forme de bougie en tant que combustible. La cire fondue endommagera les pièces mobiles de l'appareil.

CHOIX DU COMBUSTIBLE:

Tous les types de bois peuvent être utilisés en guise de combustible dans l'appareil. Les différents types de bois ont des densités différentes : plus la densité est élevée, plus grande est la valeur énergétique.

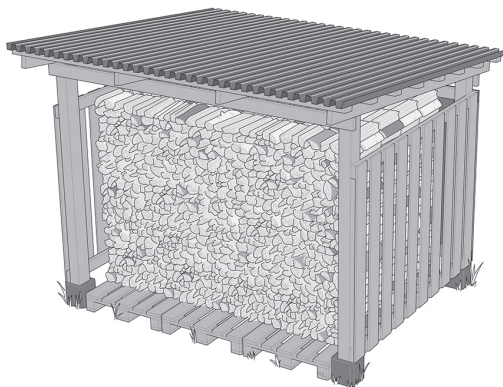
Le chêne, le hêtre et le bouleau possèdent les densités les plus élevées.

La teneur en humidité correcte du bois de chauffage prêt à brûler est inférieure à 20 %.

Si le bois est trop humide, il sera difficile à allumer, brûlera à grand-peine, donnera très peu de chaleur et déposera du goudron dans le conduit. Cela pourrait conduire à un feu de cheminée. Il est donc important de brûler du bois de chauffage bien séché.

Le bois sec donne plus de chaleur, évite de noircir la vitre de l'appareil et dépose très peu de suie dans la cheminée ou le conduit. Plus de chaleur diffusée signifie moins de combustible consommé.

Stockage du bois :



Pour obtenir du bois bien sec, le couper en hiver et le stocker sous un toit avec beaucoup d'espace pour la circulation d'air.

Ne pas couvrir entièrement, laisser un espace pour que l'air puisse passer au-dessus du bois et ne pas sceller.

Transporter le bois à utiliser à l'intérieur et le stocker quelques jours avant de le brûler pour que l'humidité ait suffisamment diminué.



Ne pas brûler de bois de construction, de bois peint ou imprégné de produit / traité, ni de produits manufacturés en bois ou des planches de palettes.

ENLÈVEMENT DES CENDRES

Le bois brûle mieux sur un lit de cendres. Les armatures surélevées sur la grille donnent une bonne indication de la profondeur idéale.

Ne pas laisser les cendres s'accumuler, car cela risque de provoquer des dommages et d'affecter sérieusement les performances de l'appareil.

Enlever les cendres à l'aide d'un aspirateur à cendre (disponible auprès de Stovax). Faire attention de ne pas endommager le revêtement en céramique de l'appareil. Ne pas utiliser de tisonniers pointus.

Faire attention lors de l'enlèvement des cendres - elles peuvent être chaudes longtemps après l'utilisation.

Déposer les cendres avec précaution dans le collecteur de cendres Stovax.

Ne pas vider les cendres brûlantes dans une poubelle en plastique ou tout autre matériau combustible.

COMBUSTION EXCESSIVE

Ne pas charger le insert excessivement en combustible ou laisser le feu brûler à sa puissance maximum pendant de longues périodes au risque de surchauffer le poêle.

NE PAS FAIRE FONCTIONNER L'APPAREIL PENDANT DE LONGUES PÉRIODES DE TEMPS EN LAISSANT LA COMMANDE D'AIR PRIMAIRE OUVERTE AU RISQUE DE PROVOQUER UNE SURCHAUFFE ET DES DOMMAGES PERMANENTS.

Une combustion excessive peut provoquer des dommages permanents de l'appareil et invalider la garantie du produit.

FEU DE CHEMINÉE

En cas de feu de cheminée:

- Fermer immédiatement toutes les commandes d'air.
- Évacuer le bâtiment.
- Appeler les pompiers.
- Ne pas rentrer dans le bâtiment avant d'avoir été informé qu'il n'y a plus de danger.

Ne pas rallumer le poêle après un feu de cheminée avant que:

- a) **Le poêle ait été inspecté par un installateur agréé et que ce dernier confirme que son utilisation ne présente aucun danger.**
- b) Le conduit de fumée et la cheminée aient été inspectés et ramonés par un technicien qualifié, qui confirme que le système est structurellement intact et qu'il n'y a aucune obstruction.
- c) **Les réparations requises soient effectuées.** Utiliser uniquement des pièces de rechange Stovax authentiques pour garantir le bon rendement du poêle en toute sécurité.

NETTOYAGE GÉNÉRAL

Nettoyer et inspecter l'appareil régulièrement, particulièrement en périodes d'utilisation intensive. Le nettoyage régulier et la bonne maintenance du poêle garantissent des années de service en toute sécurité.

Laisser le poêle refroidir complètement pour éviter tous risques de brûlure.

Nettoyer le poêle régulièrement en fonction de l'intensité d'utilisation.

Enlever les cendres entièrement.

Vérifier que les éléments internes ne sont pas endommagés - grilles, briques, déflecteurs - et qu'il n'y a pas d'accumulation évidente de suie, de cendres ou de débris au-dessus du ou des déflecteurs (ils se trouvent dans la partie supérieure du foyer). Utiliser une lampe électrique le cas échéant.

En cas d'accumulation de débris au-dessus du ou des déflecteurs, veuillez soit:

- Faire ramoner la cheminée.
- Enlever les déflecteur et dégager les débris.

Pour faire des retouches de peinture, une peinture pour retouches en aérosol est disponible. Contactez votre détaillant Stovax en mentionnant le numéro de série qui se trouve sur la fiche signalétique de l'appareil.

Ne pas utiliser de nettoyeur en aérosol près d'un poêle allumé.

NETTOYAGE DE LA VITRE

Pour éviter que la vitre se salisse, utiliser correctement le dispositif d'air de nettoyage et des combustibles de bonne qualité.

Il est parfois nécessaire de procéder à de plus amples opérations de nettoyage.

Avant de procéder, laisser l'appareil refroidir complètement. Ne pas nettoyer la vitre lorsqu'elle est chaude.

Sur les appareils dotés d'une vitre sérigraphiée ne pas utiliser de nettoyeurs très alcalins ou acides tels que le Gel nettoyant Stovax, car ces produits de nettoyage agressifs sont conçus pour une utilisation sur des vitres transparentes très sales. Sur les surfaces en verre sérigraphié, utilisez le Nettoyeur vitres Stovax (Stovax n° 4103). Sa formule est mieux adaptée à cette opération.

Avant d'appliquer tout produit de nettoyage, retirer la poussière et la suie non incrustée à l'aide d'un chiffon humide.

Utiliser un nettoyeur pour vitres approprié. Imprégner un chiffon de liquide de nettoyage avant de l'appliquer sur la vitre. Procéder soigneusement, sans appliquer de quantité excessive de produit. Essayer d'éviter tout écoulement du produit : celui-ci pourrait imprégner les joints d'étanchéité tout autour de la vitre. La suie peut également contenir des particules acides ayant un effet corrosif néfaste sur le verre sérigraphié.

Retirer les salissures à l'aide d'un chiffon humide puis essuyer jusqu'à ce que la surface soit sèche.

Certains types de bois peuvent occasionner la formation de résidus blancs sur le verre.

Dans ce cas, il est nécessaire de nettoyer ces résidus au moins une fois par semaine au cours des périodes d'utilisation intensive.

Si les agents nettoyants liquides recommandés ne parviennent pas à éliminer ces résidus, Stovax propose un tampon de nettoyage à sec qui contribuera à l'élimination des taches incrustées.

Avant de rallumer l'appareil, s'assurer que la vitre est complètement sèche.

Si le joint d'étanchéité a absorbé l'excédent de produit nettoyant, il est conseillé de remplacer la corde dès que possible afin de préserver l'aspect sérigraphié de la vitre.

RAMONAGE DE LA CHEMINÉE

Pour assurer un fonctionnement efficace du poêle en toute sécurité, la cheminée et le conduit de fumée doivent être ramonés au moins deux fois par an par un technicien qualifié.

Si l'appareil est utilisé constamment tout au long de l'année, ou s'il est utilisé pour brûler du bois, il est recommandé de ramoner plus souvent.

La meilleure période pour effectuer le ramonage est au début de la saison froide.

La cheminée, le conduit de fumée et les branchements du conduit sur le poêle le cas échéant, doivent être régulièrement nettoyés.

S'assurer de l'accessibilité adéquate des portes de nettoyage s'il n'est pas possible de ramoner par la cheminée.

Si la cheminée a été auparavant utilisée avec un foyer ouvert, elle doit être ramonée une deuxième fois après un mois d'utilisation régulière suivant son installation.

DÉTECTEURS-AVERTISSEURS DE CO

Nous recommandons, lors de l'installation dans une habitation d'un nouvel appareil ou d'un appareil de chauffage de remplacement à combustible solide ou à bois ou biomasse qu'un détecteur-avertisseur de CO soit installé dans la même pièce que l'appareil.

La présence d'une alarme ne doit pas être considérée comme un substitut pour une bonne installation et un entretien et une maintenance régulière de l'appareil et de la cheminée.

DÉPANNAGE

Fonctionnement – Démarrage et entretien difficiles du feu

- Veiller à ce que l'humidité du bois utilisé soit inférieure à 20 %.
- Chauffer le conduit à travers le poêle à l'aide d'un chalumeau ou de journaux.
- Veiller à ce que tous les réglages d'air fonctionnent correctement.
- Ouvrir une fenêtre proche pour tester le flux d'air dans la pièce.
- Veiller à ce que les voies d'air et le conduit soient ramonés et en bon état. Tout blocage total ou partiel affectera les performances de l'appareil.
- Relire les instructions d'allumage et veiller à respecter la bonne procédure, y compris la quantité de combustible.

Noircissement de la vitre

Il y aura toujours une décoloration de la vitre lorsque du bois et du combustible solide sont brûlés. Toutefois, une accumulation excessive peut être provoquée par :

- Le bois dont l'humidité est supérieure à 20 % aura une mauvaise combustion, entraînant des fumées, du goudron et de la créosote.
- Une basse température de combustion. Le tirage du conduit est alors insuffisant, conduisant à une mauvaise combustion et un feu qui produit plus de fumée.
- Un mauvais ravitaillement conduisant à un feu insuffisant ou touchant la vitre.

Odeur excessive de fumée

- Les conditions météorologiques peuvent entraîner un vent soufflant dans la cheminée lorsqu'il vient d'une certaine direction.
- La porte restée ouverte lorsqu'il reste beaucoup de flammes dans le foyer.

Les pièces ont décoloré

- Pour laisser le poêle se stabiliser et les colles de fixation et la peinture sécher entièrement, faire fonctionner le poêle à basse température pendant les premiers jours.
- Ne pas toucher à la peinture au cours de la première période d'utilisation.
- Au cours de cette période, l'appareil peut dégager des odeurs désagréables. Garder la pièce bien aérée pour éviter l'accumulation de fumées.
- Veuillez noter que la peinture et les tresses d'étanchéité peuvent se décolorer pendant l'utilisation. Ceci est parfaitement normal.

Problèmes relatifs à la garantie – consulter la brochure livrée avec votre appareil pour connaître les modalités complètes de la garantie.

En cas de problème avec votre poêle ou cheminée, toute réclamation doit être, en premier lieu, déposée auprès du détaillant expert chez qui le produit a été acheté. Votre détaillant expert pourra soit vous assister immédiatement, soit après une visite, contacter Stovax pour vous. Pour bénéficier d'un appel de service, Stovax aura besoin d'une preuve d'enregistrement, des documents de mise en service et de l'historique de l'entretien le cas échéant (l'historique de l'entretien est nécessaire pour tous les produits de plus de 12 mois). Toute réclamation au titre de la garantie sans les renseignements nécessaires sera renvoyée à votre détaillant expert auprès duquel vous avez effectué l'achat.



Stovax améliore continuellement ses produits, veuillez donc contacter votre revendeur Stovax ou aller sur le site internet www.stovax.fr pour avoir les références les plus récentes.

EXIGENCES LÉGALES

Avant de procéder à l'installation ou d'utiliser cet appareil, veuillez lire l'ensemble de ces instructions avec attention de manière à bien les comprendre.

L'Inserts doit être installé par un technicien agréé ou approuvé par l'autorité des bâtiments.

Il est très important de connaître les spécifications de la construction des bâtiments et les normes, ainsi que la réglementation locale et les bonnes pratiques applicables. En cas de conflit entre ces instructions et la réglementation en vigueur, cette dernière s'applique.

L'autorité locale des bâtiments peut offrir des conseils sur les exigences de cette réglementation.

PRÉCAUTIONS DE SANTÉ ET DE SÉCURITÉ

Les travaux doivent être effectués en prenant soin de se conformer aux normes d'hygiène et de sécurité et à toute nouvelle réglementation introduite après la publication de ces instructions. Il faut porter une attention particulière sur:

- **Manutention:** Le poêle pèse lourd. Des facilités adéquates doivent être disponibles pour le chargement, le déchargement et la manipulation sur site.
- **Ciment réfractaire:** Certains ciments réfractaires sont caustiques et ne doivent pas entrer en contact avec la peau. Il faudra alors porter des gants de protection. Se laver les mains à grande eau après un contact avec la peau.
- **Amiante:** Ce poêle ne contient pas d'amiante. S'il y a possibilité quelconque d'avoir à traiter de l'amiante pendant l'installation, demander conseil à un spécialiste et utiliser des équipements appropriés.
- **Pièces métalliques:** Prendre soin en installant ou en révisant le poêle de ne pas se blesser.

Une mauvaise installation peut être dangereuse pour les résidents et la structure du bâtiment.

Pour les utilisateurs de cet inserts:

Votre compagnie d'assurance du bâtiment exige probablement d'être informée de l'installation d'un nouvel appareil de chauffage. Vérifier que la police d'assurance est toujours valide après l'installation de l'appareil.

Alimentation en air de combustion:

Cet appareil requiert une alimentation d'air constante pour maintenir une combustion correcte et une performance efficace du conduit de fumée. Une alimentation d'air inadéquate peut entraîner une mauvaise combustion et provoquer un refoulement de fumée dans la pièce potentiellement dangereux.

Cette alimentation d'air peut provenir soit:

- D'une ventilation pourvue spécifiquement à cet effet.
- Certains appareils Stovax peuvent aussi être équipés d'un kit de ventilation proposé en option qui aspire l'air de l'extérieur.

La quantité d'air requise doit être conforme à la réglementation locale et aux lois en vigueur.

MISE EN SERVICE ET REMISE

Assurez-vous que toutes les pièces sont montées conformément aux instructions.

À la fin de l'installation, laissez sécher le ciment et le mortier pendant une période appropriée avant d'allumer le poêle. Une fois l'appareil en marche, vérifiez que tous les joints d'étanchéité sont en bon état et vérifiez que le conduit de fumée fonctionne correctement et que tous les produits de combustion sont évacués en toute sécurité dans l'atmosphère via le terminal de cheminée. Une fois l'installation et la mise en service terminées, assurez-vous que le mode d'emploi de l'appareil est laissé au client. Assurez-vous d'informer le client de l'utilisation correcte et de lui avertir de n'utiliser que le combustible recommandé pour l'appareil.

Indiquez à l'utilisateur ce qu'il faut faire si de la fumée ou des vapeurs sont émises par l'appareil.

CONDUIT DE FUMÉE OU CHEMINÉE

Le conduit de fumée ou la cheminée doivent être en bon état. Ils doivent être inspectés par un technicien compétent et homologués pour utilisation avec le poêle avant son installation.

Les gaz de combustion qui pénètrent dans la pièce peuvent présenter des risques graves pour la santé.

Les vérifications suivantes doivent être effectuées:

- Avant de rallumer après une période d'arrêt prolongée, vérifier qu'il n'y a pas d'obstruction dans le foyer et le conduit de fumée.
- La construction des cheminées en maçonnerie, les cheminées en parpaings et le conduit de fumée doivent être conformes aux normes de construction.
- Un conduit interne flexible doit être utilisé s'il est certifié pour utilisation avec les poêles à combustible solide et si l'installation est conforme aux instructions du fabricant et à la réglementation sur la construction des bâtiments.
- S'il est nécessaire d'installer un faux plafond, il doit être conforme aux normes de construction des bâtiments.
- La hauteur minimale du conduit ou de la cheminée doit être de 4,50 m de l'âtre à la partie supérieure du conduit, sans sections horizontales, avec un maximum de 2 coudes d'un angle inférieur à 45° sur le conduit de raccordement et un maximum de 2 coudes d'un angle inférieur à 45° sur le conduit de fumée.
- Il devrait y avoir au moins 600mm de conduit d'évacuation vertical au-dessus de l'appareil avant tout coude.
- S'assurer que le conduit d'évacuation connecté soit positionné à une distance raisonnable de tout matériau combustible.
- L'installateur doit s'assurer que le diamètre du conduit ne soit pas inférieur au diamètre de la bouche de sortie de l'appareil et ne soit pas inférieur à la moitié de la taille de la bouche de sortie en tout point du système.
- S'assurer que le conduit d'évacuation connecté ne fasse pas partie de la structure de soutènement du bâtiment.
- Penser à prévoir le démontage du poêle sans avoir besoin de démonter la cheminée.
- Tout conduit existant doit être confirmé et être approprié pour sa nouvelle utilisation conformément aux normes de construction des bâtiments.
- Le conduit de fumée et la cheminée doivent être inspectés et ramonés pour confirmer que le système est structurellement intact et libre de toutes obstructions.
- Si l'emplacement du poêle a été précédemment utilisé avec un foyer ouvert, la cheminée doit être ramonée une seconde fois après un mois d'utilisation régulière après l'installation pour éliminer la suie qui a pu se détacher et tomber à cause de la différence de température de combustion.
- La sortie du conduit du bâtiment doit être conforme à la réglementation locale.

- Ne pas connecter ou partager le même conduit ou la même cheminée avec un autre appareil de chauffage.

Ne pas connecter le conduit à des systèmes comprenant des grands espaces vides ou excédant 230mm de côté. Il faut aussi prévoir un accès approprié pour récupérer et enlever les débris éventuels.

Le conduit de fumée doit être ramoné et inspecté lorsque le poêle est installé.

TIRAGE DANS LE CONDUIT

Vérifier le tirage du conduit lorsque toutes les fenêtres et les portes sont fermées et que tous les ventilateurs extracteurs dans la pièce et les pièces adjacentes fonctionnent à leur vitesse maximum.

AÉROSOLS

Ne pas utiliser de nettoyant en aérosol près d'un poêle allumé.

MATÉRIAUX INFLAMMABLES DANS LA MAISON

Ne pas poser de photos, un écran de télévision, des tableaux, des articles en porcelaine ou autres matériaux combustibles sur le mur ou près de l'appareil. Leur exposition à une haute température peut les endommager.

Ne pas placer de meubles ou d'autres appareils ménagers comme un sèche-linge à moins de 1 m du devant de cet appareil.

AVERTISSEMENT : Toute réserve de combustible ne doit pas être stockée sur ou à proximité de l'appareil. Veuillez ne conserver qu'une quantité de combustible suffisante pour un usage immédiat à proximité et ne laissez jamais l'appareil sans surveillance pendant une période prolongée lorsqu'il y a du combustible à proximité.

INFORMATIONS MATÉRIELLES DU PRODUIT

Les substances, préparations ou composants suivants doivent être éliminés ou revalorisés séparément des autres DEEE, conformément à l'article 4 de la Directive 75/442/CEE du Conseil de l'Union européenne.

Métal	Acier	Vous pouvez remettre ces éléments à votre centre de recyclage local pour les réutiliser et réduire le volume de déchets envoyés dans les sites d'enfouissement.
	Fonte	
Verre		Vous pouvez remettre ces éléments à votre centre de recyclage local pour les réutiliser et réduire le volume de déchets envoyés dans les sites d'enfouissement.
Revêtement en vermiculite		Matériau non dangereux. La vermiculite peut être broyée et utilisée comme substrat pour vos plantes tandis que les cendres peuvent être utilisées comme compost ou remises à votre centre de recyclage local pour les réutiliser et réduire le volume de déchets envoyés dans les sites d'enfouissement.
Tresses d'étanchéité		Les joints d'étanchéité sont fabriqués en fibres céramiques réfractaires (FCR), un matériau couramment utilisé dans ce type d'application. Nul besoin d'utiliser des vêtements de protection lorsque vous manipulez ces articles, toutefois il est recommandé de suivre les règles d'hygiène habituelles, c'est-à-dire ne pas fumer, ni manger ni boire sur le lieu de travail et toujours se laver les mains avant de manger ou de boire. Lorsque vous réalisez l'entretien de l'appareil, nous vous recommandons de ne pas briser les pièces remplacées mais plutôt de les mettre dans un sac en polythène ultrarésistant, scellé et portant l'étiquette « déchets FCR ». Les déchets FCR sont catégorisés comme des déchets dangereux stables et non réactifs, et peuvent être mis au rebut dans un site d'enfouissement agréé.
Composants électriques	(Kits de ventilateur, etc., le cas échéant)	Mettez-les au rebut dans votre centre de recyclage local, conformément à la directive DEEE.

INDICAZIONI GENERALI

IMPORTANTE

DURANTE IL FUNZIONAMENTO, LA CASSAFORMA ESTERNA E IL PANNELLO ANTERIORE IN VETRO DIVENTANO MOLTO CALDI. IN CASO DI CONTATTO, SUSSISTE IL RISCHIO DI LESIONI E USTIONI. SI CONSIGLIA DI UTILIZZARE UNA PROTEZIONE PARAFUOCO IN PRESENZA DI BAMBINI, PERSONE ANZIANE O INVALIDI.

I FUMI DERIVANTI DA CAMINI OSTRUITI SONO PERICOLOSI. MANTENERE LIBERI IL CAMINO E LA CANNA FUMARIA. SPAZZARE E PULIRE SECONDO LE ISTRUZIONI DEL FABBRICANTE.

Durante l'utilizzo dell'apparecchio è necessario rispettare tutte le norme locali, comprese quelle relative agli standard nazionali ed europei.

Non tentare di bruciare rifiuti in questo apparecchio.

Leggere attentamente queste istruzioni prima dell'installazione o dell'utilizzo. Conservarle in un luogo sicuro; potrebbero servire in futuro o durante l'assistenza. Prima dell'installazione e/o dell'utilizzo dell'apparecchio leggere attentamente le presenti istruzioni nella loro integrità per assicurarsi di comprendere tutte le indicazioni in esse contenute.

L'apparecchio deve essere montato da un installatore certificato o approvato dal funzionario locale addetto al controllo degli edifici.

Durante l'installazione dell'apparecchio è necessario rispettare tutte le normative locali, incluse quelle che fanno riferimento agli standard nazionali ed europei. Utilizzare solo per il riscaldamento domestico rispettando queste istruzioni operative.

Utilizzare solo combustibili approvati. Non versare combustibili liquidi né utilizzare come inceneritore.

Le superfici dell'apparecchio diventano roventi durante il funzionamento. Utilizzare un adeguato parafuoco in presenza di bambini, anziani o invalidi. Stovax offre sistemi parafuoco, parascintille e griglie di protezione. Le informazioni relative a questi prodotti sono disponibili presso i rivenditori Stovax.

Non collocare fotografie, TV, quadri, oggetti in porcellana o altri materiali combustibili sulla parete o vicino all'apparecchio. L'esposizione a temperature elevate è dannosa. Non collocare mobili o altri oggetti come abiti da asciugare davanti all'apparecchio a meno di un metro di distanza.

ATTENZIONE: non riporre il combustibile di riserva sulla stufa o accanto a essa. Tenere nelle vicinanze della stufa solo il combustibile necessario per l'utilizzo immediato. Non lasciare mai la stufa incustodita con materiale combustibile nelle sue immediate vicinanze.

Ventole di aspirazione, cappe e altri dispositivi di riscaldamento collocati nella stessa stanza o nello stesso spazio dell'apparecchio possono causare problemi. La ventilazione supplementare deve essere installata in base ai requisiti di ciascun apparecchio.

L'apparecchio non deve essere installato in sistemi di ventilazione con pressione inferiore a -15Pa

Non ostruire la ventilazione interna o esterna necessaria per l'utilizzo sicuro di questo apparecchio.

Non apportare modifiche non autorizzate all'apparecchio.

Il camino deve essere spazzato almeno una volta all'anno.

Non collegare né condividere lo stesso camino o canna fumaria con un altro apparecchio.



IMPORTANTE: Stovax fornisce dei guanti speciali per proteggere gli utilizzatori da calore e bordi taglienti quando si utilizza l'apparecchio. Per ragioni di sicurezza è bene indossare sempre i guanti quando si aprono, azionano, alimentano o manipolano parti metalliche.

AVVERTENZA



Se la stufa viene installata, utilizzata e sottoposta a manutenzione in modo corretto, non rilascerà fumi all'interno della stanza. Potrebbero verificarsi episodi occasionali di fumi durante l'eliminazione della cenere e il caricamento del combustibile.

L'emissione permanente di fumo è potenzialmente pericolosa e non può essere tollerata.

Se l'emissione di fumo continua:

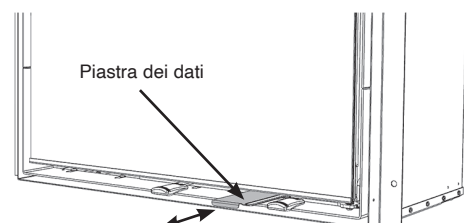
- Aprire le porte e le finestre per ventilare la stanza.
- Uscire dalla stanza.
- Lasciare che la fiamma si estingua o eliminare il combustibile dalla stufa in sicurezza.
- Verificare la presenza di eventuali ostruzioni del camino e, se necessario, pulirlo.
- Non tentare di riaccendere il fuoco fino a quando non viene individuata ed eliminata la causa dell'emissione di fumo.
- Se necessario, richiedere l'intervento di un tecnico.
- Tutte le stufe dotate di canna fumaria aperta risentono delle condizioni atmosferiche temporanee, che possono determinare l'ingresso di fumi nella stanza. Per questo motivo, nella stessa stanza in cui viene utilizzata la stufa, è necessario installare un rilevatore di monossido di carbonio conforme al testo aggiornato della disciplina BSEN50292. La presenza di un rilevatore non deve essere considerata una soluzione in grado di sostituire le attività di manutenzione e riparazione periodiche della stufa e del sistema della canna fumaria.

SE L'ALLARME SUONA, SEGUIRE LE ISTRUZIONI RIPORTATE SOPRA.

NUMERO DI SERIE

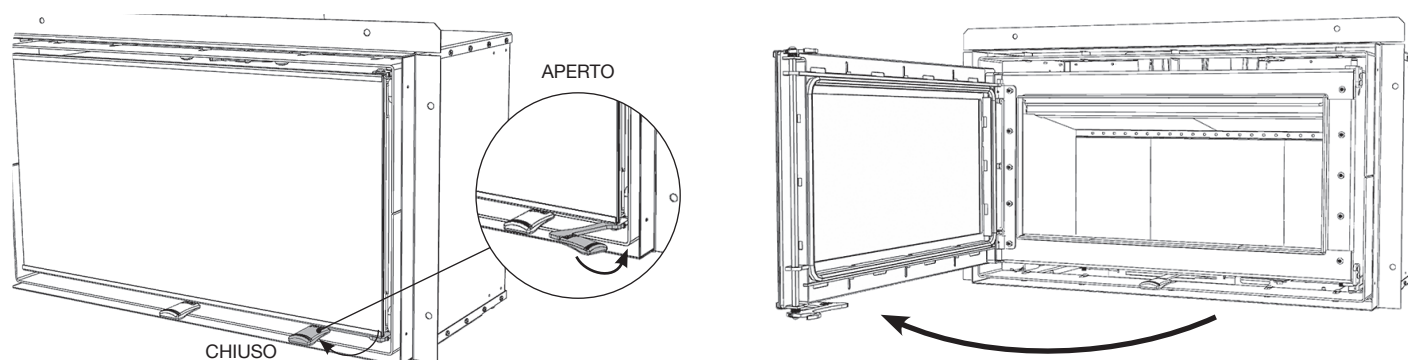
Questo numero è necessario per ordinare parti di ricambio o per richieste di interventi in garanzia.

La targhetta identificativa si trova:



OPERAZIONI PRELIMINARI

APRENDO LO SPORTELLO



PULIZIA DEI RESIDUI DELLA COMBUSTIONE E DELLA STUFA

I prodotti Stovax sono progettati per generare un riscaldamento secondario domestico e sono concepiti per ridurre al minimo le emissioni atmosferiche generate dalla combustione della legna. Tuttavia, occorre utilizzare la seguente tecnica di accensione e combustibile di buona qualità per ottimizzare l'avvio della stufa e portare il canale da fumo alla temperatura di esercizio.

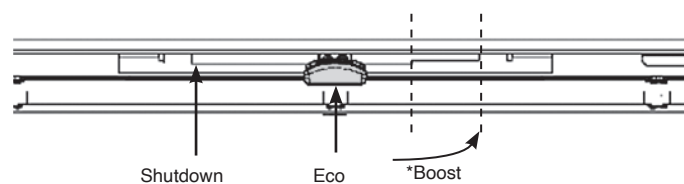
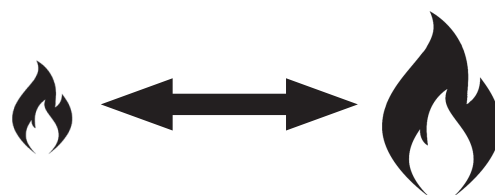
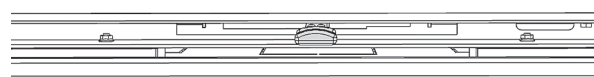
Stovax consiglia all'utilizzatore di informarsi sul funzionamento del camino, sul tipo corretto di legna stagionata e sui metodi di impilaggio al fine di ottimizzare le prestazioni dell'apparecchio.

Una combustione pulita ed efficace si ottiene grazie a condizioni di tiraggio del canale da fumo corrette e alla qualità del combustibile utilizzato. L'esperienza vi aiuterà a definire le impostazioni preferite di utilizzo e a garantire un consumo di combustibile ottimale.



COMANDI DELL'AERAZIONE

- Impostare i comandi dell'aria al 50% per mantenere l'apparecchio ventilato e impedire la formazione di umidità al suo interno quando non si utilizza l'apparecchio per lunghi periodi di tempo.
- Se nella scatola di combustione sta bruciando ancora del legname non spegnere i comandi dell'aria completamente salvo in presenza di fuoco nella canna fumaria.
- La chiusura dei comandi durante il processo di combustione potrebbe causare una scarsa combustione e portare alla formazione di gas che potrebbero incendiarsi pericolosamente.
- Assicurarsi sempre che entri abbastanza aria nella stufa per mantenere alcune fiamme all'interno della scatola di combustione.
- Prima di chiudere i comandi dell'aria occorre spegnere l'apparecchio e poi impostare un valore elevato fino a quando tutto il combustibile è stato bruciato.
- Chiudere i comandi dell'aria quando non vengono utilizzati al termine del processo di combustione.



NON APRIRE LO SPORTELLO A MANI NUDE. NON APRIRE GLI SPORTELLI QUANDO LA SCATOLA DI COMBUSTIONE È PIENA DI FIAMME: ATTENDERE CHE SI SPENGANO.

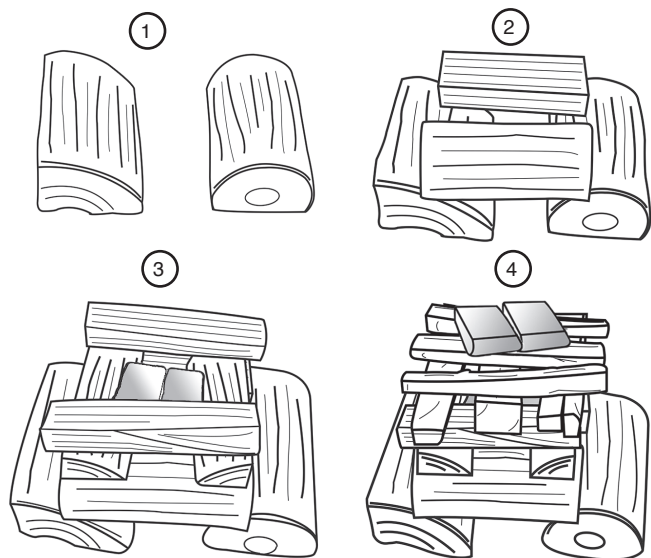
ACCENSIONE



Prima di accendere la stufa, verificare con l'installatore che le operazioni di installazione e i controlli in fase di avviamento descritti in precedenza siano stati eseguiti correttamente e che la canna fumaria sia stata pulita, posizionata correttamente e priva di ostruzioni. La fase di avviamento e consegna della stufa prevede anche che l'installatore mostri al cliente come utilizzare l'apparecchio in maniera corretta.

Per creare un accatastamento aperto per un'accensione dall'alto verso il basso:

- Posizionare due ceppi di dimensioni medie in parallelo sulla base della scatola di combustione.
- Posizionare due ceppi più piccoli nella parte superiore, in parallelo rispetto ai ceppi inferiori.
- Continuare ad accatastare usando ceppi più piccoli e posizionare gli accendifuoco al centro.
- Posizionare al termine della catasta due ulteriori ceppi e posizionarvi sopra gli accendifuoco. Aggiungere una piccola quantità di legna da fuoco, se necessario.



Legna da fiamma:

Legna tagliata in maniera sottile

Lunghezza 250 mm

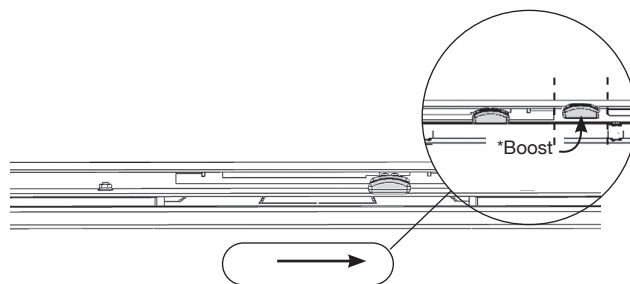
Diametro: 20 mm

Peso della legna necessaria per l'accensione: 2,0 kg (circa 8-12 pezzi tagliati in maniera sottile)

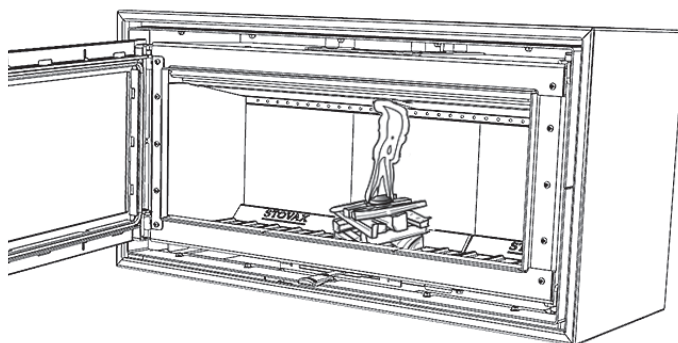
NOTA: La legna da fiamma è essenziale per permettere alla scatola di combustione di raggiungere rapidamente la temperatura di esercizio corretta. Un'accensione non corretta può portare a fumo eccessivo e allo spegnimento del fuoco quando si chiude lo sportello.

Per una corretta accensione del fuoco occorre inizialmente una grande quantità di legna da fiamma per portare la scatola di combustione a una temperatura elevata e riscaldare la canna fumaria ottimizzando le prestazioni del canale da fumo. Utilizzare l'impostazione Boost (Incremento) per accendere il fuoco e nella fase iniziale del rifornimento.

Non utilizzare la stufa per periodi di tempo prolungati in quanto potrebbe causare una combustione eccessiva o danneggiare l'apparecchio.



* Per poter utilizzare l'impostazione Boost (Incremento) l'elemento a scorrimento deve essere sollevato nel meccanismo.



Per consentire l'apparecchiatura si assesti e che la colla e la vernice si asciughino opportunamente, per i primi giorni far funzionare l'apparecchiatura a basso regime.

Non toccare la vernice durante il primo periodo di utilizzo.

Durante questo periodo potrebbe emettere cattivi odori. Aerare bene l'ambiente per evitare che i fumi si accumulino.

Le guarnizioni possono scolorire durante l'utilizzo. Ciò non rappresenta un difetto del prodotto.



NOTE IMPORTANTI - ASPETTI GENERALI

Prima di accendere la stufa, verificare con l'installatore che le operazioni di installazione e i controlli in fase di avviamento descritti in precedenza siano stati eseguiti correttamente e che la canna fumaria sia stata pulita, posizionata correttamente e priva di ostruzioni.

La fase di avviamento e consegna della stufa prevede anche che l'installatore mostri al cliente come utilizzare l'apparecchio in maniera corretta.

Non utilizzare mai benzina, combustibile per lanterne a benzina, cherosene, liquido per accendini a carbone, alcol etilico o liquidi simili per accendere o "riaccendere" un fuoco nell'unità riscaldante. Tenere tutti i liquidi di questo tipo lontano dall'unità riscaldante mentre è in funzione.

UTILIZZO DELL'APPARECCHIO



PRIMA DI ACCENDERE L'APPARECCHIO, ACCERTARSI CHE LE GUARNIZIONI DELLO SPORTELLINO SIANO IN BUONE CONDIZIONI. NON UTILIZZARE L'APPARECCHIO SE SI NOTANO DANNI.

È possibile ottimizzare la combustione della legna aggiungendo un letto di ceneri. Le nervature in rilievo sulla grata forniscono una buona indicazione della profondità ideale.

Distribuire uniformemente la brace sul piano di combustione per far sì che si accenda e aprire completamente i controlli aria.

Aggiungi nuovi ceppi e impilali in una disposizione aperta per consentire alla legna di bruciare in modo efficace.



Impilatura aperta



Impilamento compatto

Chiudere immediatamente gli sportelli dopo aver aggiunto il combustibile.

RIFORNIMENTO CARBURANTE

ALIMENTARE IL COMBUSTIBILE

APPARECCHIO	LUNGHEZZA DEI CIOCCHI	DIAMETRO	CONSUMO DI CARBURANTE
			KG/ORA DI LEGNO
Studio Air 1	375mm	126mm	1.6
Studio Air 2	450mm	126mm	2.51

Aprire completamente i controlli Aria primaria e Airwash.

Distribuire uniformemente la brace sul piano di combustione per far sì che si accenda. Se il piano di combustione è basso, aggiungere una piccola quantità di rametti per ravvivare il fuoco.

Non aggiungere combustibile quando nella camera di combustione vi sono già molte fiamme, per evitare la produzione di fumi o la fuoriuscita di fiamme.

Questo apparecchio è stato progettato solo per il funzionamento intermittente. Per ottenere le migliori performance, durante l'utilizzo dell'apparecchio, eseguire piccoli rifornimenti frequenti per una combustione efficiente.

Chiudere immediatamente gli sportelli dopo aver aggiunto il combustibile.

Queste apparecchi sono di grandi dimensioni e i ciocchi vanno collocati in un singolo strato avendo cura di lasciare dello spazio tra un ciocco e l'altro.

Non impilare i ciocchi uno sull'altro, per non diminuire l'efficienza di combustione.

Dopo aver aggiunto combustibile:

Far bruciare i nuovi ciocchi ad alto regime per qualche minuto prima di chiudere il controllo Aria primaria. Regolare il regime di combustione servendosi del controllo dell'Airwash.

Non chiudere i controlli dell'aria fino a che il fuoco non è completamente acceso.

Non bruciare molto troppo combustibile con il controllo Airwash chiuso per periodi protratti. Questo riduce l'effetto di pulitura del vetro e determina l'accumulo di catrame e creosoti nell'apparecchio e nella canna fumaria producendo una quantità eccessiva di fumi.

Una camera di combustione luminosa e pulita indica un corretto funzionamento dell'apparecchio.

Non bruciare continuamente combustibile con lo sportello aperto.

ATTENZIONE: NON UTILIZZARE LA STUFA CON LA FUNZIONE DI CONTROLLO DELL'ARIA PRINCIPALE APERTA PER LUNGI PERIODI DI TEMPO PER EVITARE UNA COMBUSTIONE ECCESSIVA E CAUSARE DANNI IRREVERSIBILI.



Non bruciare legname da costruzione, legno verniciato, legno impregnato/trattato, assi lavorate o legno dei pallet.

Bruciare solo legna secca con un'umidità inferiore al 20%.

Non bruciare carbone bituminoso, "coke petrolifero" o altri combustibili a base di petrolio per non invalidare la garanzia sul prodotto.

COMBUSTIBILI CONSIGLIATI

Ceppi di legno

Brucciare solo legna con un contenuto di umidità inferiore al 20%. A tal fine, lasciare asciugare la legna tagliata per 12-18 mesi.

Non bruciare legname da costruzione, legno verniciato, impregnato/trattato, prodotti realizzati con pannelli o legno da pallet.

NON UTILIZZARE nessun tipo di candela come combustibile. La cera sciolta danneggia le parti mobili dell'apparecchio.

Come scegliere il combustibile:

Si può utilizzare qualsiasi tipo di legna per alimentare l'apparecchio. Tipi diversi di legna hanno densità diverse: maggiore la densità della legna maggiore sarà il suo valore energetico. Rovere, betulla e faggio hanno i valori più alti.

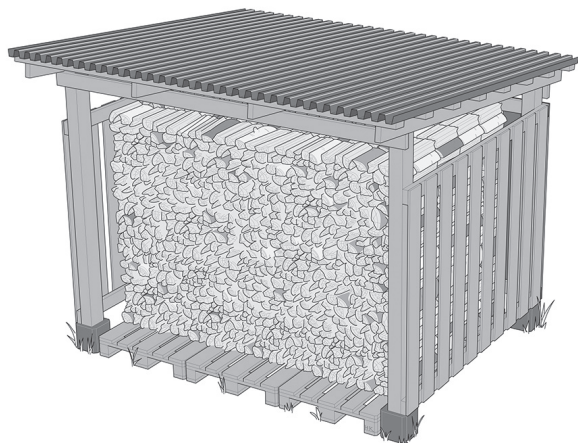
Il contenuto ideale di umidità per la legna pronta da ardere è inferiore al 20%.

Se la legna è troppo umida, sarà difficile da bruciare, arderà poco, genererà una quantità ridotta di calore e intaserà di catrame il canale da fumo.

Poiché può sviluppare un incendio nella canna fumaria è importante bruciare legna sufficientemente essiccata.

La legna essiccata offre una maggiore emissione di calore, evita l'annerimento del vetro dell'apparecchio e riduce al minimo la formazione di fuliggine nella canna fumaria o nel canale da fumo. Una maggiore emissione di calore significa meno combustibile.

Conservazione della legna:



Per assicurare una corretta essiccazione della legna, tagliarla in inverno e conservarla al coperto lasciando molto spazio intorno per garantire la circolazione dell'aria.

Non coprirla completamente, lasciare un po' spazio in modo che l'aria possa circolare attorno alla legna. Non sigillare.

Portare in casa la legna che si intende utilizzare e conservarla per alcuni giorni prima di bruciarla per essere sicuri di aver ridotto in maniera sufficiente l'umidità.



Non bruciare legname da costruzione, legno verniciato, legno impregnato/trattato, assi lavorate o legno dei pallet.

RIMOZIONE DELLA CENERE

È possibile ottimizzare la combustione della legna aggiungendo un letto di ceneri. Le nervature in rilievo sulla grata forniscono una buona indicazione della profondità ideale.

Prevenire l'accumulo di cenere all'interno dell'apparecchio, il che influisce sul corretto funzionamento e potrebbe danneggiare l'apparecchio.

Rimuovere la cenere con una paletta (disponibile presso Stovax). Fare attenzione di non danneggiare il rivestimento in ceramica dell'apparecchio. Non utilizzare attizzatoi appuntiti.

Rimuovere la cenere con cautela: il calore può persistere anche molto tempo dopo lo spegnimento.

Inserire con cautela la cenere nel raccogli cenere Stovax .

Non collocare la cenere calda in contenitori di plastica o di altro materiale combustibile.

SOVRACOMBUSTIONE

Una quantità eccessiva di combustibile o un periodo elevato di funzionamento a regime massimo possono causare la sovracombustione.

Attenzione: non utilizzare la stufa con la funzione di controllo dell'aria principale aperta per lunghi periodi di tempo per evitare una combustione eccessiva e causare danni irreversibili.

L'eccessiva combustione può determinare danni permanenti alla stufa e rendere nulla la garanzia del prodotto.

INCENDIO DEL CAMINO

In caso di incendio del camino:

- Chiudere immediatamente tutti i comandi dell'aerazione.
- Evacuare l'edificio.
- Chiamare i vigili del fuoco.
- Non entrare nell'edificio finché non è stato dichiarato lo stato di sicurezza.

Non utilizzare l'apparecchio dopo un incendio del camino finché:

- a) Un installatore certificato non l'abbia controllato e abbia confermato che l'apparecchio può essere utilizzato in sicurezza.
- b) Uno spazzacamino non abbia ispezionato e pulito il camino e abbia confermato che la struttura è solida e libera da ostruzioni.
- c) Sia stato adeguatamente riparato prima del riutilizzo. Utilizzare solo parti di ricambio Stovax originali per mantenere l'apparecchio in condizione operativa sicura ed efficiente.

PULIZIA GENERALE

Pulire e controllare regolarmente l'apparecchio, specialmente in periodi di utilizzo intenso. La manutenzione e la pulizia regolari prolungheranno la durata dell'apparecchio.

Lasciare raffreddare l'apparecchio per evitare il rischio di combustione.

Eseguire le operazioni di pulizia periodicamente in base al livello di utilizzo.

Eliminare completamente la cenere.

Controllare eventuali danni dei componenti interni (grate, mattoncini, pannelli) e l'accumulo di fuliggine, cenere e detriti sui pannelli nella parte superiore della camera di combustione. Se necessario, utilizzare una torcia.

Se si rilevano accumuli di detriti sui deflettori procedere come segue:

- Far pulire il camino.
- Rimuovere i deflettori e ripulire l'ostruzione.

Per aggiornare dipinto finisce un ritocco spray è disponibile. Contattate il vostro rivenditore Stovax citando il numero di serie riportato sul distintivo dati dell'apparecchio.

Non utilizzare spray aerosol nei pressi di un apparecchio in funzione.

PULITURA DEL VETRO

Pulire il vetro utilizzando correttamente il sistema Airwash e combustibile di alta qualità.

A volte potrebbe rendersi necessaria un'ulteriore pulizia. Prima di eseguire questa operazione, attendere il completo raffreddamento dell'apparecchio. Non pulire il vetro caldo.

Sugli apparecchi con vetro stampato non utilizzare agenti detergenti a elevato contenuto alcalino o acido. Questi agenti detergenti aggressivi sono destinati all'uso su vetri trasparenti fortemente macchiati. Sulle superfici di vetro stampato utilizzare Stovax Glass Cleaner (codice Stovax 4103), la cui formulazione è più adatta per questa applicazione.

Prima di applicare un agente detergente, rimuovere eventuali polvere e fuliggine con un panno umido.

Utilizzare un detergente apposito per il vetro. Applicare il liquido di pulizia su un panno prima di strofinare sul vetro.

Applicare con attenzione e non usare una quantità eccessiva di prodotto. Tentare di evitare che il prodotto coli e bagni le guarnizioni intorno al bordo del vetro.

La fuliggine può contenere particelle acide che possono corrodere il vetro stampato.

Rimuovere lo sporco con un panno umido e asciugare tamponando.

Alcuni tipi di legna possono determinare la formazione di residui bianchi sul vetro.

In tal caso, rimuovere i residui almeno una volta a settimana durante i periodi di utilizzo assiduo.

Nel caso in cui risulti impossibile rimuovere i residui con i liquidi pulenti consigliati, Stovax offre una tavoletta per la pulizia a secco che aiuta a rimuovere le macchie pesanti.

Prima di riaccendere l'apparecchio, accertarsi che il vetro sia completamente asciutto.

Se la guarnizione ha assorbito una quantità eccessiva di agente detergente, è consigliabile sostituirla al più presto per preservare la stampatura del vetro.

PULIZIA DEL CAMINO

Per garantire la sicurezza e l'efficienza nell'utilizzo dell'apparecchio, il camino/la canna fumaria devono essere controllati e puliti almeno una volta all'anno da un tecnico qualificato.

Se l'apparecchio è utilizzato di frequente nel corso dell'anno o se lo si utilizza per bruciare legno o combustibile senza fumo, si consiglia una pulitura più frequente.

Il momento migliore per la pulitura del camino è all'inizio della stagione di utilizzo.

Il camino, i tubi della canna fumaria e i condotti della canna fumaria dell'apparecchio, se incorporati, devono essere puliti regolarmente.

Assicurare un adeguato accesso agli sportelli di pulitura nei casi in cui non sia possibile pulire il camino.

Se il camino è stato utilizzato in passato come camino tradizionale, è necessario pulirlo una seconda volta entro un mese di regolare utilizzo dopo l'installazione.

ALLARMI DI MONOSSIDO DI CARBONIO

Le normative edilizie richiedono che, ogni volta che una stufa alimentata con combustibili solidi fissi o legno/biomasse viene installata in un'abitazione, è necessario installare un rilevatore di monossido di carbonio nella stessa stanza della stufa.

La presenza di un allarme non deve essere considerata una soluzione in grado di sostituire un'installazione corretta della stufa o la manutenzione e la riparazione periodiche della stufa e del sistema della canna fumaria.

RISOLUZIONE DEI PROBLEMI

Funzionamento - Difficoltà nell'accendere e mantenere vivo il fuoco

- Verificare che la legna utilizzata abbia un'umidità inferiore al 20%.
- Riscaldare il canale da fumo che attraversa la stufa utilizzando un cannello ossidrico o carta di giornale.
- Assicurarsi che i comandi dell'aria funzionino correttamente.
- Aprire una finestra vicino alla stufa per verificare il flusso dell'aria nella stanza.
- Assicurarsi che i condotti dell'aria e il canale da fumo siano puliti e in buone condizioni. Qualsiasi blocco completo o parziale influirà sulle prestazioni dell'apparecchio.
- Rileggere le istruzioni di accensione e assicurarsi di seguire la procedura corretta compresa la quantità di combustibile.

Annerimento del vetro

Durante la combustione di legna e combustibili solidi si verificherà sempre un certo scolorimento del vetro. Tuttavia una formazione eccessiva di cenere può essere causata da:

- Legna con un contenuto di umidità maggiore del 20% determinerà una scarsa combustione e poco fumo, generando catrame e creosoto.
- Una bassa temperatura di combustione. Ciò non creerà un tiraggio sufficiente nel canale da fumo creando una scarsa combustione e fiamme che generano più fumo.
- Alimentazione/rifornimento non corretti che generano poche fiamme o fiamme che toccano il vetro.

Odore eccessivo di fumo

- In alcune condizioni atmosferiche il vento potrebbe spegnere la stufa se proviene da determinate direzioni.
- Sportello aperto con fiamme presenti nella scatola di combustione.

Scolorimento di alcune parti

- Per consentire l'assestamento dell'apparecchio e la completa solidificazione di colle di fissaggio e vernici, utilizzare l'apparecchio a una bassa temperatura per i primi giorni.
- Non toccare la vernice durante il primo periodo di utilizzo.
- Durante questo periodo l'apparecchio potrebbe rilasciare alcuni odori sgradevoli. Mantenere ben ventilata la stanza per evitare la formazione di fumi.
- È bene sapere che durante l'utilizzo la vernice e le guarnizioni potrebbero scolorirsi. Questo è normale.

Questioni legate alla garanzia - i termini e le condizioni di garanzia completi sono presenti nel libretto fornito insieme all'apparecchio.

In caso di problemi con la stufa o il caminetto, eventuali richieste devono essere presentate innanzitutto al Rivenditore specializzato da cui è stato acquistato il prodotto. Il Rivenditore specializzato sarà in grado di offrire assistenza immediata oppure, dopo aver effettuato una visita presso di Lei, si metterà in contatto con Stovax a Suo nome. Durante la chiamata di assistenza Stovax Le chiederà la ricevuta della registrazione, i documenti relativi all'avviamento e lo storico dell'assistenza se applicabile (lo storico dell'assistenza è richiesto per tutti i prodotti con oltre 12 mesi di vita). Qualsiasi richiesta in garanzia priva delle necessarie informazioni sarà inoltrata nuovamente al Rivenditore specializzato da cui è stato acquistato il prodotto.

REQUISITI LEGALI

Prima dell'installazione e/o dell'utilizzo dell'apparecchio leggere attentamente le presenti istruzioni nella loro integrità per assicurarsi di comprendere tutte le indicazioni in esse contenute.

L'apparecchio deve essere montato da un installatore certificato o approvato dal funzionario locale addetto al controllo degli edifici.

È molto importante comprendere i requisiti delle normative edilizie nazionali e degli standard relativi, nonché le altre normative locali e le procedure di lavoro applicabili. Nel caso di eventuali conflitti tra queste istruzioni e le relative normative, devono essere applicate le normative.

L'ufficio locale di controllo edilizio può fornire consulenza relativa ai requisiti delle normative.

PRECAUZIONI PER LA SALUTE E LA SICUREZZA

I lavori devono essere eseguiti con cura per soddisfare i requisiti di salute e sicurezza e rispettare le normative di riferimento, nonché eventuali nuove normative introdotte durante il periodo di validità delle presenti istruzioni. Particolare attenzione dovrebbe essere prestata a quanto segue:

- **Manipolazione:** l'apparecchio è pesante. Devono essere disponibili strutture adeguate per il carico, lo scarico e la movimentazione in loco.
- **Cemento refrattario:** alcuni tipi di cemento refrattario sono caustici e non devono entrare in contatto con la pelle. Indossare guanti protettivi. Lavarsi accuratamente le mani con molta acqua dopo il contatto con la pelle.
- **Amianto:** questo apparecchio non contiene amianto. Se durante l'installazione esiste la possibilità che si verifichino problemi di spostamento dell'amianto, richiedere l'assistenza di uno specialista e utilizzare attrezzature adeguate.
- **Parti metalliche:** durante l'installazione o la manutenzione della stufa, prestare attenzione per evitare lesioni personali.

Un'installazione difettosa può causare pericolo agli abitanti e alla struttura dell'edificio.

Per gli utenti di questo apparecchio:

La compagnia di assicurazione stabili potrebbe chiederti di informarti che hai installato un nuovo apparecchio per il riscaldamento. Verificare che la copertura sia ancora valida dopo l'installazione dell'unità.

Alimentazione aria comburente:

Questa stufa richiede un flusso costante di aria per mantenere una combustione corretta e offrire prestazioni della canna fumaria efficaci.

Un flusso inadeguato di aria determina una combustione non sufficiente e provoca fuoriuscite di fumo nella stanza potenzialmente pericolose.

Il flusso di aria può provenire da:

- Ventilazione specifica.
- Alcuni prodotti Stovax possono essere installati con un kit di aria opzionale esterno che consente l'aspirazione dell'aria dall'esterno.

La quantità di aria richiesta deve soddisfare i regolamenti edilizi locali.

MESSA IN SERVIZIO E CONSEGNA

Assicurarsi che tutte le parti siano montate in conformità con le istruzioni.

Ad installazione ultimata attendere un adeguato lasso di tempo per l'asciugatura dell'eventuale cemento refrattario e malta, prima di accendere la stufa. Una volta che l'apparecchio è in funzione verificare l'integrità di tutte le guarnizioni e il funzionamento della canna fumaria.

correttamente e che tutti i prodotti della combustione siano scaricati in modo sicuro nell'atmosfera tramite il terminale del camino.

Al termine dell'installazione e della messa in servizio, lasciare al cliente le istruzioni per l'uso dell'apparecchio. Assicurarsi di consigliare il cliente sull'uso corretto e avvertirlo di utilizzare solo il carburante consigliato per l'apparecchio.

Consigliare all'utente cosa fare in caso di emissione di fumo o esalazioni dall'apparecchio.

Il cliente deve essere avvertito di utilizzare un dispositivo antincendio in presenza di bambini, persone anziane e / o inferme.

CANNA FUMARIA O CAMINO

La canna fumaria o il camino devono essere in buone condizioni. Devono essere controllati da un tecnico competente e dichiarati idonei per l'utilizzo con l'apparecchio prima dell'installazione. L'infiltrazione nell'ambiente di prodotti della combustione può essere causa di seri rischi per la salute.

Si consiglia di verificare quanto segue:

- Prima di riaccendere il fuoco dopo un periodo di spegnimento prolungato, verificare che non vi siano ostruzioni all'interno della stufa e della canna fumaria.
- Che la costruzione dei camini in muratura, dei camini a blocchi per canne fumarie e del sistema di collegamento della canna fumaria risponda ai requisiti delle normative edilizie.
- Che sia utilizzato un sistema flessibile di rivestimento per canne fumarie certificato per l'utilizzo con sistemi di combustibile solido e installato in base alle istruzioni del produttore e alle normative edilizie. La canna fumaria deve essere sostituita quando si sostituisce l'apparecchio a meno che si dimostri che l'apparecchio sia di recente installazione e in buone condizioni.
- Se è necessario installare un dispositivo di controllo del tiraggio, questo deve essere conforme alle normative edilizie.
- L'altezza minima della canna fumaria o del camino deve essere di 4,5 m dal focolare alla parte superiore della canna fumaria, senza sezioni orizzontali, e deve presentare un massimo di 4 curvature con angoli non inferiori a 45°.
- Ci Deve essere di almeno 600 millimetri di canna fumaria verticale sopra l'apparecchio prima dell'introduzione di curve.
- Assicurarsi che la canna fumaria di collegamento sia tenuta alla giusta distanza da qualsiasi tipo di materiale combustibile e non faccia parte della struttura portante dell'edificio.
- L'installatore deve garantire il diametro del tubo fumi non è inferiore al diametro della presa dell'apparecchio e non fa stretto inferiore alla dimensione della presa in qualsiasi punto del sistema.

- Prendere misure per rimuovere l'apparecchio senza necessità di smantellare il camino.
- Eventuali canne fumarie già presenti devono essere dichiarate conformi al nuovo utilizzo come definito delle normative edilizie.
- Se si ritiene che l'apparecchio sia stato precedentemente utilizzato come focolare aperto, il camino deve essere pulito nuovamente entro un mese di utilizzo regolare dopo l'installazione per eliminare l'eventuale fuliggine depositata a causa di una differenza dei livelli di combustione.
- L'uscita della canna fumaria dall'edificio deve essere conforme alle normative edilizie locali.
- Non allacciare né utilizzare in condivisione sistemi di canne fumarie con altri elettrodomestici per il riscaldamento.

Non collegare a sistemi a grandi vuoti.

Garantire un accesso adeguato per la raccolta e l'eliminazione dei detriti.

Pulire e ispezionare la canna fumaria al momento dell'installazione dell'apparecchio.

TIRAGGIO DELLA CANNA FUMARIA

Controllare il tiraggio della canna fumaria tenendo chiuse tutte le finestre e gli sportelli e facendo girare le ventole di estrazione alla massima velocità nell'ambiente interessato o negli ambienti attigui.

SPRAY PER AEROSOL

Non utilizzare uno spray aerosol sopra o vicino all'apparecchio quando è acceso.

MATERIALI COMBUSTIBILI IN CASA

Non collocare fotografie, TV, quadri, oggetti in porcellana o altri materiali combustibili sulla parete o vicino all'apparecchio. L'esposizione a temperature elevate è dannosa. Non collocare mobili o altri oggetti come abiti da asciugare davanti all'apparecchio a meno di un metro di distanza.

INFORMAZIONI SUL MATERIALE DEL PRODOTTO

Le sostanze, i preparati o i componenti seguenti devono essere smaltiti o recuperati separatamente rispetto ad altri RAEE in conformità all'articolo 4 della direttiva del Consiglio dell'UE 75/442/CEE.

Metallo	Acciaio	Possono essere conferiti a un centro di riciclaggio locale per il loro recupero al fine di ridurre la quantità di rifiuti portati in discarica.
	Ghisa	
Vetro		Possono essere conferiti a un centro di riciclaggio locale per il loro recupero al fine di ridurre la quantità di rifiuti portati in discarica.
Rivestimenti in vermiculite		Materiale non pericoloso. La vermiculite può essere frantumata e utilizzata per il substrato delle aiuole e la cenere destinata al compostaggio o portata presso un centro di riciclaggio locale per il suo recupero al fine di ridurre la quantità di rifiuti conferiti in discarica.
Guarnizioni		Le guarnizioni sono realizzate in fibra ceramica refrattaria (FCR), un materiale spesso utilizzato per questa applicazione. Non è necessario indossare indumenti di protezione quando si manipolano questi articoli ma è consigliato attenersi alle normali norme igieniche che prevedono il divieto di fumare, mangiare o bere nell'area di lavoro e di lavarsi sempre le mani prima di mangiare o bere. Durante gli interventi di assistenza sull'apparecchio si consiglia di non smontare i componenti sostituiti ma di sigillarli all'interno di sacchetti di polietilene resistenti e di contrassegnarli come rifiuti FCR. I rifiuti FCR sono classificati come rifiuti pericolosi non reattivi e stabili e possono essere smaltiti in una discarica autorizzata.
Componenti elettrici	(kit di ventole ecc. se applicabile)	Smaltire presso un centro di riciclaggio locale in conformità alla direttiva RAEE.

ALGEMENE INFORMATIE

BELANGRIJK

DE BUITENKANT EN DE VOORKANT VAN DE RUIT WORDT EXTREEM HEET TIJDENS DAT DE HAARD/KACHEL BRAND. HIERDOOR KAN ER BIJ HET AANRAKEN ERNSTIG LETSEL EN BRANDWONDEN ONTSTAAN. HET WORDT DAAROM AANBEVOLEN DAT ER EEN HAARDSCHERM DAT VOLDOET AAN BS 8423 (LAATSTE EDITIE) WORDT GEBRUIKT BIJ DE AANWEZIGHEID VAN JONGE KINDEREN, OUDEREN OF MINDERVALIDE PERSONEN.

GASSEN ALS GEVOLG VAN EEN GEBLOKKEERDE SCHOORSTEEN ZIJN GEVAARLIJK. HOUD DE SCHOORSTEEN SCHOON LAAT DEZE REGELMATIG VEGEN EN REINIGEN VOLGENS DE INSTRUCTIES VAN DE FABRIKANT.

Alle lokale voorschriften, inclusief die welke verwijzen naar nationale en Europese normen, moeten worden nageleefd bij het gebruik van de haard/kachel.

Het is niet toegestaan afval in de haard/kachel te verbranden. Gebruik alleen aanbevolen brandstoffen. Lees de gebruiksaanwijzing aandachtig door voor installatie en bij in gebruik name.

Bewaar deze handleiding op een veilige plaats voor toekomstig gebruik en voor onderhoud aan de haard/kachel.

De haard/kachel moet worden geplaatst door een geregistreerde installateur of goedgekeurd door uw plaatselijke bouwtoezichthouder.

Alleen gebruiken voor verwarming van de woning in overeenstemming met deze gebruiksaanwijzing. U mag alleen goedgekeurde brandstoffen verbranden. Gebruik van vloeibare brandstoffen is niet toegestaan.

De oppervlakken van de haard/kachel worden tijdens gebruik erg heet. Gebruik een geschikt haardscherm als er jonge kinderen, ouderen of mindervalide personen aanwezig zijn. Stovax heeft haardschermen en overige producten voor de bescherming hiervan. Uw Stovax dealer kan u adviseren over deze producten.

WAARSCHUWING: Extra brandstof mag niet op of naast de haard/kachel worden bewaard. Houd alleen voldoende brandstof voor direct gebruik in de buurt de haard/kachel maar laat deze nooit langere tijd onbeheerd achter met brandbaar materiaal in de buurt.

Centrale ventilatie systemen, afzuigkappen en andere verwarmingstoestellen die in dezelfde ruimte of ruimte als de haard/kachels staan, kunnen voor problemen zorgen. Er moet dan extra ventilatie worden geïnstalleerd volgens de vereisten van elk apparaat.

De haard/kachel mag niet worden geïnstalleerd met ventilatiesystemen met een druk lager dan -15 Pa.

Blokkeer de binnen- of buitenventilatie die nodig is voor een veilig gebruik van de haard/kachel niet.

Breng geen ongeoorloofde wijzigingen aan de haard/kachel.

De schoorsteen moet minimaal één keer per jaar worden geveegd.

Verbind of deel de zelfde schoorsteen of hetzelfde rookkanaal niet met een andere haard/kachel.

WAARSCHUWING



Bij een juiste installatie, bediening en onderhoud zal dit apparaat geen rook gassen in de kamer uitstoten, maar af en toe kunnen er wel rook, gassen ontstaan als gevolg van het bijvullen. Aanhoudende rookemissie is potentieel gevaarlijk en mag niet worden getolereerd. Als de rookontwikkeling aanhoudt:

- Open deuren en ramen om de kamer te ventileren.
- Verlaat de kamer
- Laat het vuur uitbranden of verwijder de brandstof veilig uit de haard/kachel.
- Controleer op verstopping van de schoorsteen en reinig deze indien nodig.
- Probeer niet opnieuw aan te steken totdat de oorzaak van de emissie is geïdentificeerd en gecorrigeerd.
- Win eventueel deskundig advies in.

Alle toestellen met een open rookkanaal kunnen worden beïnvloed door tijdelijke atmosferische omstandigheden waardoor rook gassen het huis kunnen binnendringen. Daarom moet er in dezelfde ruimte als het apparaat een elektronische koolmonoxidedetector worden geïnstalleerd die voldoet aan de laatste editie van BSEN50291. Het plaatsen van een alarm mag niet worden beschouwd als een vervanging voor regelmatig onderhoud van de haard/kachel en het schoorsteensysteem.

ALS HET ALARM AFGAAT, VOLG DAN DE HIERBOVEN GEGEVEN INSTRUCTIES.

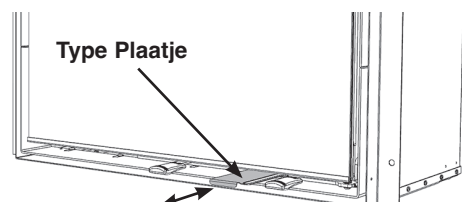


BELANGRIJK: Stovax biedt handschoenen in handschoenen met een kaphandschoen die de gebruiker beschermt tegen hitte en scherpe randen bij gebruik van het apparaat. Voor uw veiligheid moet u ervoor zorgen dat handschoenen altijd gedragen worden bij het openen, bedienen, tanken of hanteren van inwendig metaalwerk.

SERIENUMMER

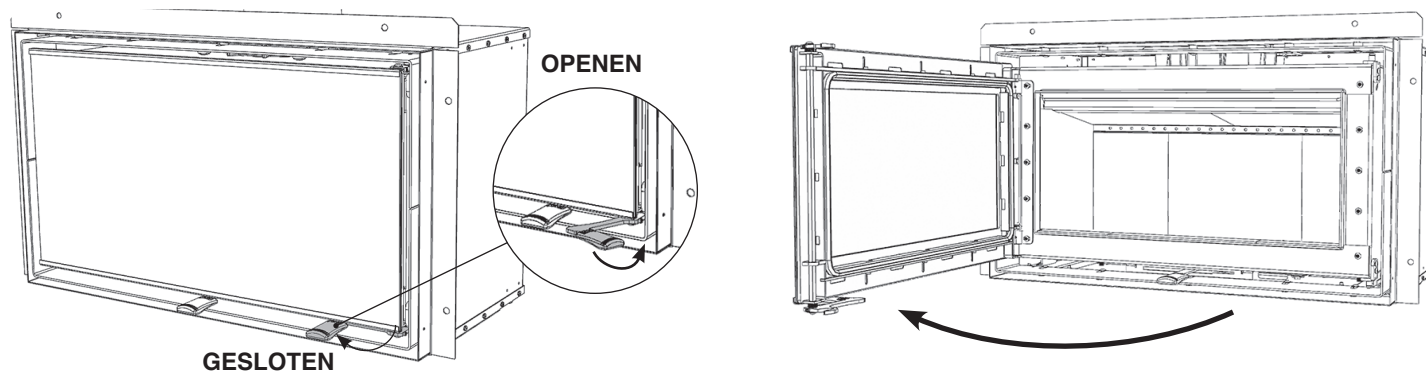
Dit nummer is vereist bij het bestellen van reserveonderdelen of het indienen van garantieclaims.

Het type plaatje kunt u vinden:



AAN DE SLAG

OPENEN DEUR



SCHONE VERBRANDING & UW KACHEL

Stovax-producten zijn bedoeld als bijverwarming voor uw huis en zijn ontworpen om de uitstoot in de atmosfeer afkomstig van de verbranding van hout te minimaliseren.

Daarvoor is echter een afwijkende aansteektechniek en brandstof van goede kwaliteit vereist ter optimalisatie van de ontbranding van de kachel en om het rookkanaal op bedrijfstemperatuur te brengen.

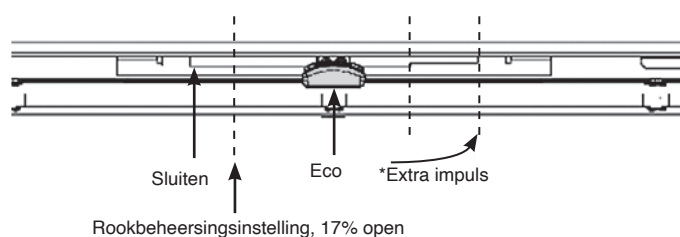
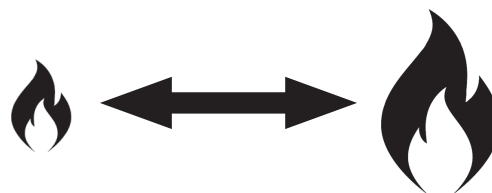
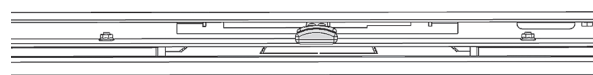
Stovax adviseert u om u vertrouwd te maken met de werking van de kachel, het juiste type goed gedroogde brandstof en bewaarmethodes daarvan voor de beste stookresultaten.

Een effectieve, schone verbranding wordt verkregen als het rookkanaal goed trekt en een goede kwaliteit brandstof wordt gebruikt. Gaandeweg zult u leren om de beste instellingen te kiezen voor gebruik en te zorgen voor een zo optimaal mogelijk brandstofverbruik..



LUCHTREGELING

- Stel de luchtregelaars in op 50% om het apparaat geventileerd te houden en de opbouw van vocht binnenin te voorkomen wanneer de haard/kachel voor langere tijd niet wordt gebruikt.
- Als er nog brandende brandstof/hout in de verbrandingskamer zit, sluit de luchtregelaars dan niet volledig af, tenzij er een schoorsteenbrand gaande is.
- Het sluiten van de luchttoevoer regelaars tijdens het verbrandingsproces veroorzaakt een slechte verbranding en kan leiden tot een opeenhoping van rookgassen die gevaarlijk kunnen ontbranden.
- Laat altijd voldoende lucht in de haard/kachel komen om vuur te behouden.
- Als het nodig is om de haard/kachel uit te laten gaan, laat deze dan op een hoge stand branden totdat alle brandstof is verbrand voordat u de luchtregelaars sluit.
- Sluit de luchtregelaars wanneer deze niet in gebruik zijn nadat het verbrandingsproces volledig is beëindigd.



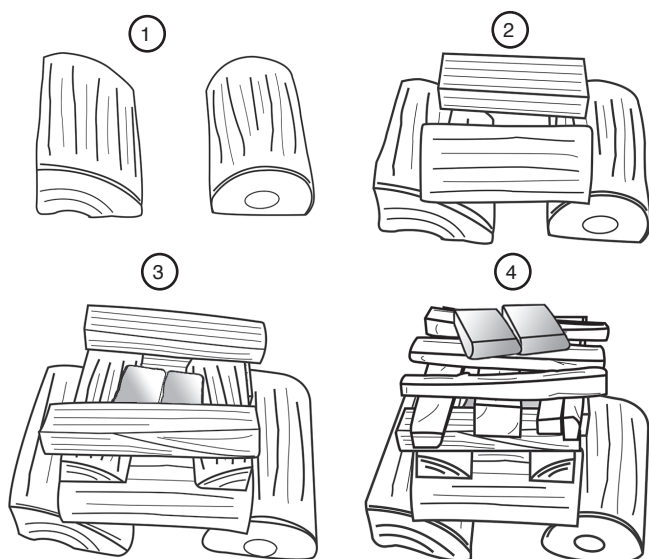
AANSTEKEN



Controleer voor het aansteken van de haard/kachel bij de installateur of de hierboven beschreven installatiewerkzaamheden en inbedrijfstellingscontroles correct zijn uitgevoerd. Vraag of de schoorsteen geveegd is en vrij was van obstakels. Als onderdeel van de inbedrijfstelling en overdracht van de haard/kachel moet de installateur u hebben laten zien hoe u de kachel correct moet gebruiken.

Voor een stapel voor aansteking van boven naar beneden:

- Plaats twee middelgrote houtblokken parallel op de basis van de vlamkast.
- Plaats twee kleinere houtblokken erbovenop, parallel lopende langs de onderste houtblokken.
- Bouw de stapel verder op met kleinere houtblokken en plaats aanmaakblokjes in het midden.
- Voltooi de stapel door nog twee houtblokken toe te voegen en aanmaakblokjes erbovenop de plaatsen. En nog meer als extra aanmaakhout nodig is.



Aanmaken:

Fijngehakt hout

Lengte 250 mm

Diameter: 20 mm

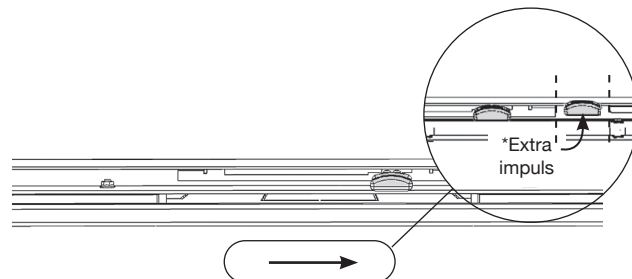
Gewicht per stookbeurt: 2,0 kg (ca. 8-12 fijngehakte stukken)

N.B.: Aanmaken is vereist om de verbrandingskamer snel op de juiste bedrijfstemperatuur te brengen. Onjuist aanmaken kan resulteren in overmatige rookontwikkeling en het doven van het vuur zodra de deur wordt gesloten. Een geslaagd vuur vereist voldoende aanmaakhout om een hete vuurkast te creëren en de schoorsteen op te warmen om de rookprestatie te ondersteunen.

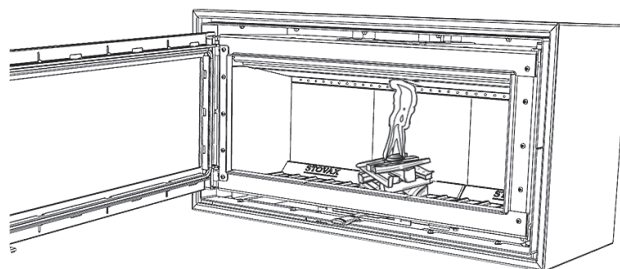
Gebruik de Extra Impuls instelling om het vuur tot stand te brengen en tijdens de eerste momenten van bijvullen.

Laat het apparaat niet gedurende langere tijd op deze instelling staan, omdat dit de haard/kachel kan oververhitten en zo kan beschadigen.

Laat de deur op een kier staan terwijl het vuur aanwakkert en de ruit opwarmt om zo condensvorming te voorkomen.



* Om de Extra Impuls te verkrijgen, moet de schuif over de verdikking in het mechanisme worden gelift.



HET APPARAAT VOOR DE EERSTE KEER GEBRUIKEN

Hierdoor kan het apparaat zich goed zetten en kan alle bevestigingslijm en verf volledig opdrogen. Het apparaat gedurende de eerste paar dagen op een lage stand gebruiken.

Raak de verf gedurende de initiële gebruikperiode niet aan.

Het apparaat kan gedurende deze tijd onplezierige geuren afgeven. De ruimte goed ventileren om de opbouw van rook te voorkomen.

Houd er rekening mee dat tijdens het gebruik de afdichtingskoorden kunnen verkleuren. Dit is normaal.



BELANGRIJKE OPMERKINGEN - ALGEMEEN

Controleer voor het aansteken van de kachel met de installateur of de installatie- en inbedrijfstellingscontroles correct zijn uitgevoerd en of de schoorsteen is schoongeveegd, in orde is en vrij van obstructies.

Als onderdeel van de inbedrijfstelling en overdracht van de kachels had de installateur u moeten laten zien hoe u de kachel correct bedient.

Gebruik nooit benzine, lampolie, petroleum, aanmaakvloeistof voor houtskool, ethanol of vergelijkbare vloeistoffen om een vuur in de haard aan te steken of opnieuw aan te steken. Houd dergelijke vloeistoffen ver verwijderd van de haard als deze in gebruik is.

HET APPARAAT GEBRUIKEN



Zorg ervoor dat de deurafdichtingen in goede staat is voordat u het apparaat aansteekt. **GEBRUIK** het apparaat **NIET** als er schade wordt waargenomen.

Hout brandt het beste op een bedje van as. De verhoogde ribbels op het stookrooster zijn een goede indicatie van de ideale diepte.

Verspreid het verkoolde hout gelijkmatig over het rooster of de vlakke stookbodem. Open de luchtschuif voor de luchtstroom voor over de ruit (airwash) een paar minuten volledig voordat u bijvult.

Voeg nieuwe houtblokken toe en stapel ze in een open opstelling om het hout effectief te laten branden.



Open stapeling



Compacte stapeling

Sluit de deuren direct na het toevoegen van brandstof.

BIJVULLEN VAN BRANDSTOF

BRANDSTOF BIJVULLEN

BESCHRIJVING	LENGTE HOUT	DIAMETER	BRANDSTOFVERBRUIK
			KG/UUR HOUT
Studio Air 1	375mm	126mm	1.6
Studio Air 2	450mm	126mm	2.51

Verbrand geen grote hoeveelheden hout met de luchtregelaars gedurende lange tijd gesloten (uitschakelstand). Dit vermindert het ruitreinigingseffect (airwash), zorgt voor ophoping van teer en creosoot in de haard/kachel en het rookkanaal en veroorzaakt overmatige hoeveelheden rook.

Als de haard/kachel in gebruik is en het gedurende een korte periode op hoge temperatuur brand, zal de teer en creosoot verminderd worden.

Vul tijdens het gebruik van de haard/kachel regelmatig bij voor een efficiënte verbranding.

Vul geen hout bij als er voldoende vuur in de brander kamer aanwezig is. Hierdoor zou er rook of vlammen de kamer in kunnen komen.

Een heldere en schone brander kamer geeft aan dat de haard/kachel goed brandt.

Laat geen hout boven de houtblokkenvanger uitkomen, en leg geen hout tegen de inlaat van de secundaire verbranding aan de achterkant van de brander kamer.

De maximale hoeveelheid hout gespecificeerd in deze handleiding mag niet worden overschreden, overbelasting kan overmatige rookontwikkeling veroorzaken.

Vul regelmatig bij voor een helder en schoon brandende haard/kachel.

Overbelast de brander kamer niet, dit zal slechte prestaties en overmatige rook veroorzaken.

Na het bijvullen:

Brand een paar minuten op hoge temperatuur voordat u de luchtregelaars aanpast.

WAARSCHUWING: GEBRUIK DE LUCHT REGELAARS BIJ HET OPSTARTEN NIET TE LANG. DIT KAN EEN PERMANENTE SCHADE VEROORZAKEN.



Verbrand geen constructiehout, geverfd, geïmpregneerd/behandeld hout, vervaardigde plaatproducten of pallethout.

Stook alleen houtblokken met een vochtgehalte van minder dan 20%.

Stook geen bitumineuze kolen, petro-cokes of andere brandstoffen op basis van aardolie, aangezien hierdoor de garantie vervalt.

AANBEVOLEN HOUT

HOUT BLOKKEN:

Stook alleen gedroogd hout met een vochtgehalte van minder dan 20%. Laat de gehakte houtblokken 12 tot 18 maanden drogen.

VERBRAND GEEN constructiehout, geverfd, geïmpregneerd/ behandeld hout, vervaardigde plaatproducten of pallethout. GEBRUIK GEEN kaarsen als brandstof. Gesmolten kaarsen beschadigen de bewegende delen van de haard/kachel.

Hout kiezen:

Bijna alle houtsoorten kunnen als brandstof in het toestel worden gebruikt. Verschillende houtsoorten hebben verschillende dichtheden: hoe hoger de dichtheid van het hout, hoe hoger de energiewaarde. Eiken, beuken en berken hebben de hoogste waarde.

Het juiste vochtgehalte voor brandhout dat klaar is om te branden, ligt onder de 20% vochtgehalte.

Als hout te nat is, zal het moeilijk aan te steken zijn, en moeite hebben om te verbranden, weinig warmte afgeven en teervorming in de schoorsteen veroorzaken.

Dit kan leiden tot schoorsteenbrand, dus het is belangrijk om gedroogd brandhout te stoken.

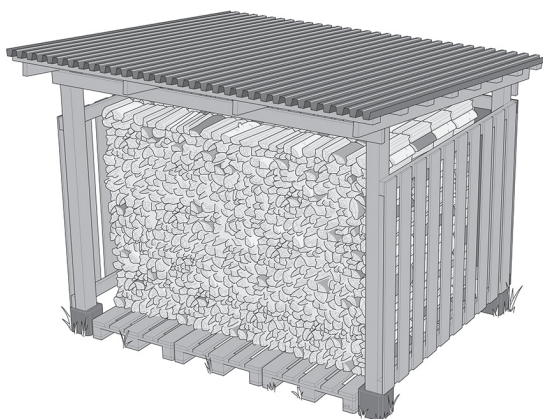
Droog hout geeft meer warmteafgifte, voorkomt zwart worden van de ruit en er is minimale roetvorming in de schoorsteen of het rookkanaal. Meer warmteafgifte staat gelijk aan minder brandstof verbruik.

Houtopslag:

Om ervoor te zorgen dat het hout goed droog is, zaagt of hakt u het in de winter en bewaart u het onder een afdak met voldoende ruimte ertussen voor een goede luchtcirculatie.

Dek en sluit het hout niet volledig af, laat een opening open zodat er voldoende lucht bij kan.

Breng voor gebruik bestemd hout naar binnen en bewaar het een paar dagen voordat u gaat stoken om ervoor te zorgen dat het vocht voldoende is afgenomen.



AS VERWIJDEREN

Hout brandt het beste op een bedje van as. De verhoogde ribbels op het stookrooster zijn een goede indicatie van de ideale diepte. **Laat niet teveel as in de haard/kachel, omdat dit niet goed zal verbranden en dan schade kan veroorzaken.**

Verwijder de as met een schepje (verkrijgbaar bij Stovax). Pas op dat u de keramische bekleding van de haard/kachel niet beschadigt. Gebruik geen scherpe puntige poken.

As voorzichtig verwijderen – deze kan lang warmte blijven.

Plaats de as voorzichtig in een Stovax Ash Caddy.

Plaats geen hete as in een container gemaakt van plastic of een ander brandbaar materiaal.

OVERVERHITTING

Gebruik en over vul de haard/kachel niet met te veel hout en laat deze niet gedurende langere tijd op hoge temperaturen branden, hierdoor kan oververhitting optreden.

GEBRUIK DE HAARD/KACHEL NIET TE LANG MET EEN GEOPENDE PRIMAIRE LUCHTTOEVOER DIT KAN OVERVERHITTING VEROOZAKEN EN KAN PERMANENTE SCHADE VEROOZAKEN.

Oververhitting kan permanente schade aan de haard/kachel veroorzaken en de garantie laten vervallen.

SCHOORSTEEN BRAND

Als er een schoorsteenbrand ontstaat:

- Sluit onmiddellijk alle luchttoevoer.
- Evacueer het gebouw.
- Bel de brandweer.
- Betreed het gebouw pas opnieuw als het veilig is bevonden.

Het apparaat na een schoorsteenbrand niet gebruiken totdat:

- a) Dit door een erkende installateur geïnspecteerd is en bevestigd dat het apparaat veilig gebruikt kan worden.
- b) Het rookkanaal/schoorsteen is geïnspecteerd en geveegd door een schoorsteenveger, waarbij is bevestigd dat het deze geheel in orde is en vrij van obstakels.
- c) Deze is gerepareerd alvorens deze opnieuw wordt gebruikt. Gebruik alleen originele Stovax onderdelen om uw haard/kachel in een veilige staat te houden.

REINIGEN

Reinig en inspecteer het apparaat regelmatig, vooral in perioden van intensief gebruik. Regelmatige reiniging en onderhoud zorgen voor vele jaren veilig gebruik.

Laat het apparaat goed afkoelen om het risico op brandwonden te voorkomen.

Reinig regelmatig, afhankelijk van het gebruik.
Verwijder de as volledig.

Controleer interne onderdelen op schade aan roosters en stenen en overige onderdelen.

Controleer ook of er geen opeenhoping van roet, as of vuil boven de rookgasafvoer(en) (deze bevinden zich in het bovenste deel van de brander kamer) gebruik hiervoor een zaklantaarn. Als er tekenen zijn van opeenhoping van vuil boven de rookgasafvoer(en):

- Laat de schoorsteen vegen.
- Verwijder het keerschot boven in de brander kamer en verwijder het vuil.

Om geleverde onderdelen bij te werken is er een spuitbus met de juiste lak beschikbaar. Neem contact op met uw Stovax dealer en vermeld het serienummer dat u op het gegevensplaatje van het haard/kachel vindt.

Gebruik geen spuitbussen in de buurt van een brandende haard/kachel.

REINIGEN RUIT

Houd het de ruit schoon met correct gebruik van het ruitreinigingssysteem (airwash en met goed droog hout van goede kwaliteit.

Soms is extra schoonmaak nodig.
Laat de haard/kachel volledig afkoelen voordat u deze handeling uitvoert. Maak geen ruit die heet is schoon.

Gebruik op haarden/kachels met bedrukte ruit geen agressieve reinigingsmiddelen met een hoog alkalisch of zuurgehalte, deze reinigingsmiddelen die zijn ontworpen voor gebruik voor sterk gekleurd helder glas. Gebruik op bedrukte ruit oppervlakken Stovax Ruiten Reiniger (artikelnummer nr. 4103) die speciaal hiervoor is ontworpen.

Voordat u een reinigingsmiddel aanbrengt, verwijder eerst eventueel stof en los roet met een vochtige doek.

Gebruik een geschikte glasreiniger en breng deze aan op een doek voordat u deze over de ruit wrijft.
Zorgvuldig aanbrengen maar niet overmatig. Probeer druipen te voorkomen zodat de vloeistof niet in het koord rond de rand van de ruit kan trekken.
Roet kan ook zure deeltjes bevatten die corrosieve en schade aan een bedrukte ruit kan veroorzaken.

Verwijder vuil met een vochtige doek en wrijf daarna droog.

Sommige houtsoorten kunnen een witte aanslag op het glas veroorzaken. Als dit gebeurt, moet u bij intensief gebruik minstens één keer per week de ruit schoonmaken. Als het aanbevolen reinigingsmiddel dit niet kan verwijderen gebruik dan droge reinigingsdoek van Stovax voor het verwijderen van hardnekkige vlekken.

Zorg ervoor dat de ruit volledig droog is voordat u de haard/kachel weer aansteekt.

Als het koord rond de ruit overtollig reinigingsmiddel heeft opgenomen, is het raadzaam om het koord zo snel mogelijk te vervangen om de bedrukte afwerking op de ruit te behouden.

SCHOORSTEEN

Om een veilig en efficiënt gebruik van de haard/kachel te behouden, moet de schoorsteen/rookkanaal minstens één keer per jaar worden geïnspecteerd en geveegd door een gekwalificeerde schoorsteenveger.

Als het apparaat het hele jaar door continu wordt gebruikt om hout te stoken is vaker vegen aan te raden.

De beste tijd om de schoorsteen te laten vegen is aan het begin van het stookseizoen.

De schoorsteen en alle aansluitende rookkanalen verbonden met de haard/kachel moeten regelmatig worden schoongemaakt.

Zorg voor voldoende toegang voor reiniging daar waar het niet mogelijk is om door de schoorsteen te vegen.

Als wordt aangenomen dat de schoorsteen eerder als openhaard heeft gediend, dan moet deze binnen een maand na regelmatig gebruik voor een tweede keer worden geveegd na installatie.

KOOLMONOXIDE ALARM

Bouwvoorschriften vereisen dat een koolmonoxidemelder, die voldoet aan BS EN50291, moet worden geïnstalleerd in dezelfde ruimte als de haard/kachel.

Het aanbrengen van een alarm mag niet worden beschouwd als een vervanging voor het correct installeren van de haard/kachel of het zorgen voor regelmatig onderhoud van de haard/kachel en het schoorsteensysteem.

PROBLEEMOPLOSSEN

Bediening - vuur lastig aan te maken en in stand te houden

- Zorg dat het gebruikte hout minder dan 20% vocht bevat.
- Warm het rookkanaal op via de kachel door een brandertje of wat krantenpapier te gebruiken.
- Zorg dat alle luchtregelingen correct worden bediend.
- Open een raam in de buurt om de luchtstroom in de ruimte te controleren.
- Zorg ervoor dat de luchttoevoer en het rookkanaal zijn geveegd en in goede conditie zijn. Elke volledige of gedeeltelijke blokkade zal de werking van het toestel negatief beïnvloeden.
- Lees de aanmaakinstructies nogmaals door, volg deze procedure en gebruik de daarin vermelde hoeveelheid brandstof.

Zwart worden van het glas

Bij het verbranden van hout en andere vaste brandstoffen zal het glas van het toestel altijd iets verkleuren. Overmatige afzetting kan worden veroorzaakt door:

- Hout met een vochtgehalte hoger dan 20% brandt slecht en rookt en geeft daarbij teer en creosoot af.
- Lage verbrandingstemperatuur. Dit zal niet resulteren in voldoende trek in het rookkanaal en daartoe leiden tot een slechte verbranding en een vuur dat rook produceert.
- Onjuist (bij)vullen van brandstof zal leiden tot een slechte verbranding resp. aantasting van het glas.

Overmatig ruiken naar rook

- Weersomstandigheden kunnen ertoe leiden dat er terugslag in de schoorsteen plaatsvindt doordat de wind uit een bepaalde richting komt.
- Deur geopend terwijl nog flink wat vlammen in de verbrandingskamer waren.

Onderdelen verkleuren

- Opdat het toestel kan zetten, en lijm en verf volledig uitharden, moet het toestel gedurende de eerste dagen op een lage temperatuur worden gebruikt.
- Raak de verf de eerste tijd niet aan.
- Het is mogelijk dat het toestel de eerste tijd wat geurtjes afgeeft. Zorg ervoor dat de ruimte goed geventileerd is om opeenhoping van dampen te voorkomen.
- Weet dat bij gebruik van het toestel de lak en koordafdichtingen kunnen verkleuren. Dit is normaal.

Garantie - zie het boekje bij uw toestel voor de volledige garantievoorwaarden..

Neem bij problemen met uw kachel of haard eerst contact op met de Expert Retailer waar het product werd gekocht. Uw Expert Retailer zal u direct kunnen helpen of kan na het probleem bij u te hebben bekeken contact opnemen met Stovax namens u. Als een afspraak met de servicedienst van Stovax gemaakt moet worden, dient u het aankoopbewijs, het ingebruiknamerapport en de onderhoudshistorie indien van toepassing te kunnen overleggen (vereist voor alle producten ouder dan 12 maanden). Een garantieclaim zonder de vereiste documentatie zal worden geretourneerd aan uw Expert Retailer bij wie u het toestel hebt aangeschaft.



Gebruik alleen originele Stovax-reserveonderdelen bij het onderhoud van uw haard/kachel.

WETTELIJKE VEREISTEN

Lees deze instructies aandachtig door voordat u deze haard/kachel installeert en/of gebruikt, zodat u alle vereisten volledig begrijpt.

De haard/kachel moet worden geplaatst door een geregistreerde installateur.

Het is erg belangrijk om de vereisten van de nationale bouwvoorschriften en normen te begrijpen, samen met eventuele lokale voorschriften en werkpraktijken die van toepassing kunnen zijn. Mocht er een tegenstrijdigheid ontstaan tussen deze instructies en dit reglement, dan zijn de reglementen van toepassing.

Uw dealer kan u adviseren over de vereisten van de regelgeving.

GEZONDHEIDS - EN VEILIGHEIDSMATREGELEN

Werkzaamheden moeten met zorg worden uitgevoerd om de gezondheid en veiligheid te kunnen garanderen. Er moet worden voldaan aan deze veiligheidsregels en alle nieuwe voorschriften die tijdens de looptijd van deze instructies zijn ingevoerd. Bijzondere aandacht moet worden gevestigd op:

- **Behandeling: Het apparaat is zwaar.** Er moeten voldoende voorzieningen aanwezig zijn voor laden, lossen en afhandeling ter plaatse.
- **Vuorcement:** Sommige vuurvaste cement is bijtend en mag niet in contact komen met de huid. Er moeten beschermende handschoenen worden gedragen. Handen wassen grondig met veel water na contact met de huid.
- **Asbest:** Deze haarden/kachel bevatten geen asbest. Als er asbest moet worden verwijderd tijdens de installatie, zoek dan Specialistische hulp en begeleiding.
- **Metalen onderdelen:** Wees voorzichtig bij het installeren of onderhouden van de haard/kachel om persoonlijk letsel te voorkomen.

Een gebrekkige installatie kan gevaar opleveren voor de bewoners en structuur van het gebouw.

Voor gebruikers van deze haard/kachel:

Uw opstalverzekering kan u vragen om hen te informeren dat er een nieuw verwarmingstoestel in uw woning is geïnstalleerd. Controleer of uw dekking nog geldig is na installatie van het toestel.

Verbrandingsluchttoevoer:

Dit apparaat heeft een constante toevoer van lucht nodig om een goede verbranding en een goed functionerend rookkanaal te behouden.

Een ontoereikende luchttoevoer kan leiden tot slechte verbranding en rook die de kamer binnendringt, wat potentieel gevaarlijk is.

Deze toevoer van lucht kan afkomstig zijn van:

- Doelgerichte ventilatie.
- Sommige Stovax haarden/kachels kunnen ook worden uitgerust met een optionele buitenluchtkit waarmee lucht van buiten kan worden aangezogen.

De benodigde hoeveelheid lucht moet voldoen aan de plaatselijke bouwvoorschriften en de geldende regels.

INBEDRIJFSTELLING EN OVERDRACHT

Zorg ervoor dat alle onderdelen zijn gemonteerd in overeenstemming met de instructies.

Geef na voltooiing van de installatie voldoende tijd om de eventueel aangebrachte vuorcement en mortel te laten drogen voordat u de haard/kachel aansteekt.

Als de haard/kachel eenmaal in werking is, controleer dan alle afdichtingen op deugdelijkheid en controleer of het rookkanaal correct werkt en of alle afvoergassen van de verbranding veilig naar het rookkanaal worden afgevoerd.

Zorg ervoor dat na voltooiing van de installatie en inbedrijfstelling de gebruiksaanwijzing van het apparaat bij de eindgebruiker wordt achtergelaten.

Adviseer de gebruiker over het juiste gebruik en waarschuw hen om alleen de aanbevolen brandstof voor de haard/kachel te gebruiken.

Adviseer de gebruiker wat te doen als er rook of dampen uit de haard/kachel komen.

De gebruiker dient te worden gewaarschuwd om een brandbeveiliging volgens BS 8423 (laatste editie) te gebruiken in geval er jonge kinderen, ouderen of mindervalide personen aanwezig zijn.

ROOKKANAAL EN

De schoorsteen/rookkanaal moet in goede staat verkeren. Het moet vóór installatie worden geïnspecteerd door een bevoegd persoon en goedgekeurd worden voor gebruik van een haard/kachel.

Verbrandingsgassen die de ruimte binnenkomen, kunnen ernstige gezondheidsrisico's met zich meebrengen.

Het volgende moet worden gecontroleerd:

- Controleer voor het opnieuw aansteken na een lange periode de haard/kachel niet gebruikt te hebben op verstoppingen in de haard/kachel en het rookkanaal.
- De constructie van de gemetselde schoorstenen, rookkanalen ofwel rookgasafvoersystemen moet voldoen aan de eisen van de Bouwvoorschriften.
- Een flexibel rookkanaal kan worden gebruikt indien deze gecertificeerd voor gebruik van vaste brandstoffen en de installatie voldoet aan de instructies van de fabrikant en de bouwvoorschriften.
De schoorsteenvoering moet worden vervangen wanneer een apparaat wordt vervangen, tenzij bewezen is dat deze recent is geïnstalleerd en in goede staat verkeert.
- Als het nodig is om een registratieplaatje te plaatsen, moet deze voldoen aan de bouwvoorschriften.
- De minimale hoogte van het rookkanaal of de schoorsteen moet 4,5 m zijn vanaf de haard/kachel tot de bovenkant van het rookkanaal, zonder horizontale secties en met maximaal 4 bochten. Bochten moeten hoeken van minder dan 45 graden ten opzichte van de verticaal hebben.
- Er moet minimaal 600mm verticale naar boven worden gegaan alvorens er bochten mogen worden aangebracht.
- Zorg ervoor dat het rookkanaal op voldoende afstand van brandbaar materiaal wordt geplaatst en geen deel uitmaakt van de draagstructuur van het gebouw.
- De installateur moet ervoor zorgen dat de diameter van het rookkanaal niet kleiner is dan de diameter van de uitlaat van de haard/kachel en op geen enkel punt in het kanaal kleiner wordt dan de uitlaat.
- Zorg ervoor dat de haard/kachel kan worden verwijderd zonder dat de schoorsteen hoeft te worden gedemonteerd.
- Van elk bestaand rookkanaal moet worden bevestigd dat het geschikt is voor het nieuwe beoogde gebruik zoals gedefinieerd in de bouwvoorschriften.
- Het rookkanaal/schoorsteen moet worden geïnspecteerd en geveegd om te bevestigen dat het systeem structureel geschikt is en vrij van obstakels.
- Als wordt aangenomen dat de schoorsteen eerder voor een openhaard is gebruikt, dan moet deze binnen een maand na regelmatig gebruik en na installatie voor een tweede keer worden geveegd om eventuele roetafzettingen te verwijderen die mogelijk zijn opgetreden als gevolg van verschillen in verbrandingssituaties.
- De rookgasafvoer van het gebouw moet voldoen aan de lokale bouwregelgeving.

- Schoorsteenlengtes en/of scheidingen moeten mogelijk worden verlengd in bepaalde gevallen waar blootstelling aan de wind, omringende hoge gebouwen, hoge bomen of hoge grond nadelige gevolgen kan hebben op de schoorsteentrek.
- Sluit het rookkanaal niet aan op of deel deze niet met een ander verwarmingstoestel.

Niet aansluiten op systemen met grote holtes of ruimtes groter dan 230 mm in het vierkant.

Er moet voor geschikte toegang worden gezorgd om het verzamelen en verwijderen van afval mogelijk te maken.

Het rookkanaal moet worden geveegd en geïnspecteerd wanneer de haard/kachel wordt geïnstalleerd.

SCHOORSTEEN TREK

De schoorsteentrek moet worden gecontroleerd met alle ramen en deuren gesloten en eventuele afzuig ventilatoren in deze of aangrenzende kamers op maximaal toerental.

SPUITBUSSEN

Gebruik geen spuitbus op of in de buurt van een brandende haard/kachel.

BRANDBARE MATERIALEN IN HUIS

Plaats geen foto's, tv's, schilderijen, porselein of andere brandbare voorwerpen aan de muur of in de buurt van de haard/kachel. Blootstelling aan hoge temperaturen veroorzaakt schade. Plaats meubels of andere items zoals drogende kleding niet dichterbij dan 1 meter van de voorkant van de haard/kachel.

WAARSCHUWING: Extra brandstof mag niet op of naast de haard/kachel worden bewaard. Houd alleen voldoende brandstof voor direct gebruik in de buurt en laat de haard/kachel nooit voor langere tijd onbeheerd achter met brandbaar materiaal in de buurt.

MATERIAALINFORMATIE OVER HET PRODUCT

De volgende stoffen, preparaten of onderdelen moeten gescheiden van andere AEEA worden verwijderd of afzonderlijk worden verwerkt in overeenstemming met artikel 4 van Richtlijn 75/442/EEG van de Raad van de EU..

Metal	Staal	Kan naar de milieustraat in uw plaats worden gebracht voor hergebruik om afval dat naar de stortplaats gaat te verminderen.
	Gietijzer	
Glas		Kan naar de milieustraat in uw plaats worden gebracht voor hergebruik om afval dat naar de stortplaats gaat te verminderen.
Vermiculieten stroken		Niet gevaarlijk materiaal. Vermiculiet kan worden vermalen en gebruikt als plantenstrooisel en as kan men composteren of afvoeren naar de milieustraat in uw plaats voor hergebruik om afval dat naar de stortplaats gaat te verminderen.
Koordafdichting		Koordafdichtingen worden gemaakt van vuurvaste keramische vezels, een materiaal dat veel gebruikt wordt voor deze toepassing. Beschermende kleding is niet nodig bij het hanteren van deze artikelen, maar het wordt aanbevolen om de normale hygiënevoorschriften, zoals niet roken, eten of drinken op de werkplek te volgen en altijd de handen te wassen voor het eten of drinken. Bij onderhoud van het apparaat wordt aanbevolen om de vervangen onderdelen niet klein te maken, maar goed te verpakken in stevige polyethyleen zakken en te etiketteren als 'vuurvaste keramische vezels'. Dit afval wordt geclassificeerd als stabiel, niet-reactief gevaarlijk afval en mag worden gestort op een erkende stortplaats.
Elektrische componenten	(Ventilatorkits, etc, indien van toepassing)	Afvoeren naar de milieustraat in uw plaats in overeenstemming met de AEEA-richtlijn.

FOR ENQUIRIES IN THE U.K (EXCLUDING NI):

Stovax Gazco Limited, Spitfire Avenue, Skypark, Clyst Honiton, Exeter, Devon, England EX5 2FR

Tel: (01392) 474011 E-mail: info@stovax.com

FOR ENQUIRIES IN EUROPE (INCLUDING NI):

Stovax Heating Group (NI) Ltd (Comp reg NI675194), 40 Linenhall Street, Belfast, BT2 8BA DX

400 NR Belfast Tel: +44 (0)1392 261990 E-mail: northernireland@stovax.com

E & O E

